

FITTINGS & HARDWARE





With the slogan 'Ever Evolving Quality' Axon started its journey in the Fall of 2018. Since the beginning of our foundation we have always been unbending about quality. Quality above all! We look for the best OEM factories around the world where leading building material sellers manufacture their goods and we bring them to Bangladesh Market with AXON trademark ensuring that the quality is kept intact yet the price is not out of reach.

BATHROOM FITTINGS (VALENTINA SERIES)



**SINGLE LEVER BASIN MIXER
WITHOUT POP UP WASTE**

**PRODUCT CODE : AXQBM
FINISH : CHROME PLATING**

**SINGLE LEVER LONG BASIN MIXER
WITHOUT POP UP WASTE**

**PRODUCT CODE : AXQBML
FINISH : CHROME PLATING**





SHOWER MIXER WITH DIVERTER

PRODUCT CODE : AXQSM D
FINISH : CHROME PLATING

SHOWER MIXER WITHOUT DIVERTER

PRODUCT CODE : AXQSM
FINISH : CHROME PLATING



BATHROOM FITTINGS (VALENTINA SERIES)



**BATH MIXER
WITHOUT HAND SHOWER**

**PRODUCT CODE : AXQBTM
FINISH : CHROME PLATING**

PILLAR TAP

**PRODUCT CODE : AXQPT
FINISH : CHROME PLATING**



BATHROOM FITTINGS (**FLOATANA** SERIES)



BASIN MIXER
WITHOUT POP UP WASTE

PRODUCT CODE : AXBMS01
FINISH : CHROME PLATING

SINGLE LEVER LONG BASIN MIXER
WITHOUT POP UP WASTE

PRODUCT CODE : AXBML02
FINISH : CHROME PLATING



■ ■ ■ BATHROOM FITTINGS (**FLOATANA** SERIES)



SHOWER MIXER WITH DIVERTER

**PRODUCT CODE : AXSM02
FINISH : CHROME PLATING**

SHOWER MIXER WITHOUT DIVERTER

**PRODUCT CODE : AXSM03
FINISH : CHROME PLATING**



BATHROOM FITTINGS (**FLOATANA SERIES**)



BATH MIXER
WITHOUT HAND SHOWER

PRODUCT CODE : AXBTM04
FINISH : CHROME PLATING

SPOUT WITH DIVERTER

PRODUCT CODE : AXBSWD
FINISH : CHROME PLATING



BATH SPOUT

PRODUCT CODE : AXBS05
FINISH : CHROME PLATING



BATHROOM FITTINGS (**FLOATANA** SERIES)



PILLAR TAP

**PRODUCT CODE : AXPTS
FINISH : CHROME PLATING**



PILLAR TAP

**PRODUCT CODE : AXPTM
FINISH : CHROME PLATING**



BIB COCK

**PRODUCT CODE : AXBC01
FINISH : CHROME PLATING**

BATHROOM FITTINGS (SHOWER COLLECTION)



SHOWER PANEL SET

**PRODUCT CODE : AXS1S2
FINISH : CHROME PLATING**





BATHROOM FITTINGS (SHOWER COLLECTION)



RAIN SHOWER WITHOUT SHOWER ARM

PRODUCT CODE : AX2711
FINISH : CHROME PLATING, ABS



RAIN SHOWER WITHOUT SHOWER ARM

PRODUCT CODE : AX0211
FINISH : CHROME PLATING, ABS

RECOMMENDED SHOWER ARM



PRODUCT CODE : AXS286
FINISH : CHROME PLATING



PRODUCT CODE : AXR400
FINISH : CHROME PLATING



PRODUCT CODE : AXR286
FINISH : CHROME PLATING



PRODUCT CODE : AXR186
FINISH : CHROME PLATING



HAND SHOWER SET

PRODUCT CODE : AXHS100
FINISH : CHROME PLATING

HEAD SHOWER SET

PRODUCT CODE : AXSH100
FINISH : CHROME PLATING



KITCHEN FITTINGS



SINK MIXER

PRODUCT CODE : AXKSM
FINISH : CHROME PLATING

SINK TAP

PRODUCT CODE : AXKST
FINISH : CHROME PLATING



KITCHEN SINK



SINGLE BOWL SINK

PRODUCT CODE : AXSBS01
FINISH : SUS304
THICKNESS : 2MM

DOUBLE BOWL SINK

PRODUCT CODE : AXSBS02
FINISH : SUS304
THICKNESS : 2MM





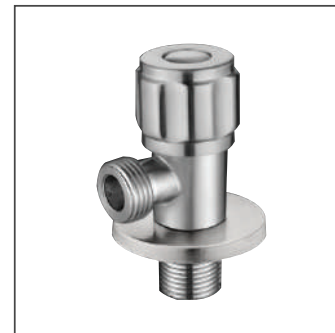
CONCEALED VALVE

**PRODUCT CODE : AXC
FINISH : CHROME PLATING**



ANGLE VALVE

**PRODUCT CODE : AXAV02
FINISH : BRUSHED FINISH**



ANGLE VALVE

**PRODUCT CODE : AXAV01
FINISH : BRUSHED FINISH**



GLASS SHELF

PRODUCT CODE : AXGS
FINISH : CHROME PLATING

CORNER GLASS SHELF
PRODUCT CODE : AXCSV101
FINISH : CHROME PLATING





TRIGGER SPRAY

PRODUCT CODE : AXTSC
FINISH : CHROME PLATING

TRIGGER SPRAY

PRODUCT CODE : AXTSW
COLOR : WHITE





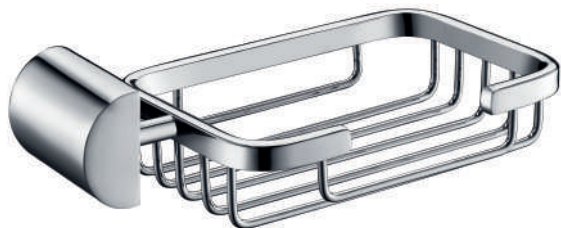
**TISSUE HOLDER
WITH TRAY**

PRODUCT CODE : AXTH-FLAT
FINISH : CHROME PLATING

PAPER HOLDER

PRODUCT CODE : AXPHV101
FINISH : CHROME PLATING





SOAP CASE

PRODUCT CODE : AXSBV101
FINISH : CHROME PLATING

**BASIN WASTE
SPRING SYSTEM**

PRODUCT CODE : AXBWC2001
FINISH : CHROME PLATING





TOWEL RAIL

PRODUCT CODE : AXTRV101
FINISH : CHROME PLATING

ROBE HOOK

PRODUCT CODE : AXRHV01
FINISH : CHROME PLATING





FLOOR DRAIN

PRODUCT CODE : AXFD015
PRODUCT SIZE : 5 INCH
FINISH : STAINLESS STEEL

FLOOR DRAIN

PRODUCT CODE : AXFD013
PRODUCT SIZE : 3 INCH
FINISH : STAINLESS STEEL





**AUTOMATIC
HAND DRYER**

**PRODUCT CODE : AXHD01
FINISH : WHITE**

AUTOMATIC SOAP DISPENSER

**PRODUCT CODE : AK1205
FINISH : WHITE**





HARDWARE



MAIN DOOR LOCK SET

PRODUCT CODE : AXSP00
DOOR THICKNESS: 35-45 MM
MATERIAL : SS 304
FINISH : SS MATT
CYLINDER WITH 3 PCS KEY

MAIN DOOR LOCK SET

PRODUCT CODE : AXSP01
DOOR THICKNESS: 35-45 MM
MATERIAL : SS 304
FINISH : ANTIQUE BRASS
CYLINDER WITH 3 PCS KEY





LEVER HANDLE LOCK SET

PRODUCT CODE : AXSP11
DOOR THICKNESS: 35-45 MM
MATERIAL : SS 304
FINISH : SS MATT
CYLINDER WITH 3 PCS KEY

LEVER HANDLE LOCK SET

PRODUCT CODE : AXSP12
DOOR THICKNESS: 35-45 MM
MATERIAL : SS 304
FINISH : SS MATT
CYLINDER WITH 3 PCS KEY





KNOB LOCK WITH KEY

PRODUCT CODE : AXKL34
MAIN BODY MATERIAL : SS304
LATCH MATERIAL : ZINC ALLOY
KEY : 3 PCS
FINISH : SS MATT

KNOB LOCK WITH KEY

PRODUCT CODE : AXKL35
MAIN BODY MATERIAL : SS304
LATCH MATERIAL : ZINC ALLOY
KEY : 3 PCS
FINISH : ANTIQUE BRASS





DEAD BOLT LOCK

PRODUCT CODE : AXBL98

MAIN BODY MATERIAL : SS304

LATCH MATERIAL : ZINK ALLOY

KEY : 3 PCS

FINISH : SS MATT

DEAD BOLT LOCK

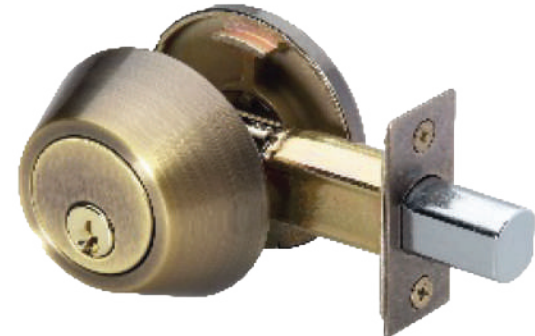
PRODUCT CODE : AXBL99

MAIN BODY MATERIAL : SS304

LATCH MATERIAL : ZINK ALLOY

KEY : 3 PCS

FINISH : ANTIQUE BRASS





TUBULAR LOCK

PRODUCT CODE : AXTL606
DOOR THICKNESS : 35-45 MM
MATERIAL : SS304
FINISH : SATIN NICKEL

TUBULAR LOCK

PRODUCT CODE : AXTL707
DOOR THICKNESS : 35-45 MM
MATERIAL : SS304
FINISH : ANTIQUE BRASS





DOOR HINGE

PRODUCT CODE : AXDH88
SIZE : 127X89X3 MM (4")
MATERIAL : SS
FINISH : SS MATT

DOOR HINGE

PRODUCT CODE : AXDH99
SIZE : 127X89X3 MM (5")
MATERIAL : SS
FINISH : SS MATT





HARDWARE



MAGNETIC DOOR STOPPER

PRODUCT CODE : AXDS33
MATERIAL : ZINK
FINISH : SS MATT

MAGNETIC DOOR STOPPER

PRODUCT CODE : AXDS44
MATERIAL : ZINK
FINISH : ANTIQUE BRASS





**DOOR VIEWER
WITH FLAP**

**PRODUCT CODE : AXDV68
MATERIAL : ZINC ALLOY
DOOR THICKNESS : 30-45MM
VIEWING ANGLE : 200°
FINISH : SS MATT**

**DOOR VIEWER
WITH FLAP**
**PRODUCT CODE : AXDV70
MATERIAL : ZINC ALLOY
DOOR THICKNESS : 30-45MM
VIEWING ANGLE : 200°
FINISH : ANTIQUE BRASS**





SIDE MOUNTED DRAWER RUNNER

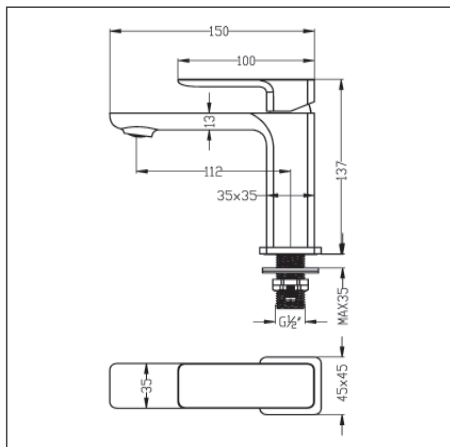
PRODUCT CODE : V400, V450, V500
FIXING : SIDE MOUNTED
OPERATION : SOFT CLOSING
FINISH : ZINC PLATED
SIZE : 400MM, 450MM, 500MM

BOTTOM MOUNTED DRAWER RUNNER

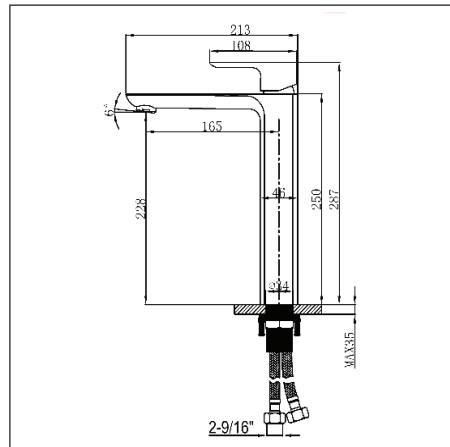
PRODUCT CODE : F300, F350, F400, F450, F500
FIXING : BOTTOM MOUNTED
OPERATION : SOFT CLOSING
FINISH : ZINC PLATED
SIZE : 300MM, 350MM, 400MM, 450MM, 500MM



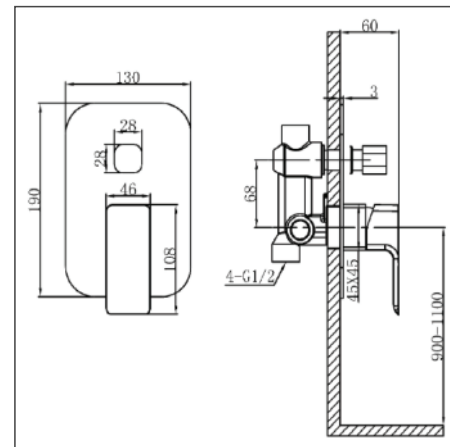
BATHROOM FITTINGS & ACCESSORIES (PRODUCT DRAWING)



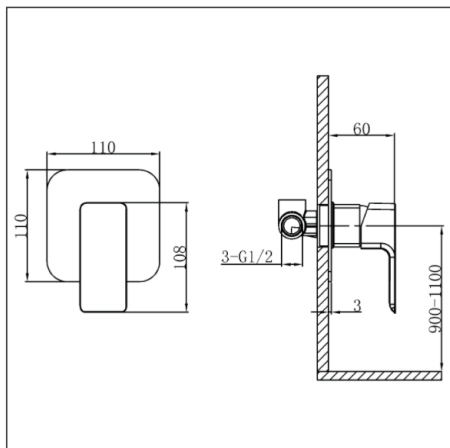
PRODUCT CODE : AXQBM



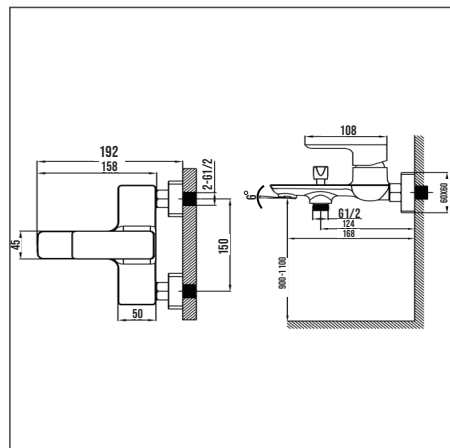
PRODUCT CODE : AXQBML



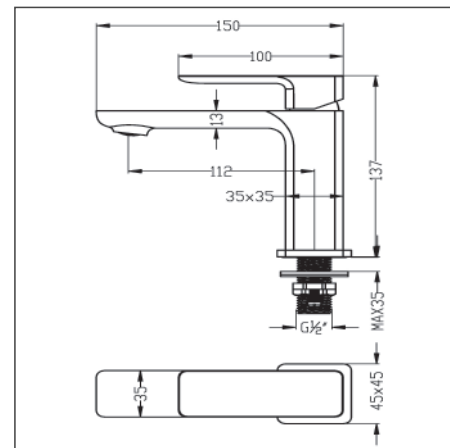
PRODUCT CODE : AXQSMD



PRODUCT CODE : AXQSM

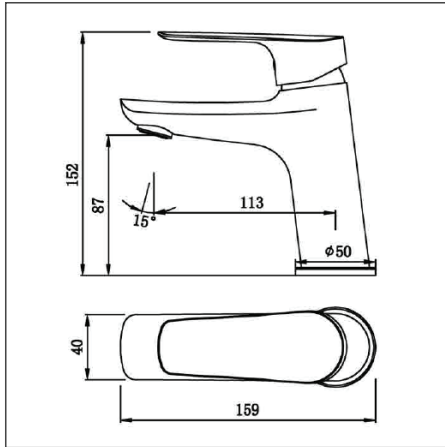


PRODUCT CODE : AXQBTM

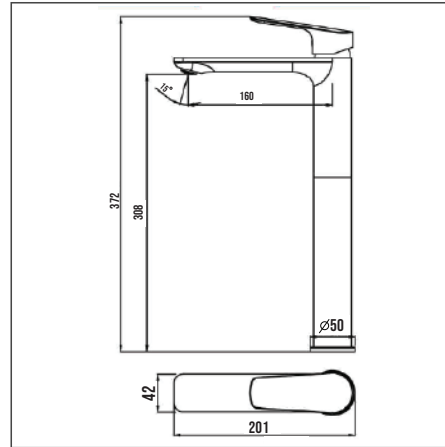


PRODUCT CODE : AXQPT

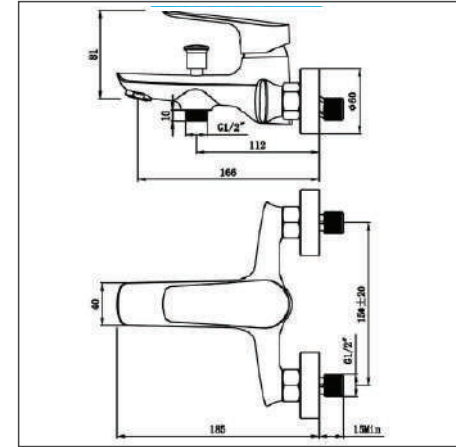
BATHROOM FITTINGS & ACCESSORIES (PRODUCT DRAWING)



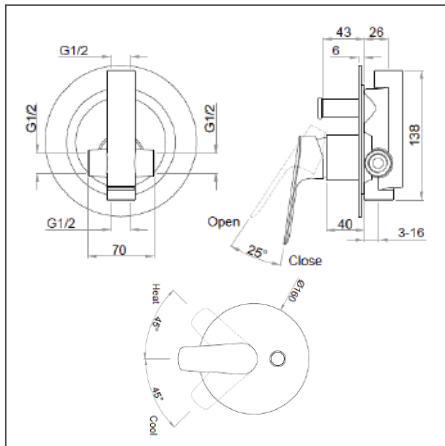
PRODUCT CODE : AXBMS01



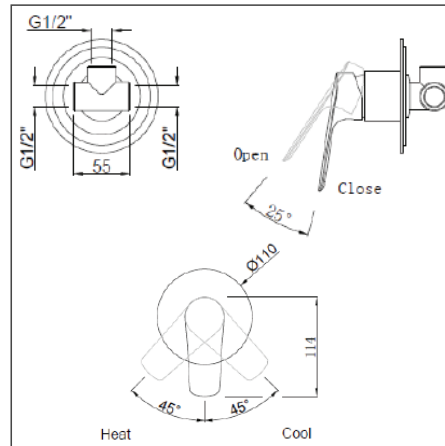
PRODUCT CODE : AXBML02



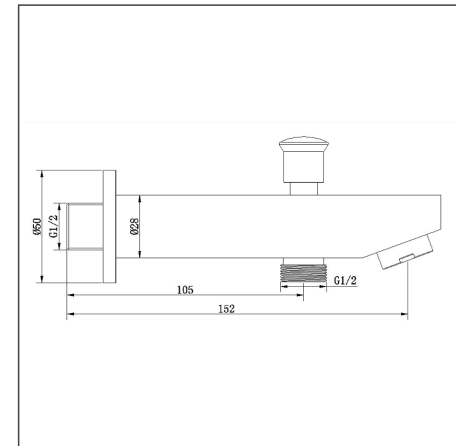
PRODUCT CODE : AXBTM04



PRODUCT CODE : AXSMD02

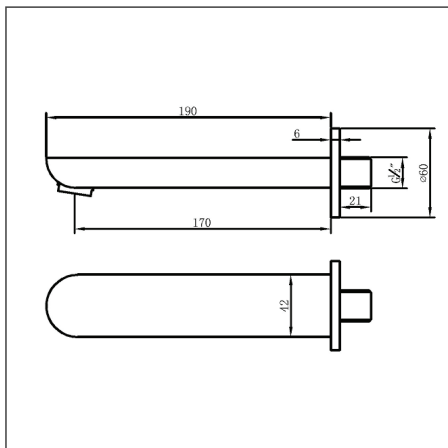


PRODUCT CODE : AXSM03

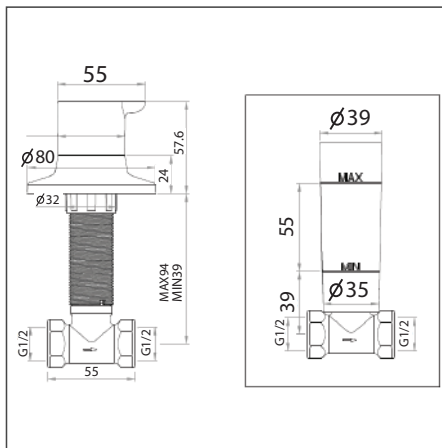


PRODUCT CODE : AXBSWD

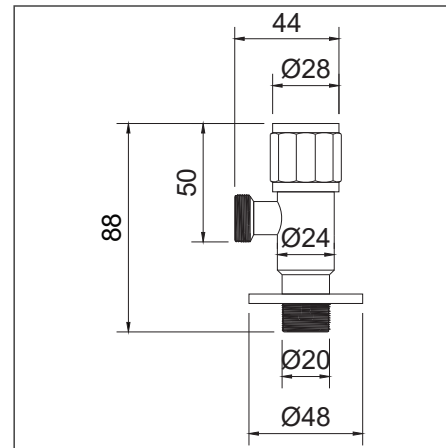
BATHROOM FITTINGS & ACCESSORIES (PRODUCT DRAWING)



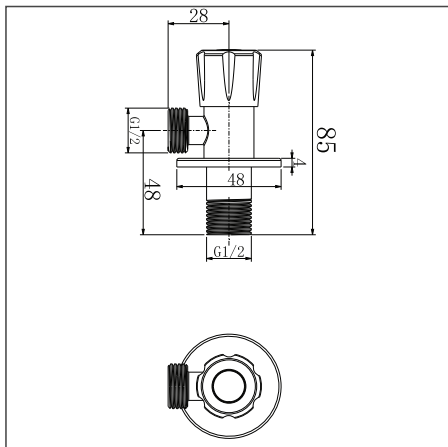
PRODUCT CODE : AXBS05



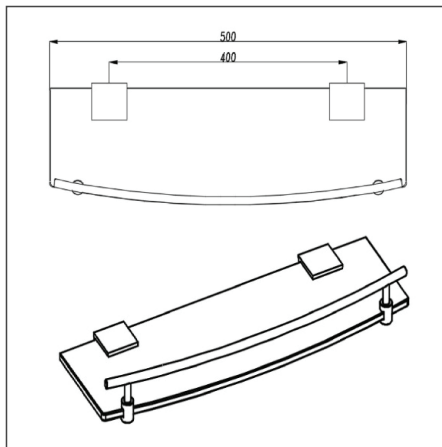
PRODUCT CODE : AXCV



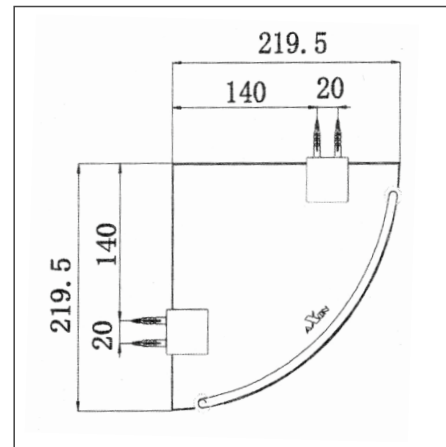
PRODUCT CODE : AXAV01



PRODUCT CODE : AXAV02

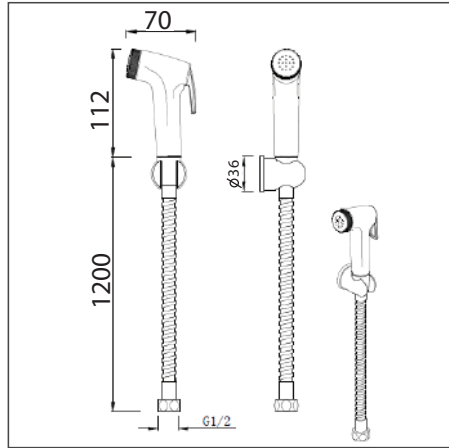


PRODUCT CODE : AXGS

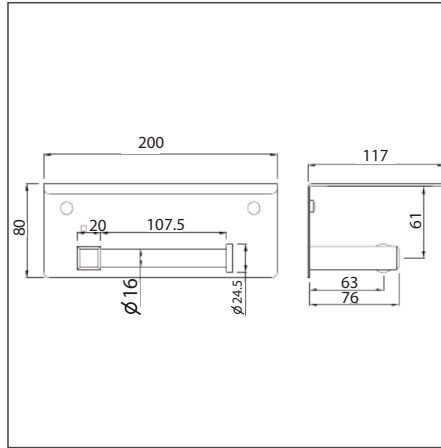


PRODUCT CODE : AXCSV101

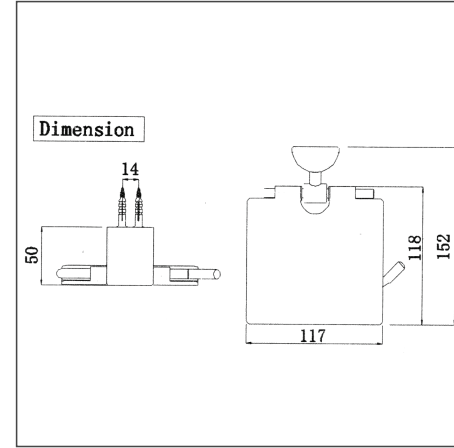
BATHROOM FITTINGS & ACCESSORIES (PRODUCT DRAWING)



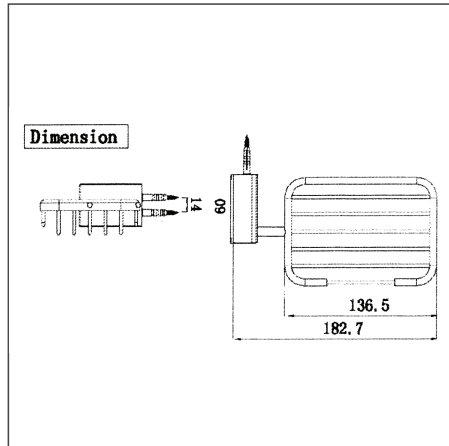
PRODUCT CODE : AXTSC & AXTSW



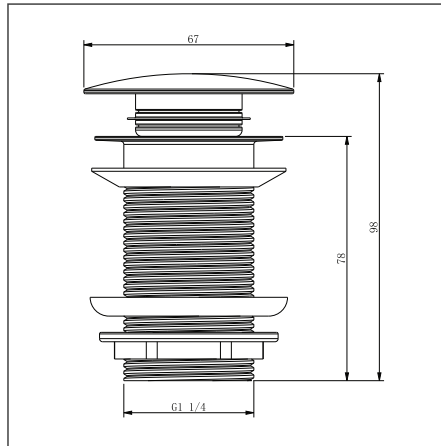
PRODUCT CODE : AXTH-FLAT



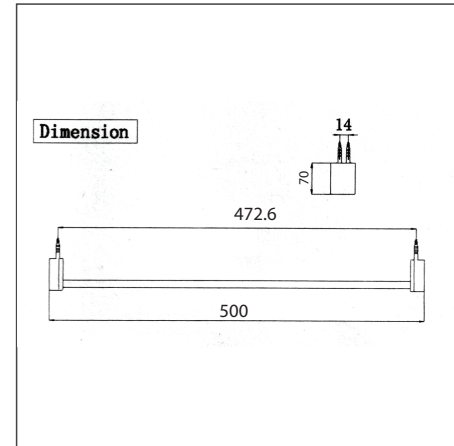
PRODUCT CODE : AXPHV101



PRODUCT CODE : AXSBV101

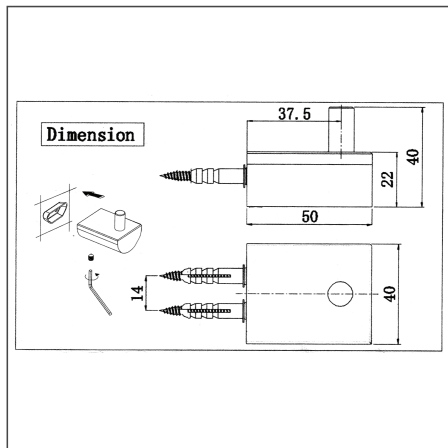


PRODUCT CODE : AXBWC2001

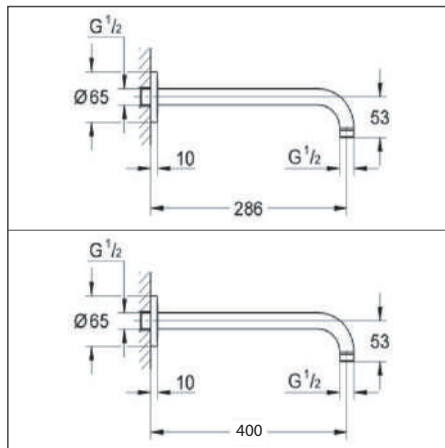


PRODUCT CODE : AXTRV101

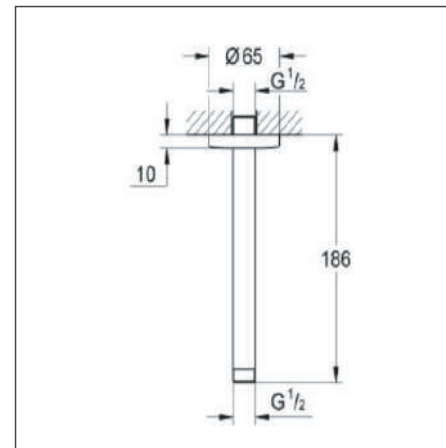
BATHROOM FITTINGS & ACCESSORIES (PRODUCT DRAWING)



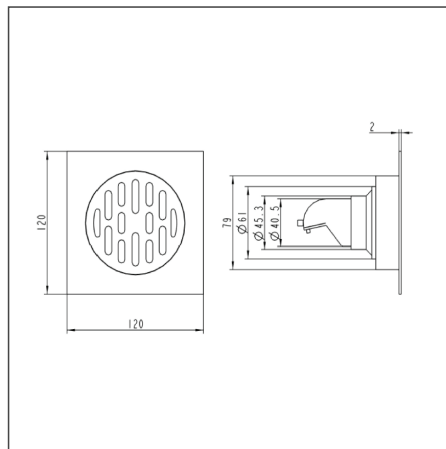
PRODUCT CODE : AXRHV01



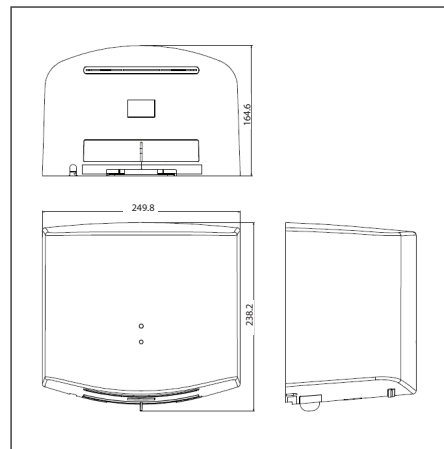
PRODUCT CODE : AXR286 & AXR400



PRODUCT CODE : AXR186

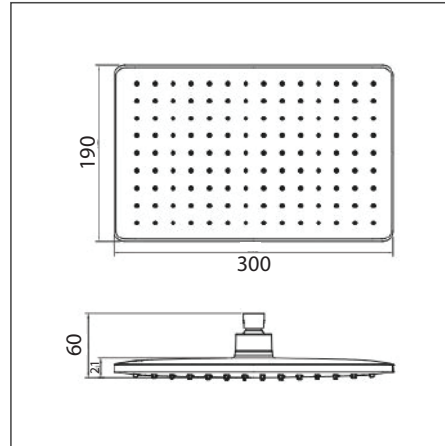
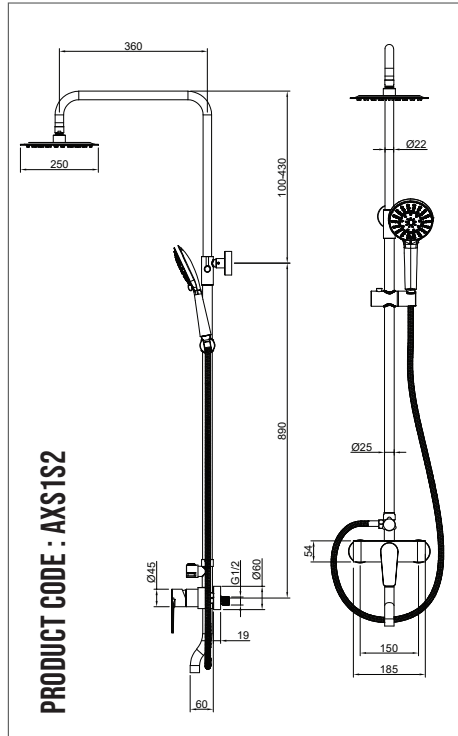


PRODUCT CODE : AXFD015

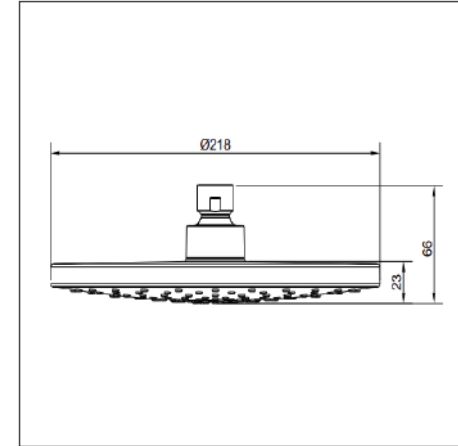


PRODUCT CODE : AXHD01

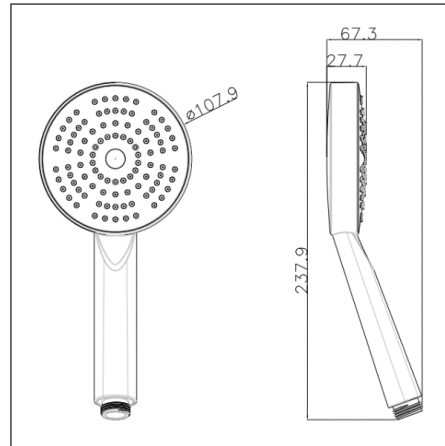
BATHROOM FITTINGS - SHOWER COLLECTION (PRODUCT DRAWING)



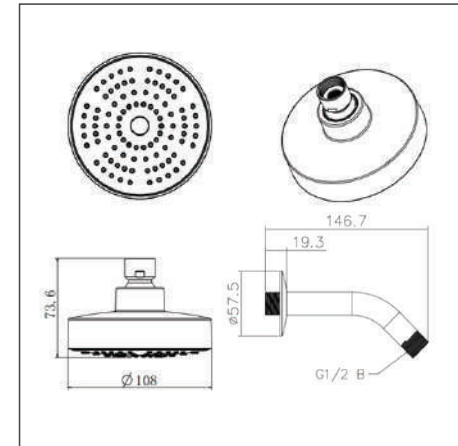
PRODUCT CODE : AX2711



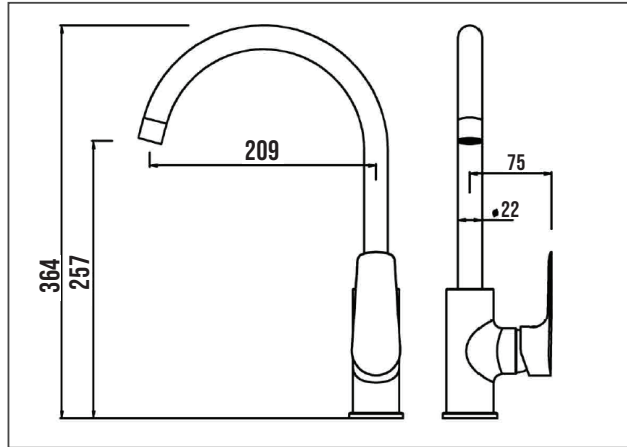
PRODUCT CODE : AX0211



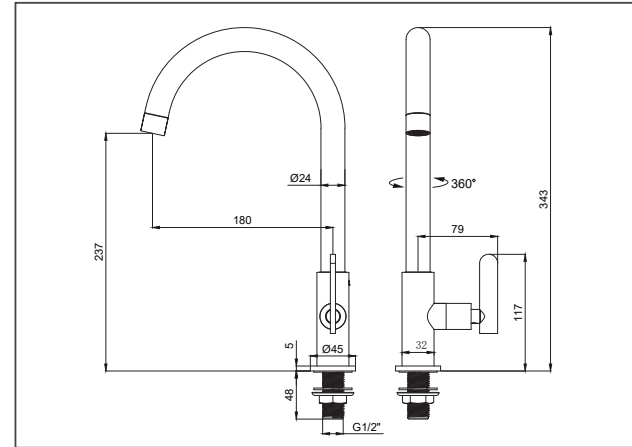
PRODUCT CODE : AXHS100



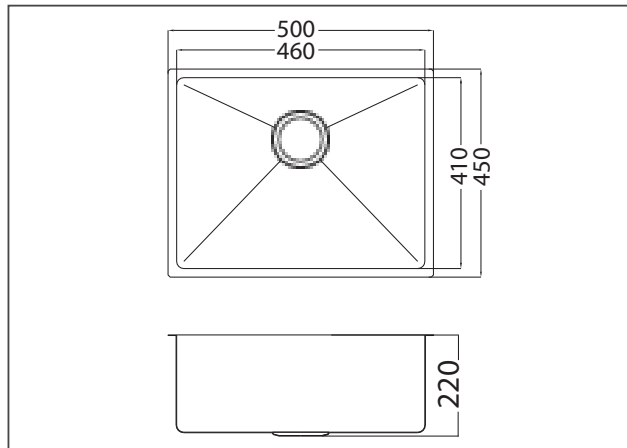
PRODUCT CODE : AXSH100



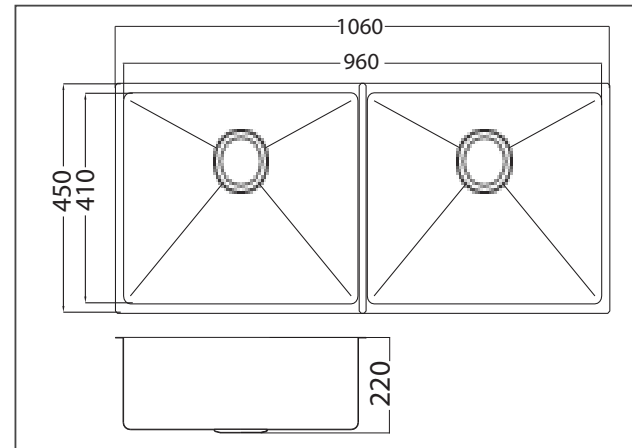
PRODUCT CODE : AXKSM



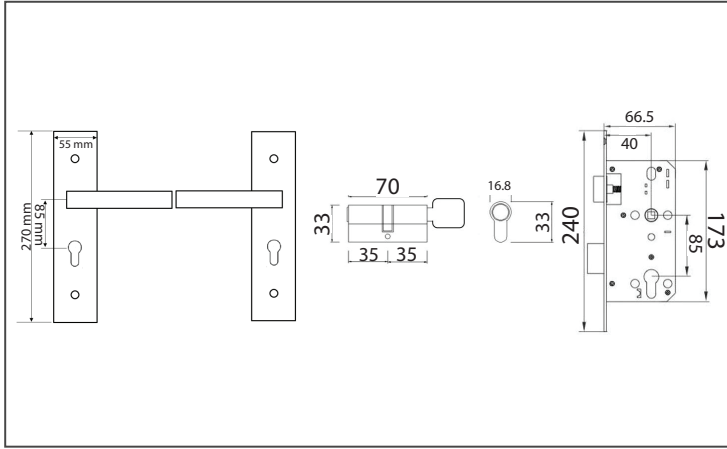
PRODUCT CODE : AXKST



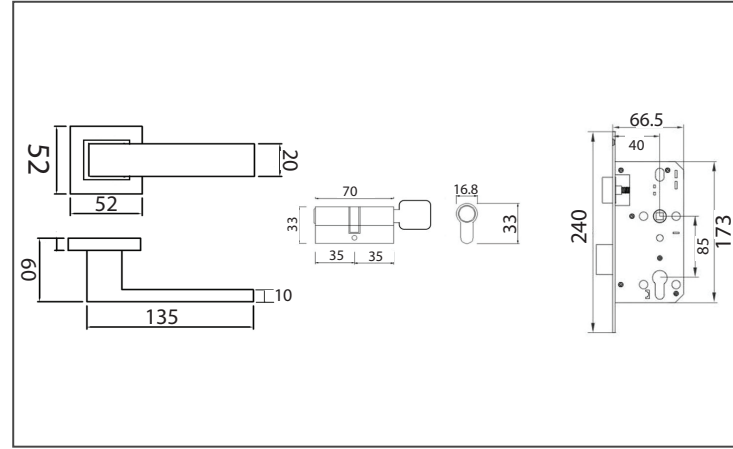
PRODUCT CODE : AXSBS01



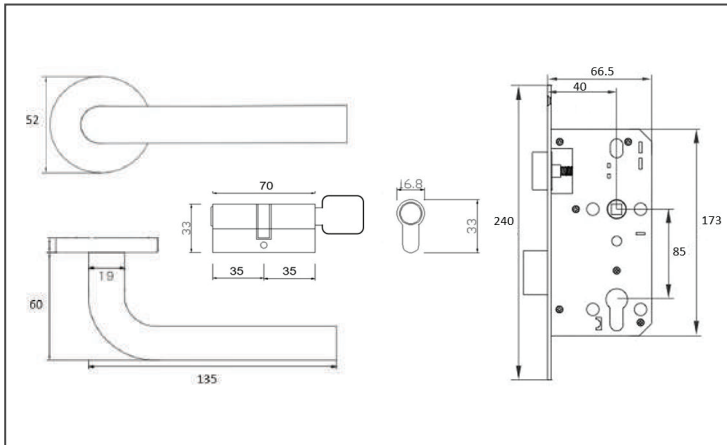
PRODUCT CODE : AXSBS02



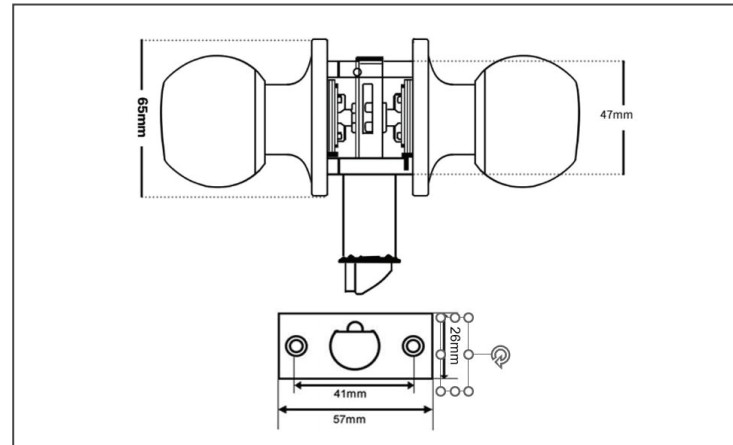
PRODUCT CODE : AXSP00 & AXSP01



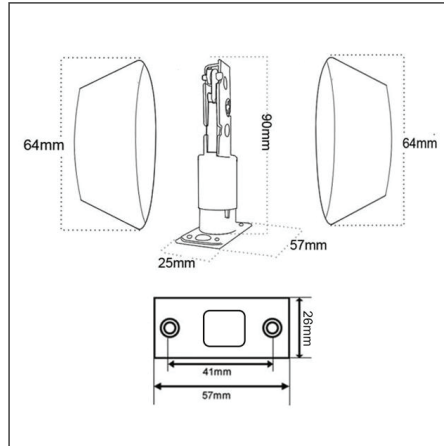
PRODUCT CODE : AXSP11



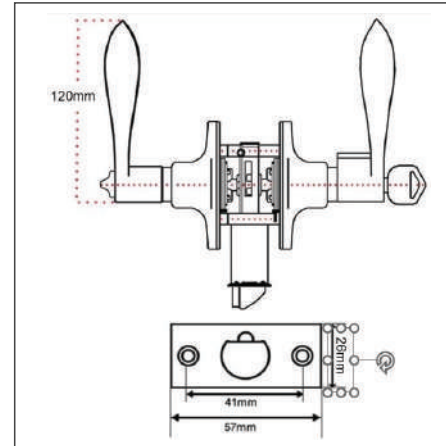
PRODUCT CODE : AXSP12



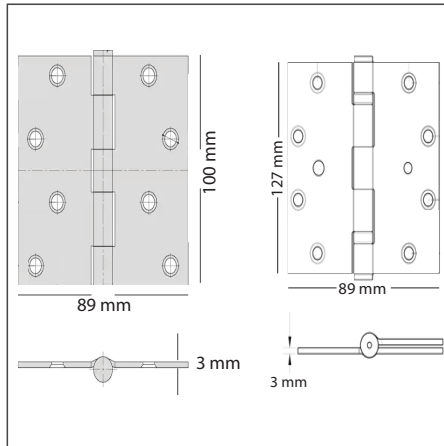
PRODUCT CODE : AXKL34 & AXKL35



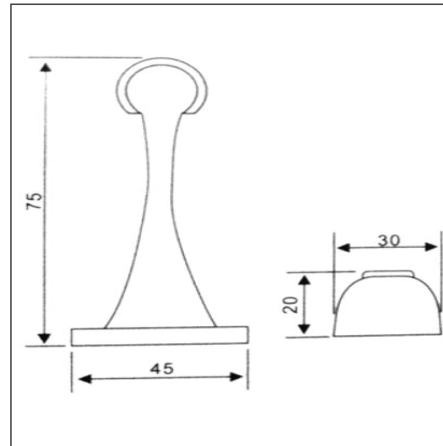
PRODUCT CODE : AXBL98 & AXBL99



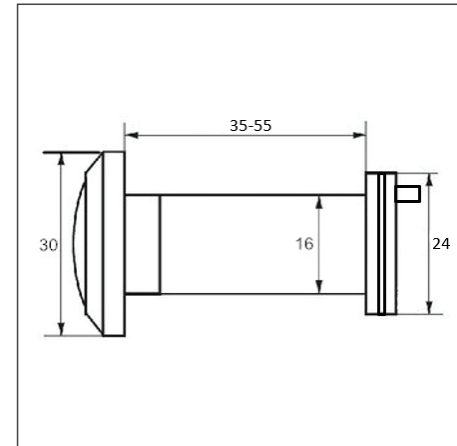
PRODUCT CODE : AXTL606 & AXTL707



PRODUCT CODE : AXDH88 & AXDH99



PRODUCT CODE : AXDS33 & AXDS44



PRODUCT CODE : AXDV68 & AXDV70

Why AXON

- HIGHLY RESPONSIVE TECHNICAL TEAM FOR QUICK AFTER SALES SERVICE AND INSTALLATION GUIDELINES.
- EUROPEAN STANDARD BATHROOM APPLIANCES.
- HEAVY DUTY ARCHITECTURAL HARDWARE FOR HOME AND OFFICE USE.
- BATHROOM FITTINGS MADE OUT OF HIGHLY DURABLE BRASS AND STAINLESS STEEL.
- 0.3 MICRON (μm) COATING ON BATHROOM FITTINGS TO ENSURE STRONG RESISTANCE AGAINST RUST AND AN ELEGANT LOOK.
- INTERNATIONAL QUALITY PRODUCT AT AN AFFORDABLE PRICE.
- 3 YEARS WARRANTY ON HARDWARES & 5 YEARS WARRANTY ON BATHROOM FITTINGS.

