

Architectural Hardware



**THE
COMPLETE
HÄFELLE**

www.hafeleindia.com





Introduction

Dear Customer,

Häfele has now pioneered the way fittings are sold in India for over 10 years. Being a German company, our foremost concern has always been to offer our customers, premium quality products at competitive prices paired with solution based services. For many years now, one of the core competencies of Häfele Worldwide has been the development of door hardware for all imaginable applications. The door hardware range at Häfele alone runs into thousands of articles with in-house and partnered brands.

I am very proud to be able to present you with the first edition of our Architectural Hardware Fitting's Master Catalogue. As you can see it comes in a comprehensive format and includes all the products falling under our door hardware category presented to you with utmost detailing and a clear structure so that you can find the fitting you are looking for with ease and accuracy.

You will find a lot of new and exciting fittings in this new catalogue - the majority of which are now available ex stock in Mumbai. These are attractive, hard wearing and reliable products which will make your building look good and which will perform their function well for many years to come - we guarantee it!

In the last few years, India's building industry has grown with blinding speed. The initial momentum has clearly grown into a fully blown boom. Building methods are also improving and - thankfully - with that the quality of building materials which are being used. The trend of using better quality and more sophisticated hardware fittings has also picked up and the value they add to a building and its interiors is now better understood.

Häfele India has grown beyond our wildest dreams and we now have offices in most metros in India. Our staff has more than tripled in the last few years and we will continue to add more talent to our team to provide better and more services to our customers across the country. We have recently opened 4 flagship showrooms in Mumbai, Delhi, Bangalore and Kolkata and are in the process of moving to a new showroom premise in Colombo in early 2015. With this, we reinstate our promise to reach our customers with our comprehensive range of products displayed in a world-class retail environment coupled with strategically align services at every stage of the construction project.

So please enjoy this comprehensive guide for quality hardware fittings and let us have any recommendations in regard to products which you want us to add or any other improvements you would like to see in the services we provide.

As always the HÄFELE Team is looking forward to being at your service.

Warmest regards

A handwritten signature in black ink, appearing to read 'Jürgen Wolf', written over a white background.

Jürgen Wolf
Managing Director
Häfele India Pvt. Ltd.

1 Door Handles



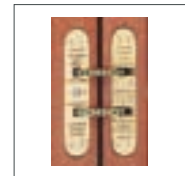
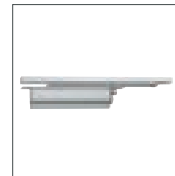
2 Locking & Security



3 Door Hinges



4 Door Closers



5 Glass Door Fittings



6 Toilet Partitions

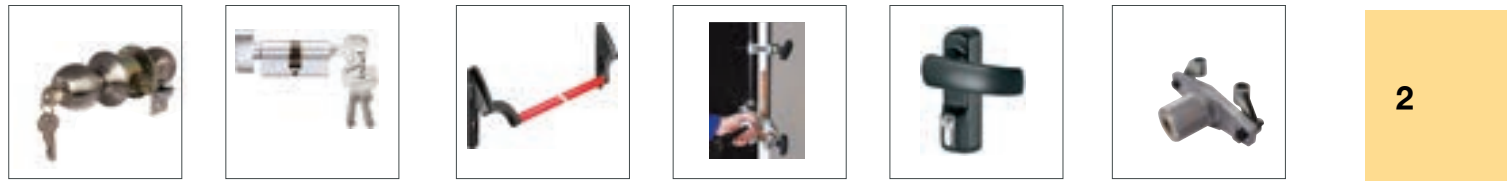


7 Window Fittings



8 Door Accessories





Why Hafele? Instant Supply

A perfectly functioning logistics system is mission-critical to an organization that carries thousands of different articles in its assortment and ships country wide. Hafele India houses a State-of-the-Art Logistic Facility with excellent integration of information flow, material handling, packaging, inventory, transportation, warehousing, and is a hub for hardware technology all under one roof.

Located over a space of 100,000sqft in Bhiwandi, the warehouse is centrally managed for India and its neighbouring countries under Indian operation. Almost 10,000 articles stored over 12000 locations within the premises are in constant inventory and is ready to be shipped from this location. A specialized team of over 30 personnel fill over 200 orders daily. 95% of orders that are received before 2 pm for package shipment are filled the same day and delivered the following day. At the Hafele Warehouse, though dispatch is done through Surface, Air and Water, 10 vehicles run on a daily basis to ship the desired quantities in the shortest possible time.

Starting 2014, we have widened our logistics services by opening Regional Logistics Centres in Gurgaon (New Delhi) and Bangalore respectively. These centres cater to the logistics demand from the North and South regions respectively. Spread over a square feet area of 25,000, these centres house a team of over 12 employees each; who specialize in warehouse operations and manage timely deliveries of orders on a day-to-day basis. With the establishment of these Regional Centres we are now able to meet the specific demands of the North and South regions and have stocked all the articles that move fast in these specific markets. By achieving an extent of decentralization of services through these centres, we can now assure our customers faster, safer and more accurate delivery of orders.



We reserve the right to alter specifications without notice (HIN Architectural Hardware 2015).



The art of trustment & partnership



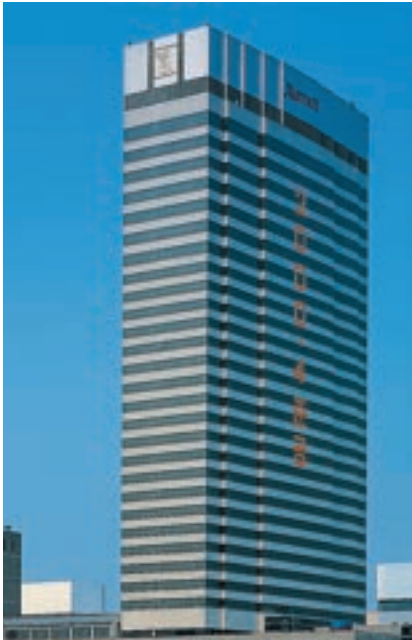
Hilton, Sydney, Australia



Burj Al Arab, Dubai,
United Arab Emirates



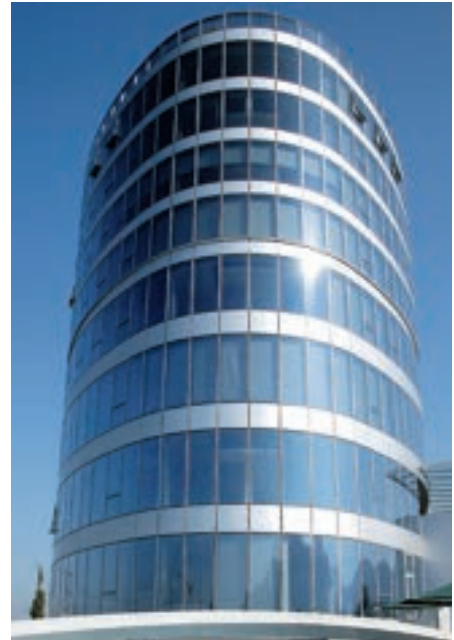
Sheraton Krabi Beach Resort,
Krabi, Thailand



JW Marriott, Seoul, Korea



The Setai South Beach,
Miami, USA



Panoramahaus Hotel,
Dornbirn, Austria



J.W. Marriott, Mumbai



Hyatt Regency, Mumbai

We reserve the right to alter specifications without notice (HIN Architectural Hardware 2015).



Park Hyatt Baku, Azerbaijan



Hotel Termag, Jahorina Mountain, Bosnia-Herzegovina



Four Season, Mumbai



H2O-Hoteltherme, Bad Waltersdorf, Austria,

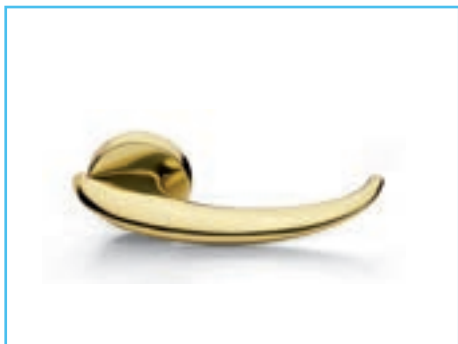


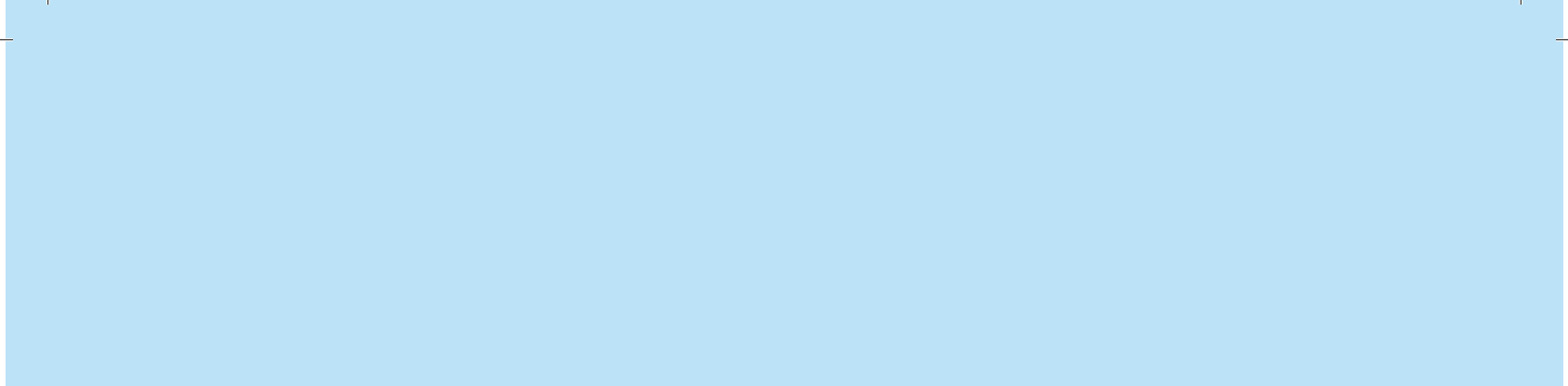
Intercontinental, Mumbai

We reserve the right to alter specifications without notice (HIN Architectural Hardware 2015).

1

Door Handles





Lever handles - StarTec/ Manital/ HOPPE

1



Lever handle sets - StarTec SS 304 Grade.....1.10
Lever handle sets - StarTec SS 316 Grade.....1.36
Lever handle sets - Manital.....1.42
Lever handle sets - HOPPE.....1.70

Pull handles



Pull handle sets.....1.88
Pull handles with lock.....1.100

Flush Handles



Wooden Door Flush handles.....1.101

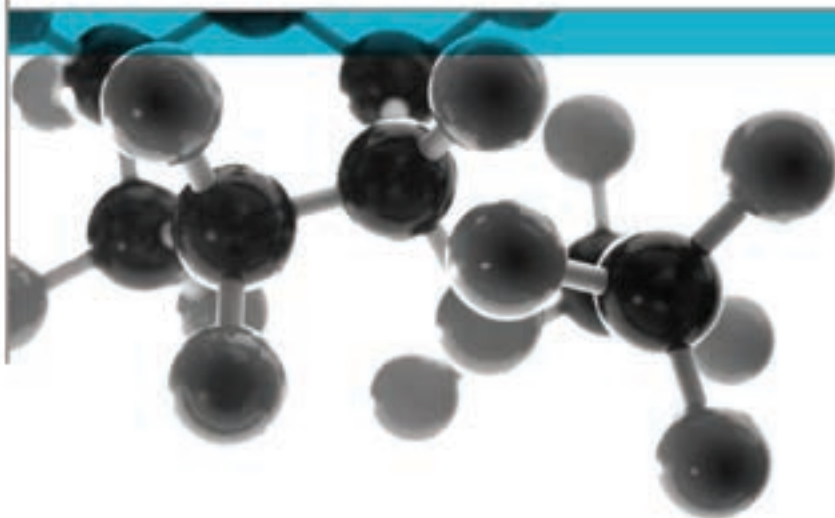
We reserve the right to alter specifications without notice (HIN Architectural Hardware 2015).

Exova Warringtonfire
Key Industrial Park
Fernside Road
Willenhall
West Midlands
WV13 3YA

T: +44 (0) 1902 722 122
F: +44 (0) 1902 727 242
E: willenhall@exova.com
W: www.exova.com



BS EN 1906:2012



ASSESSMENT OF SPRUNG LEVER HANDLES

A Report To: Hafele GMBH & Co. KG
Postfach 1237
D-72192 Nagold
Germany
Document Reference: WIL 339610 - 1

Date: 17/06/2014

Copy: Final

Issue No.: 1

Page 1

Testing
Advising
Assuring

This report is issued in accordance with our terms and conditions, a copy of which is available on request.

Registered Office: Exova (UK) Ltd, Lochend Industrial Estate, Newbridge, Midlothian EH28 8PL, United Kingdom. Reg No. SC 70428



ASSESSMENT CONCLUSIONS

Samples of: Sprung Lever Furniture

Manufacturer Häfele GMBH & Co KG

Product : Sprung Lever Furniture

Model : 903.91.586, 903.92.586, 903.93.586, 903.91.587, 903.92.587, 903.93.587, 903.91.596, 903.92.596, 903.93.596, 903.91.597, 903.92.597, 903.93.597, 903.91.606, 903.92.606, 903.93.606, 903.91.607, 903.92.607, 903.93.607, 903.91.626, 903.92.626, 903.93.626, 903.91.627, 903.92.627, 903.93.627, 903.91.666, 903.92.666, 903.93.666, 903.91.667, 903.92.667, 903.93.667, 903.91.686, 903.92.686, 903.93.686, 903.91.687, 903.92.687, 903.93.687, 903.91.716, 903.92.716, 903.93.716, 903.91.717, 903.92.717, 903.93.717.

903.91.452, 903.92.452, 903.93.452, 903.91.453, 903.92.453, 903.93.453, 903.91.372, 903.92.372, 903.93.372, 903.91.373, 903.92.373, 903.93.373, 903.91.374, 903.92.374, 903.93.374, 903.91.375, 903.92.375, 903.93.375, 903.91.378, 903.92.378, 903.93.378, 903.91.379, 903.92.379, 903.93.379, 903.91.252, 903.92.252, 903.93.252, 903.91.253, 903.92.253, 903.93.253, 903.91.434, 903.92.434, 903.93.434, 903.91.435, 903.92.435, 903.93.435, 903.91.442, 903.92.442, 903.93.442, 903.91.443, 903.92.443, 903.93.443.

903.91.316, 903.92.316, 903.93.316, 903.91.317, 903.92.317, 903.93.317, 903.91.332, 903.92.332, 903.93.332, 903.91.333, 903.92.333, 903.93.333, 903.91.334, 903.92.334, 903.93.334, 903.91.335, 903.92.335, 903.93.335, 903.91.464, 903.92.464, 903.93.464, 903.91.465, 903.92.465, 903.93.465, 903.91.490, 903.92.490, 903.93.490, 903.91.491, 903.92.491, 903.93.491, 903.91.494, 903.92.494, 903.93.494, 903.91.495, 903.92.495, 903.93.495, 903.91.516, 903.92.516, 903.93.516, 903.91.517, 903.92.517, 903.93.517

have been assessed in accordance with:

BS EN 1906:2012 (Building Hardware – Lever Handles and Knob Furniture)

By Exova Warringtonfire [A UKAS accredited Testing Laboratory (No. 0621) and EC Notified Body number 1104]

At Key Industrial Park, Fernside Rd., Willenhall, West Midlands. WV13 3YA.

Results and comments as detailed below:

Clause No.	Description	Compliance
5	Requirements at Grade 2	
5.2	Check of Spindle and Fastening Elements	Yes
5.5	Free play	Yes
5.5.2	Safety requirements	Yes
5.6	Free angular movement or misalignment	Yes
5.7	Torque of return mechanism	Yes
5.8	Durability of mechanism	Yes
5.9	Repeat of Axial strength of lock furniture and fixing	Yes
5.10	Repeat of Free play measurement	Yes
5.11	Repeat of Free angular movement or misalignment	Yes
5.12	Repeat of Torque of return mechanism	Yes
5.13	Axial strength for safety furniture(optional)	No
5.3	Rotational Torque strength	Yes
5.14	Corrosion Resistance	Yes
8	Marking	Yes
C.2	Requirements for lock furniture for use on fire doors	Yes

No inferences can be made regarding performance against other requirements of this standard

All results were assessed from report number WIL 339610

Tests marked " NA" are not applicable to the type of device under test.

Document No.: WIL339610 - 1

Page No.: 2 of 17

Author: A Fairfield

Issue Date: 17/06/2014

Client: Häfele GMBH & Co KG

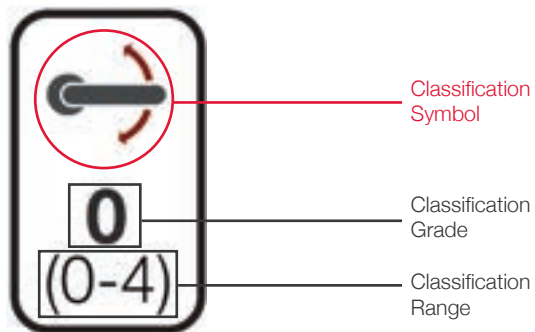
Issue No.: Final



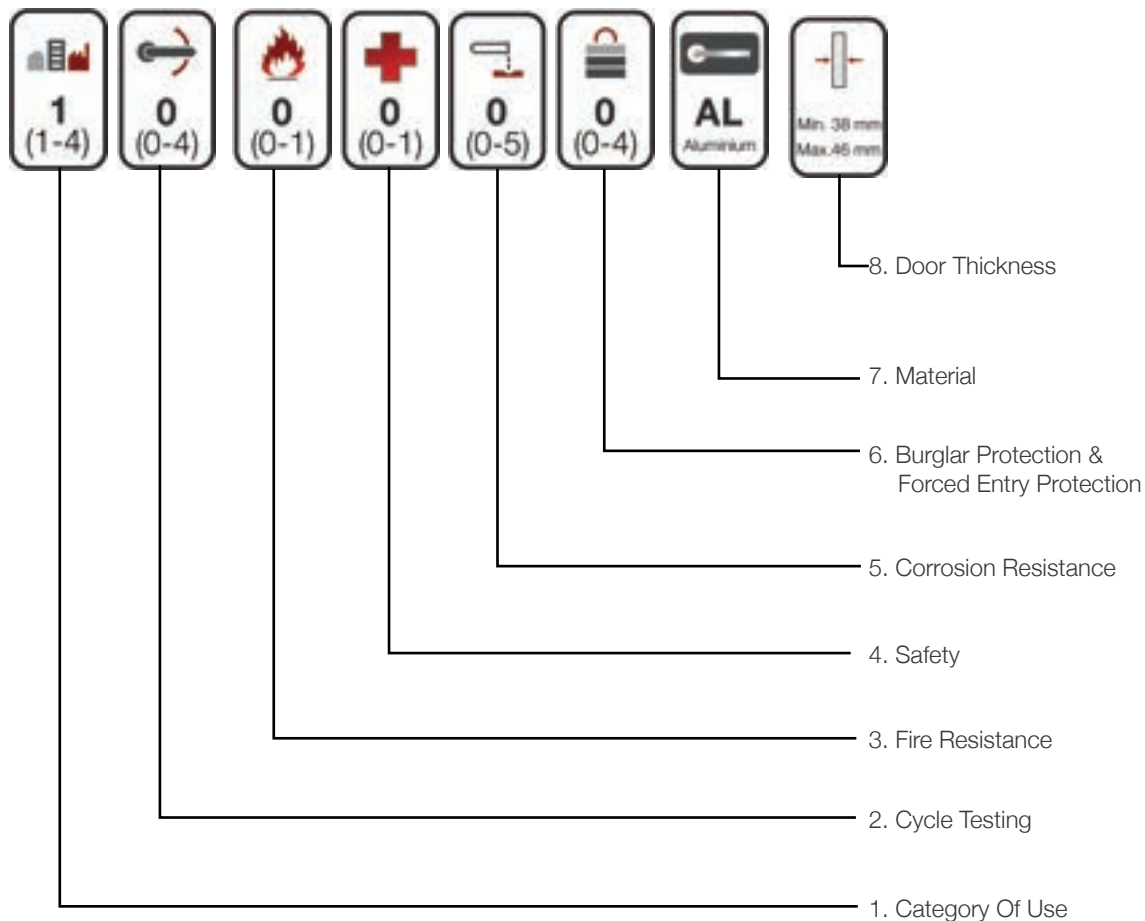
Lever handles

Häfele presents a contemporary range of lever handles by Hoppe (Germany), Manital (Italy) and Startec (Germany) which are preferred by architects and interior designers all over the world. These world class handles are artistically sculpted into exquisite designs and are available in a variety of elegant finishes in order to appeal to one's aesthetic sense and also provide complete functionality. The range encompasses handles made from a variety of materials like stainless steel, aluminium, brass and zinc alloy – each material having unique properties that suit specific environments. We also have a special range of Coastal series lever handles made of stainless steel grade 316, that are most suitable in adverse corrosive environments, with the promise of unmatched durability. Our holistic offering in lever handles flatters an assortment of settings and yet, caters to individual preferences.

Classification of Lever Handles Mneumonics:



Mnemonic Positioning Guide :





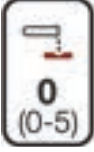


We reserve the right to alter specifications without notice (HIN Architectural Hardware 2015).

Lever handles




1

Meaning of individual positions in classification key:

Classification key	Possible grades	Meaning
<p>1. Category Of Use</p> 	1 – 4	<p>1 = Moderate usage frequency by persons who are inclined to take the utmost care and are unlikely to use the fittings incorrectly, e.g. interior doors in residential buildings</p> <p>2 = Moderate usage frequency by persons who are inclined to take the utmost care but may possibly use the fittings incorrectly, e.g. interior doors in office buildings</p> <p>3 = Frequent use by the public or other persons who are not inclined to take care and are extremely likely to use the fittings incorrectly, e.g. doors in office buildings with public access</p> <p>4 = For use on doors that are frequently subjected to applied force or property damage, e.g. football stadiums, oil rigs, in military bases or public toilets</p>
<p>2. Cycle Testing</p> 	Handles falling under the general category: 0 – 4	<p>0 = No classification</p> <p>1 = 50000 test cycles</p> <p>2 = 75000 test cycles</p> <p>3 = 100,000 test cycles</p> <p>4 = 200,000 test cycles</p>
<p>3. Fire Rated</p> 	0 - 1	<p>0 = Not permitted for use on fire resistant and smoke control doors</p> <p>1 = Suitable for use on fire resistant and smoke control doors</p>
<p>4. Safety</p> 	0 - 1	<p>0 = For normal purposes</p> <p>1 = In event of safety application</p>
<p>5. Corrosion Resistance</p> 	0 – 5	<p>0 = No defined corrosion resistance</p> <p>1 = Low corrosion resistance</p> <p>2 = Average corrosion resistance</p> <p>3 = High corrosion resistance</p> <p>4 = Extremely high corrosion resistance</p> <p>5 = Extraordinarily high corrosion resistance</p>

We reserve the right to alter specifications without notice (HIN Architectural Hardware 2015).

Lever handles

Classification key	Possible grades	Meaning
<p>6. Forced entry resistance / Burglar protection</p> 	0 – 4	<p>0 = Fittings that are not suitable for use on burglar-proof doors</p> <p>1 = Low forced entry resistance</p> <p>2 = Moderate forced entry resistance</p> <p>3 = High forced entry resistance</p> <p>4 = Extremely high forced entry resistance</p>
<p>7. Handle Material</p> 	AL SS BR ZA	<p>AL= Aluminium</p> <p>SS=Stainless Steel Grade 304 / Stainless Steel Grade 316</p> <p>BR=Brass</p> <p>ZA=Zinc Alloy</p>
<p>8. Min. / Max. Door Thickness</p> 	<p>Min. 38 mm; Max. 46 mm</p> <p>Min. 40 mm; Max. 52 mm</p> <p>Min. 37 mm; Max. 42 mm</p>	<p>Applicable for door thickness 38 mm - 46 mm</p> <p>Applicable for door thickness 40 mm - 52 mm</p> <p>Applicable for door thickness 37 mm - 42 mm</p>




Special Order:

- These handles will only be made available in case of special orders
- Order confirmed only after full advance payment
- Order deliver time from Warehouse: As per Logistical conditions of the country
- For further details on Special Order contact your respective Sales Representatives

We reserve the right to alter specifications without notice (HIN Architectural Hardware 2015).

Lever handle sets: StarTec

1


	राष्ट्रीय परीक्षण शाला (प.क्षे.) मुंबई National Test House (W. R.) Mumbai	
GOVERNMENT OF INDIA NATIONAL TEST HOUSE F-10 MIDC, ANDHERI(E), MUMBAI-400 093. Phone : 28327276 28352341 28352350 FAX : 022-28341767 E-mail : nthwr@nith.net.in Website : http://nith.nic.in		
20236		0046
TEST CERTIFICATE		Test Certificate No: BTH/CP/2013/110 A Date of Issue 09/04/2014 Code No. Page 1 of 2 Pages
1. Issued to (Name and address of the organisation)	:	M/s. HAFELE India Pvt. Ltd., Office No.3, Building "A", BETA, I Think Techno Campus, Off J.V.L.R, Opp. Kanjurmarg Station, Kanjurmarg East, Mumbai-400 042.
2. Party's Ref. No.	:	Nil dated 31 st July 2013
3. Description of the test item	:	Handle lever SS 304
4. Identification of the test item	:	Sample marked as 'B'
5. Date of receipt of test item	:	Sample received on dated 13.02.2014 in one box.
6. Identification of Test Method	:	IS: 101 (pt.6 / Sec.1)1988
7. Sampling Procedure where relevant	:	N.A.
		

We reserve the right to alter specifications without notice (HIN Architectural Hardware 2015).

Lever handle sets: StarTec


1

BTM/CT/2013/110/A Page 2 of 2 DATE: 09/04/2014



राष्ट्रीय परीक्षण शाला (प.क्षे.) मुंबई
National Test House (W. R.) Mumbai

20256 0046

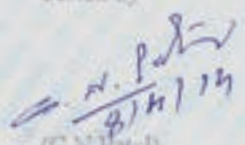


As desired, the samples have been tested on the lines of IS 101 (pt.6 Sec.1) 1988 for Salt Spray test ,5% NaCl Solution, with the results noted below:

Result of test

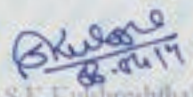
Sr.No.	Sample Description and marked as	Duration	Observation
1	Lever Handle, SS304 , marked as 'B'	500 hrs	No Signs of corrosion was observed

Tested by



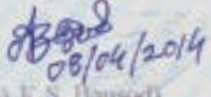
(C.N. Patel)
Scientific Officer (Chem)

Checked by



(Dr.S.K.Kulkarni)
Scientist SD(Chem.)

Approved by



(A.K.S. Bansod)
Scientist SD (Chem)

Note: 1. This test certificate or report may not be published for commercial purposes except in full unless permission for the publication of an approved abstract has been obtained from the Director,National Test House, Andheri(E), Mumbai .

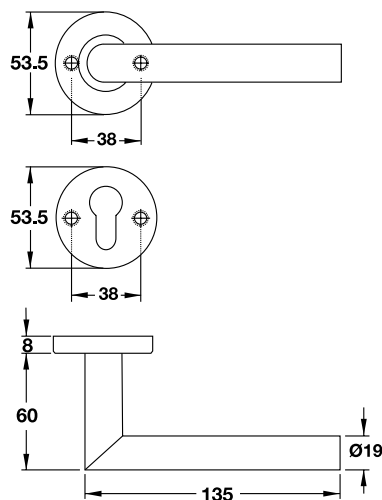
Note: 2. This Test Certificate applies only to sample tested as mentioned in the "PRESS NOTE" shown at Page (v) in the Govt. of India Publication "Schedule of Testing Charges levied by "National test House and related information"

We reserve the right to alter specifications without notice (HIN Architectural Hardware 2015).

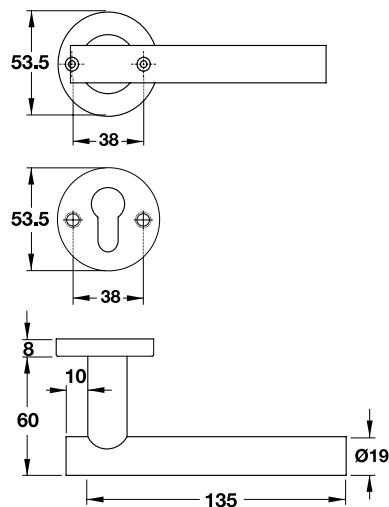
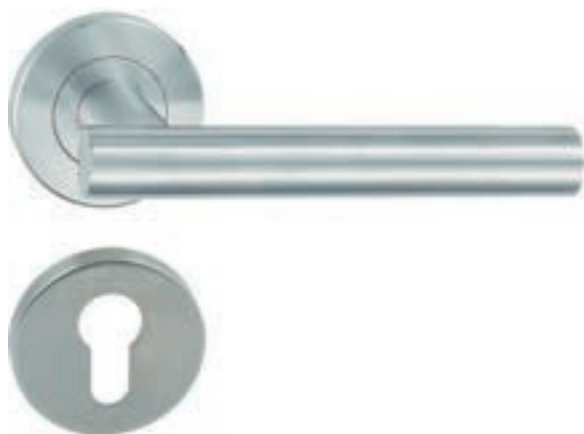
Lever handle sets: StarTec



1



Material/finish	Door Thickness	Article No.
Stainless Steel Matt	35-50mm	903.92.556
Stainless Steel Polished	35-50mm	903.92.557



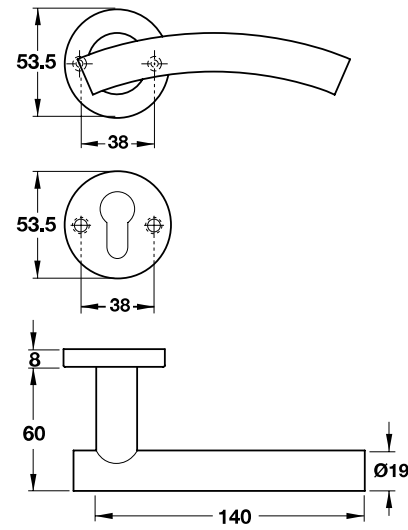
Material/finish	Door Thickness	Article No.
Stainless Steel Matt	35-50mm	903.92.566
Stainless Steel Polished	35-50mm	903.92.567

We reserve the right to alter specifications without notice (HIN Architectural Hardware 2015).

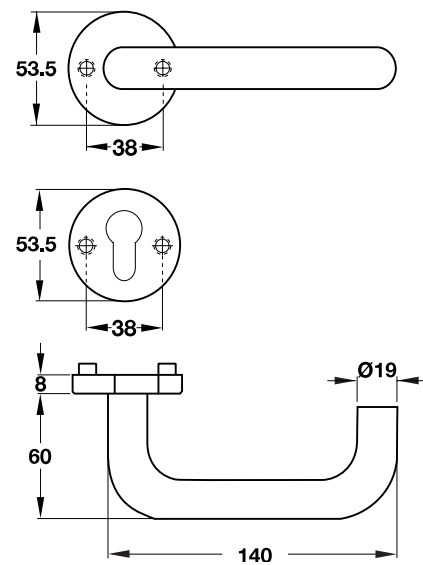
Lever handle sets: StarTec



1



Material/finish	Door Thickness	Article No.
Stainless Steel Matt	35-50mm	903.92.576
Stainless Steel Polished	35-50mm	903.92.577



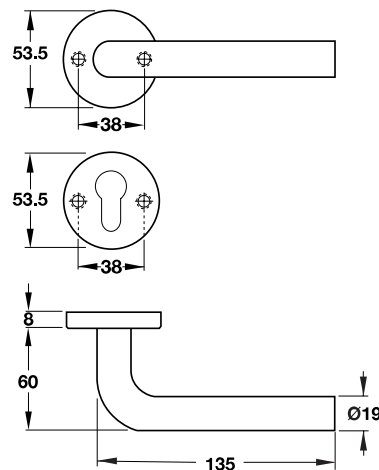
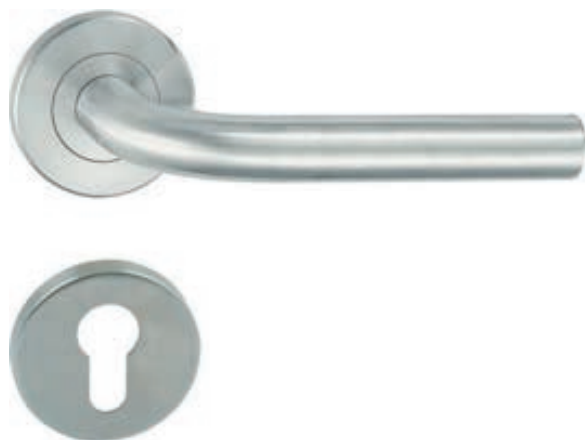
Material/finish	Door Thickness	Article No.
Stainless Steel Matt	35-50mm	903.92.586
Stainless Steel Polished	35-50mm	903.92.587

We reserve the right to alter specifications without notice (HIN Architectural Hardware 2015).

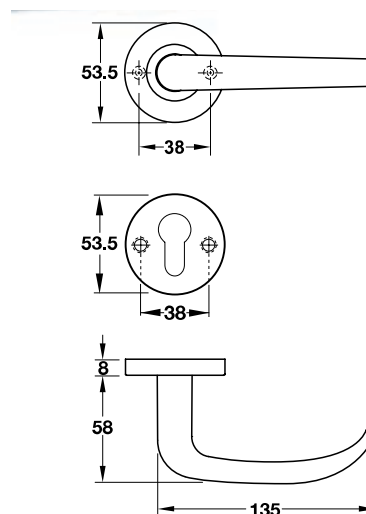
Lever handle sets: StarTec



1



Material/finish	Door Thickness	Article No.
Stainless Steel Matt	35-50mm	903.92.596
Stainless Steel Polished	35-50mm	903.92.597



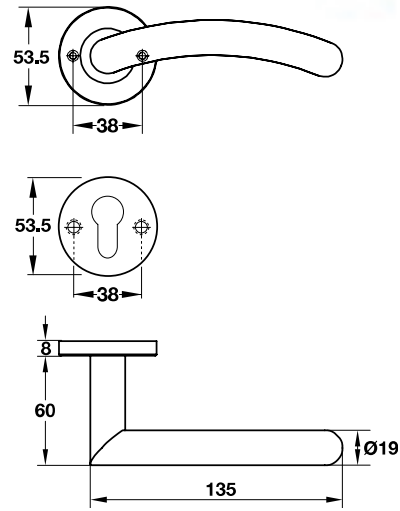
Material/finish	Door Thickness	Article No.
Stainless Steel Matt	35-50mm	903.92.616
Stainless Steel Polished	35-50mm	903.92.617

We reserve the right to alter specifications without notice (HIN Architectural Hardware 2015).

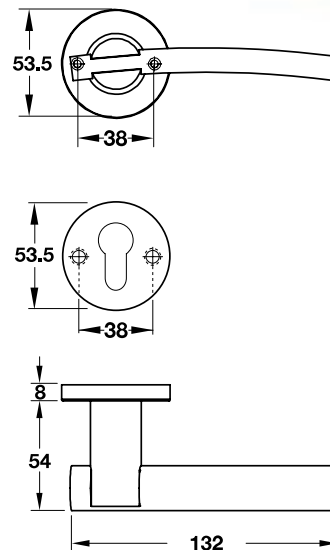
Lever handle sets: StarTec



1



Material/finish	Door Thickness	Article No.
Stainless Steel Matt	35-50mm	903.92.606
Stainless Steel Polished	35-50mm	903.92.607



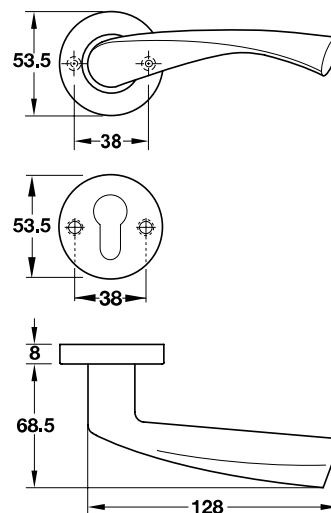
Material/finish	Door Thickness	Article No.
Stainless Steel Matt	35-50mm	903.92.626
Stainless Steel Polished	35-50mm	903.92.627

We reserve the right to alter specifications without notice (HIN Architectural Hardware 2015).

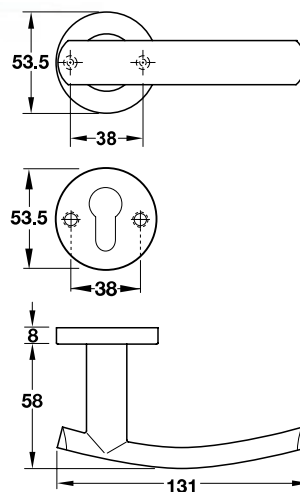
Lever handle sets: StarTec



1



Material/finish	Door Thickness	Article No.
Stainless Steel Matt	35-50mm	903.92.636
Stainless Steel Polished	35-50mm	903.92.637



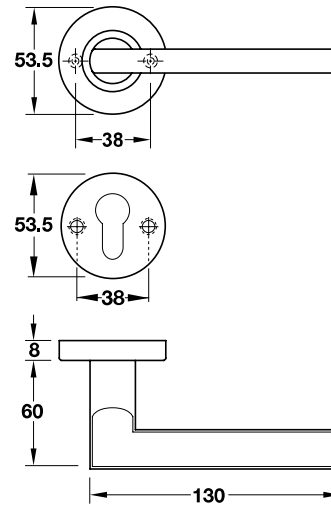
Material/finish	Door Thickness	Article No.
Stainless Steel Matt	35-50mm	903.92.656
Stainless Steel Polished	35-50mm	903.92.657

We reserve the right to alter specifications without notice (HIN Architectural Hardware 2015).

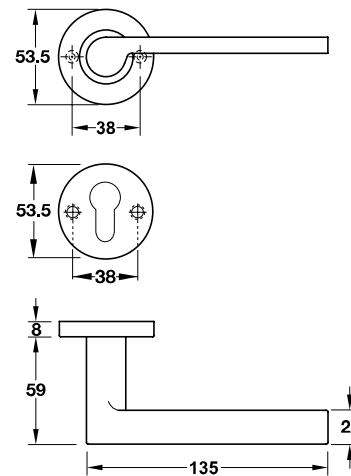
Lever handle sets: StarTec



1



Material/finish	Door Thickness	Article No.
Stainless Steel Matt	35-50mm	903.92.646
Stainless Steel Polished	35-50mm	903.92.647



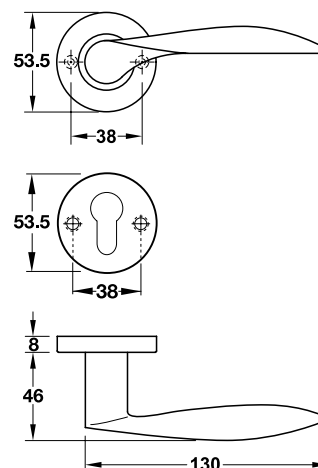
Material/finish	Door Thickness	Article No.
Stainless Steel Matt	35-50mm	903.92.666
Stainless Steel Polished	35-50mm	903.92.667

We reserve the right to alter specifications without notice (HIN Architectural Hardware 2015).

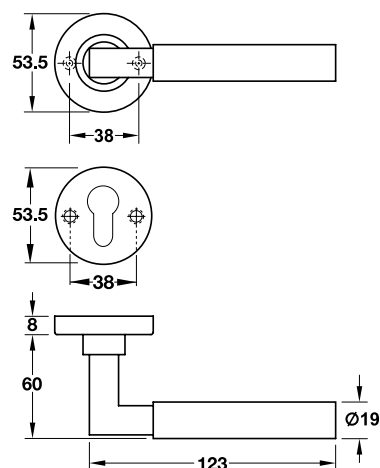
Lever handle sets: StarTec



1



Material/finish	Door Thickness	Article No.
Stainless Steel Matt	35-50mm	903.92.676
Stainless Steel Polished	35-50mm	903.92.677



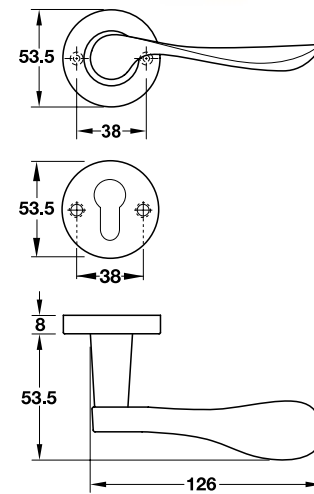
Material/finish	Door Thickness	Article No.
Stainless Steel Matt	35-50mm	903.92.696
Stainless Steel Polished	35-50mm	903.92.697

We reserve the right to alter specifications without notice (HIN Architectural Hardware 2015).

Lever handle sets: StarTec

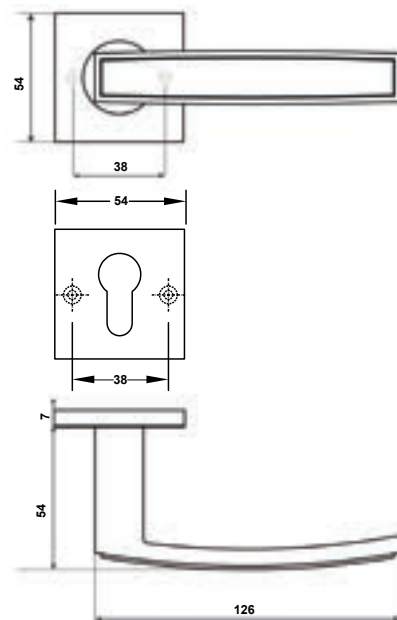


1



Material/finish	Door Thickness	Article No.
Stainless Steel Matt	35-50mm	903.92.686
Stainless Steel Polished	35-50mm	903.92.687

We reserve the right to alter specifications without notice (HIN Architectural Hardware 2015).



Material/finish	Door Thickness	Article No.
Stainless Steel Matt	35-50mm	903.92.716
Stainless Steel Polished	35-50mm	903.92.717

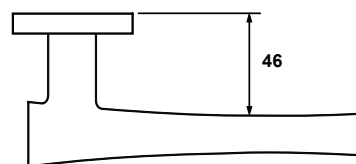
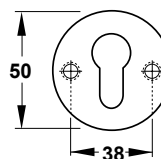
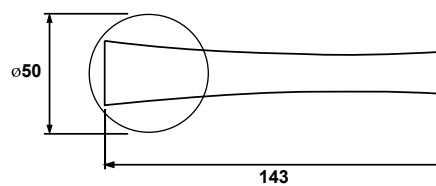
Lever handle sets: StarTec



1

EKON

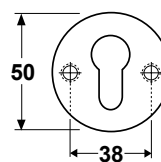
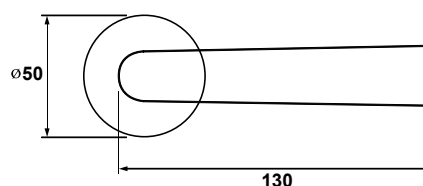
Lever Handle on rose & cylinder escutcheon



Material/finish	Door Thickness	Article No.
Stainless Steel Matt	40-52mm	903.99.049

KOOM

Lever Handle on rose & cylinder escutcheon



Material/finish	Door Thickness	Article No.
Stainless Steel Matt	40-52mm	903.99.051

We reserve the right to alter specifications without notice (HIN Architectural Hardware 2015).

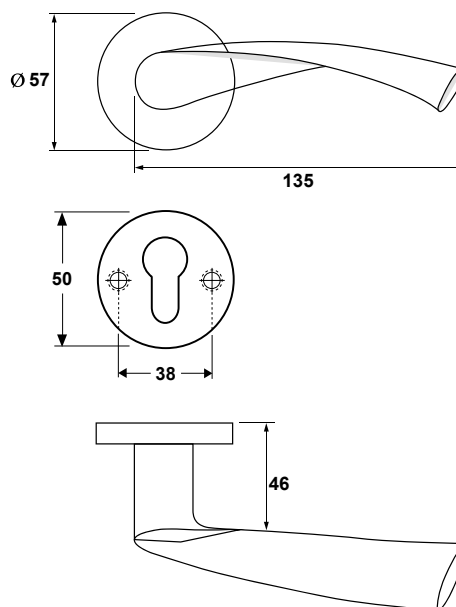
Lever handle sets: StarTec



1

SENSU

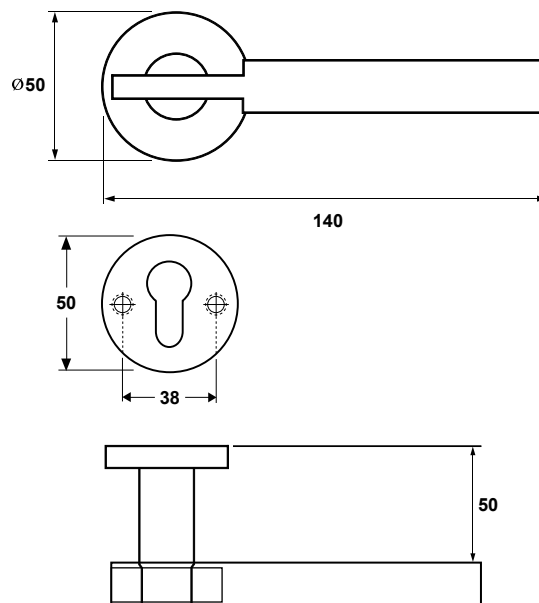
Lever Handle on rose & cylinder escutcheon



Material/finish	Door Thickness	Article No.
Stainless Steel Matt	40-52mm	903.99.050

LIRBAN

Lever Handle on rose & cylinder escutcheon



Material/finish	Door Thickness	Article No.
Stainless Steel Matt	40-52mm	903.99.053

We reserve the right to alter specifications without notice (HIN Architectural Hardware 2015).

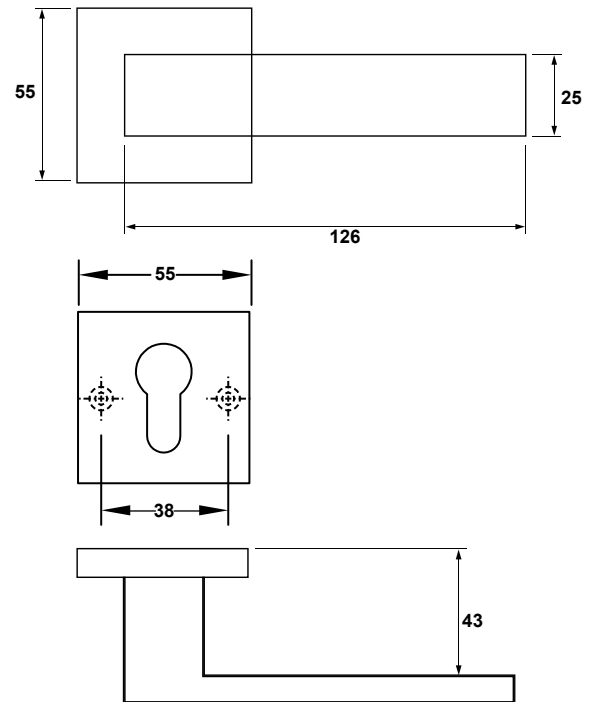
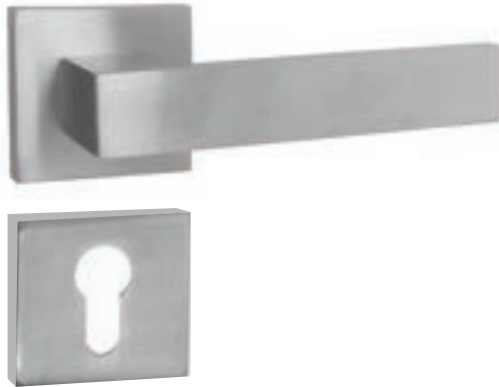
Lever handle sets: StarTec



1

CABANA

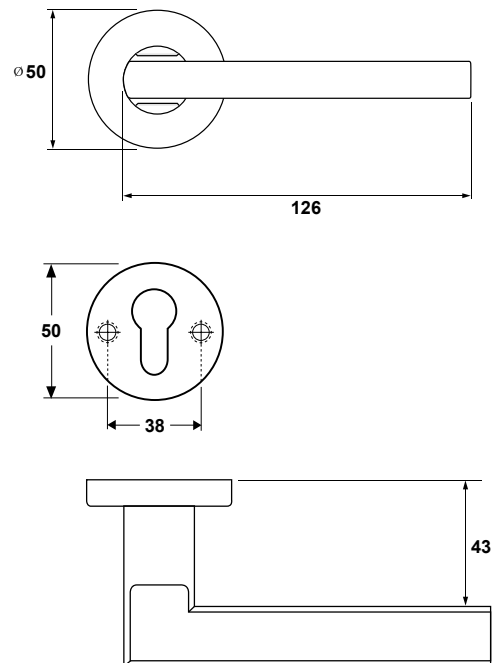
Lever Handle on rose & cylinder escutcheon



Material/finish	Door Thickness	Article No.
Stainless Steel Matt	40-52mm	903.99.330

TICO

Lever Handle on rose & cylinder escutcheon



Material/finish	Door Thickness	Article No.
Stainless Steel Matt	40-52mm	903.99.462

We reserve the right to alter specifications without notice (HIN Architectural Hardware 2015).

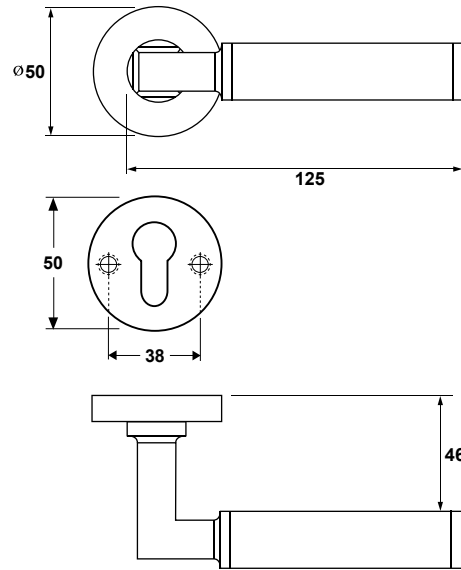
Lever handle sets: StarTec



1

COLE

Lever Handle on rose & cylinder escutcheon

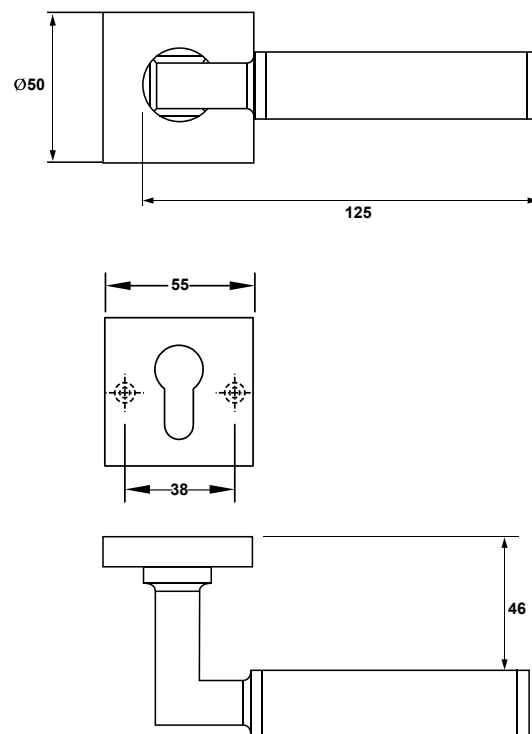


Material/finish	Door Thickness	Article No.
Stainless Steel Matt	40-52mm	903.99.442
SS Pol. / Stainless Steel Matt	40-52mm	903.99.882

Special Order

COLE SQUARE

Lever Handle on rose & cylinder escutcheon



Material/finish	Door Thickness	Article No.
Stainless Steel Matt	40-52mm	903.99.883

We reserve the right to alter specifications without notice (HIN Architectural Hardware 2015).

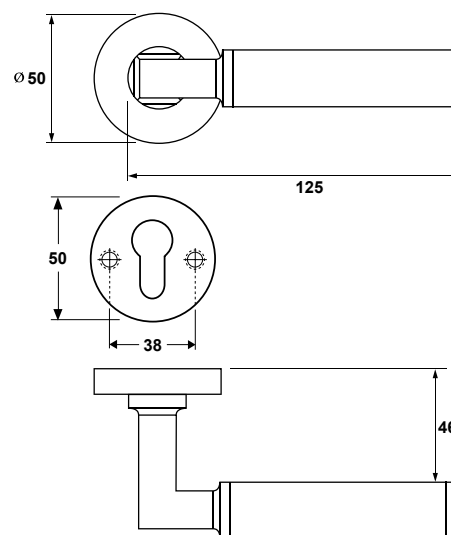
Lever handle sets: StarTec



1

COLE

Lever Handle on rose & cylinder escutcheon

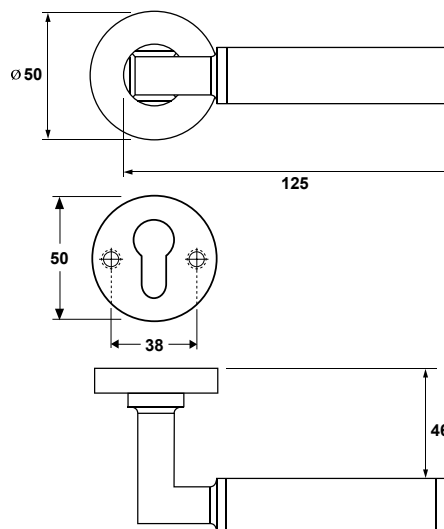


Material/finish	Door Thickness	Article No.
SS Pol./(Bronze)	40-52mm	903.99.454

Special Order

COLE

Lever Handle on rose & cylinder escutcheon



Material/finish	Door Thickness	Article No.
SS Pol./(Bronze) Knurled	40-52mm	903.99.456

Special Order

We reserve the right to alter specifications without notice (HIN Architectural Hardware 2015).

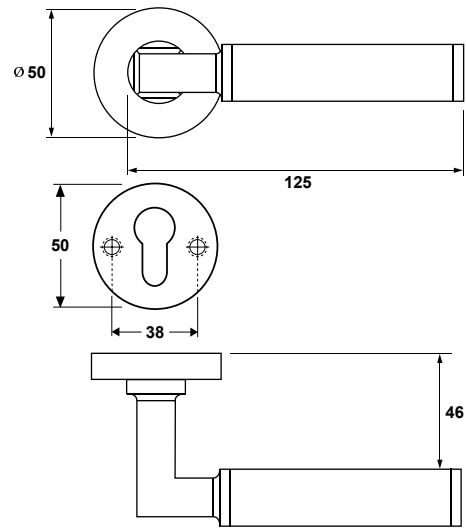
Lever handle sets: StarTec



1

COLE

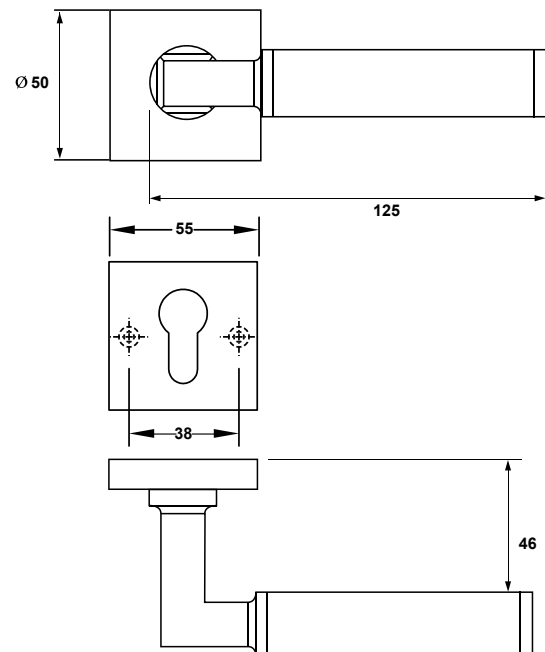
Lever Handle on rose & cylinder escutcheon



Material/finish	Door Thickness	Article No.
SS Pol./Nylon Black	40-52mm	903.99.456

COLE SQUARE

Lever Handle on rose & cylinder escutcheon



Material/finish	Door Thickness	Article No.
SS Pol./(Bronze) Knurled	40-52mm	903.99.459

Special Order

We reserve the right to alter specifications without notice (HIN Architectural Hardware 2015).

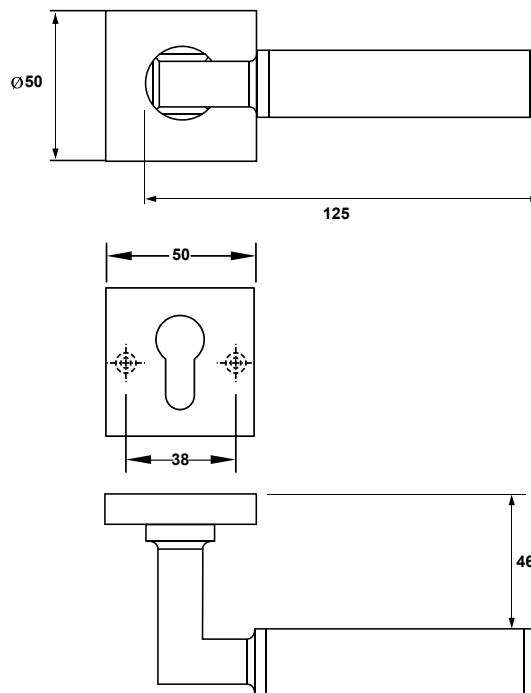
Lever handle sets: StarTec



1

COLE SQUARE

Lever Handle on rose & cylinder escutcheon

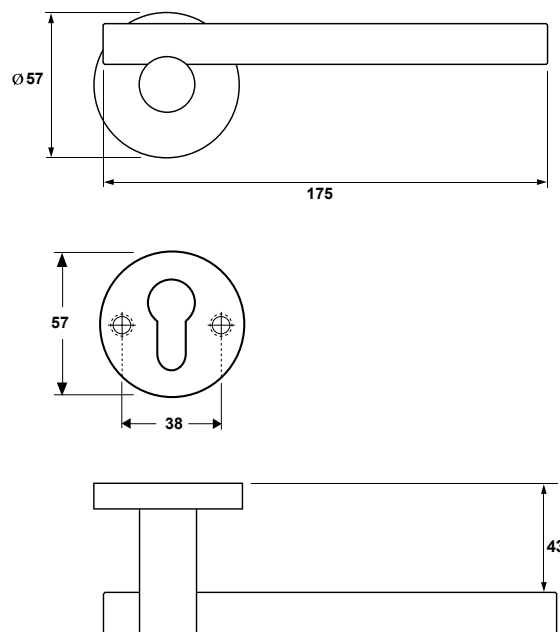


Material/finish	Door Thickness	Article No.
SS Pol./(Bronze)	40-52mm	903.99.455

Special Order

TRIGO

Lever Handle on rose & cylinder escutcheon



Material/finish	Door Thickness	Article No.
SS Matt	40-52mm	903.98.434

Special Order

We reserve the right to alter specifications without notice (HIN Architectural Hardware 2015).

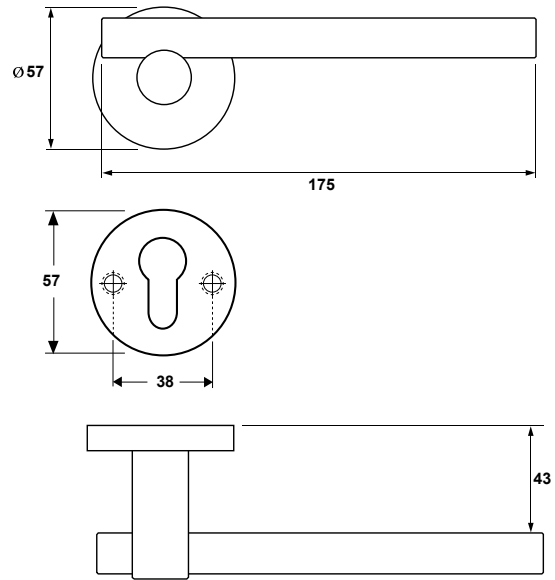
Lever handle sets: StarTec



1

TRIGO

Lever Handle on rose & cylinder escutcheon

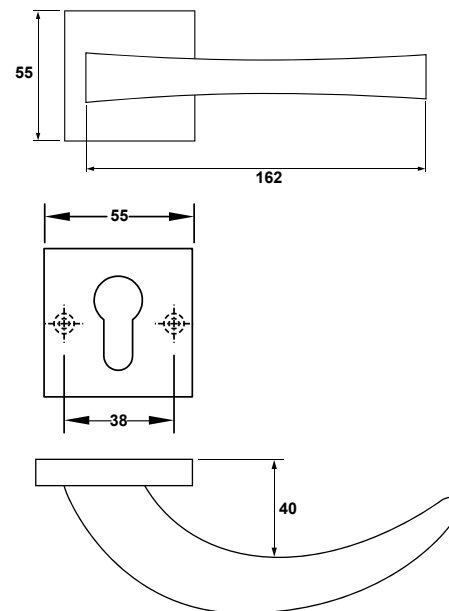


Material/finish	Door Thickness	Article No.
SS Polished	40-52mm	903.98.435

Special Order

VISIO SQUARE

Lever Handle on rose & cylinder escutcheon



Material/finish	Door Thickness	Article No.
SS Polished	40-52mm	903.98.436

We reserve the right to alter specifications without notice (HIN Architectural Hardware 2015).

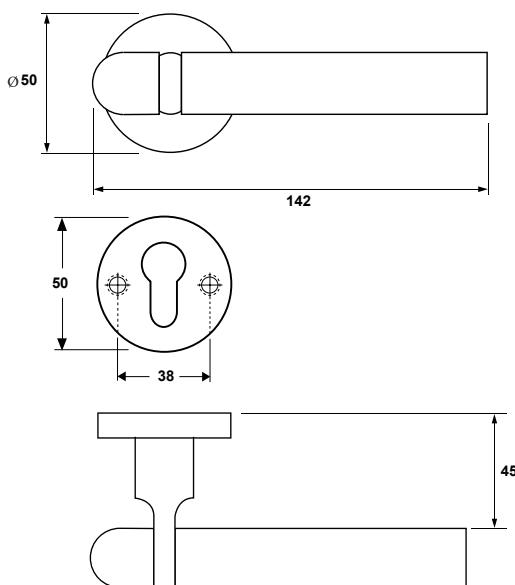
Lever handle sets: StarTec



1

FILO

Lever Handle on rose & cylinder escutcheon

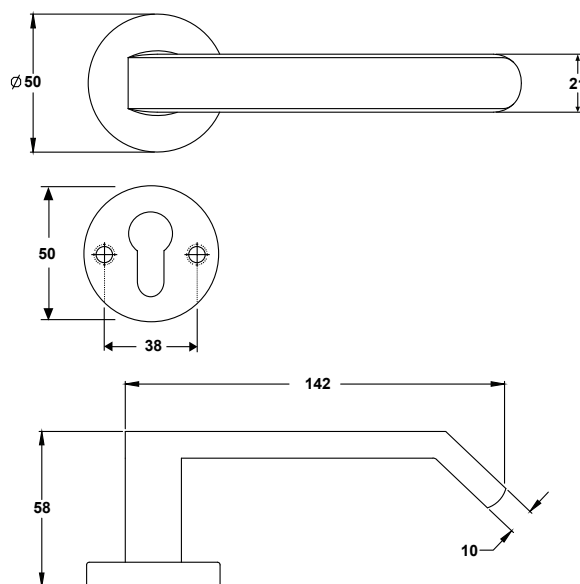


Material/finish	Door Thickness	Article No.
SS Matt	40-52mm	903.98.433

Special Order

TALBOT

Lever Handle on rose & cylinder escutcheon



Material/finish	Door Thickness	Article No.
SS Matt	40-52mm	903.98.542

Special Order

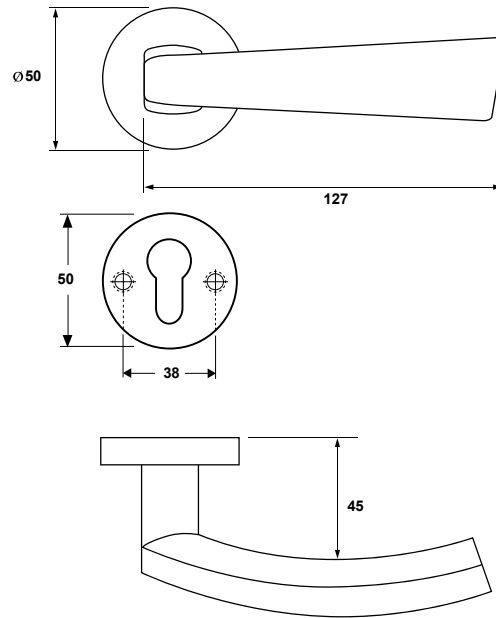
We reserve the right to alter specifications without notice (HIN Architectural Hardware 2015).

Lever handle sets: StarTec



FREDA

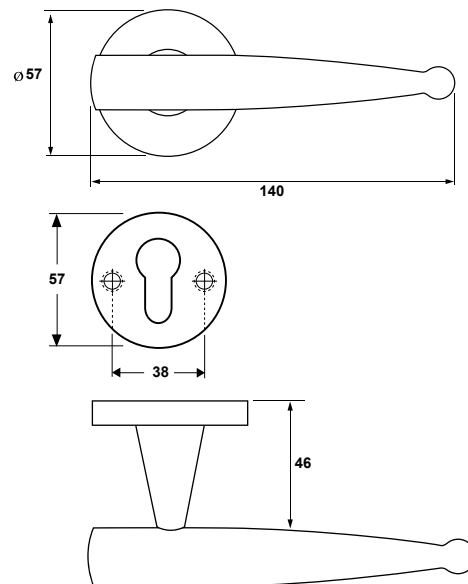
Lever Handle on rose & cylinder escutcheon



Material/finish	Door Thickness	Article No.
SS Matt	40-52mm	903.98.543

BELLA

Lever Handle on rose & cylinder escutcheon



Material/finish	Door Thickness	Article No.
SS Matt	40-52mm	903.98.545
SS Polished	40-52mm	903.98.546

We reserve the right to alter specifications without notice (HIN Architectural Hardware 2015).



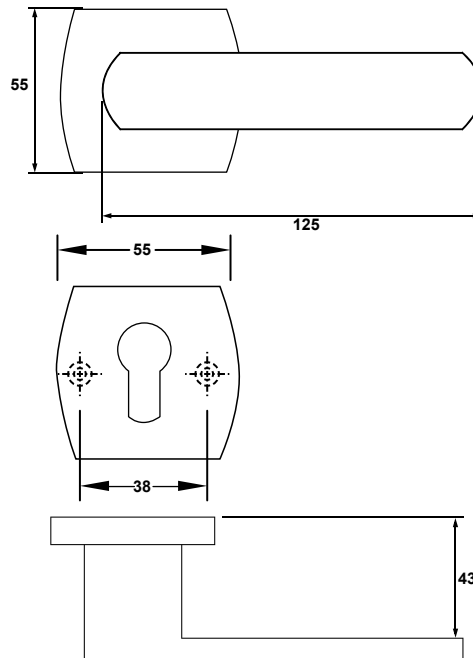
Lever handle sets: StarTec



1

CUBANA CURVE

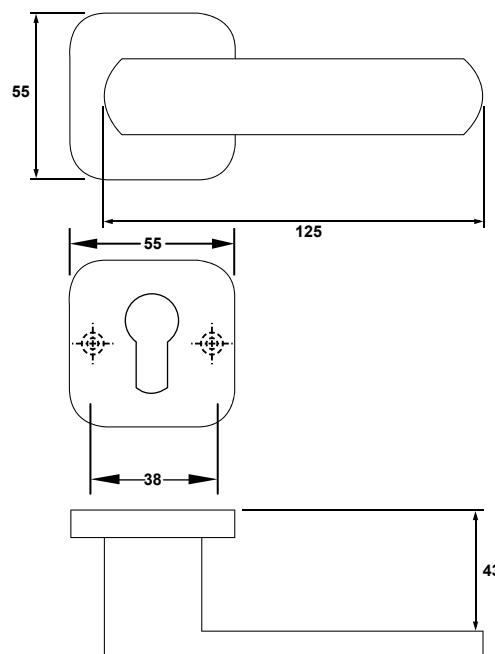
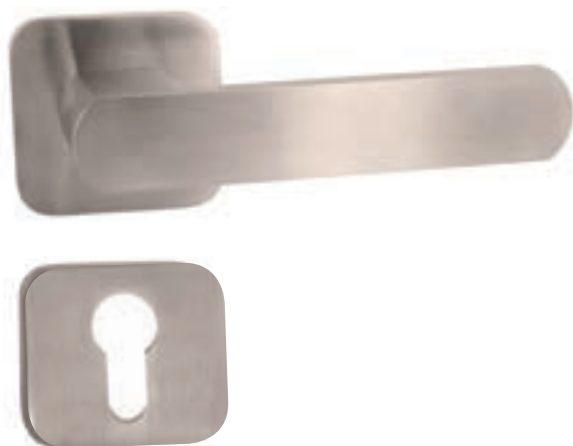
Lever Handle on rose & cylinder escutcheon



Material/finish	Door Thickness	Article No.
SS Matt	40-52mm	903.99.800

CUBANA

Lever Handle on rose & cylinder escutcheon



Material/finish	Door Thickness	Article No.
Stainless Steel Matt	40-52mm	903.99.801

We reserve the right to alter specifications without notice (HIN Architectural Hardware 2015).

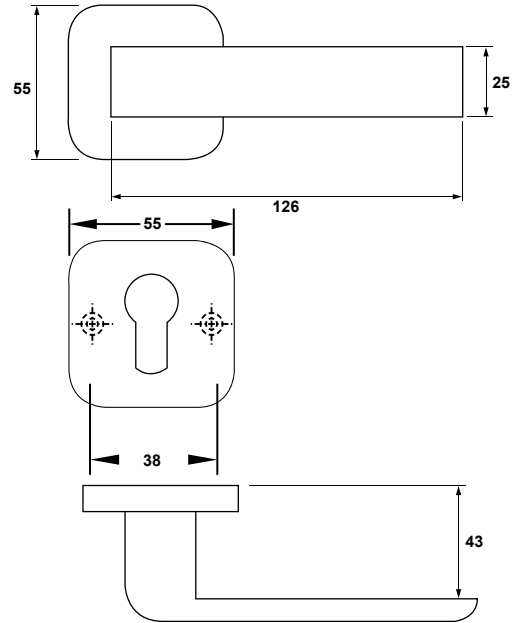
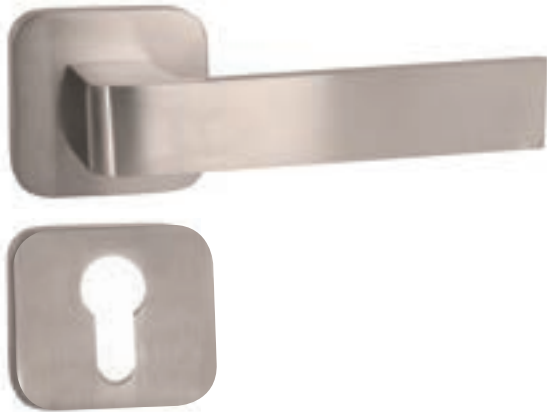
Lever handle sets: StarTec



1

ADRIANA

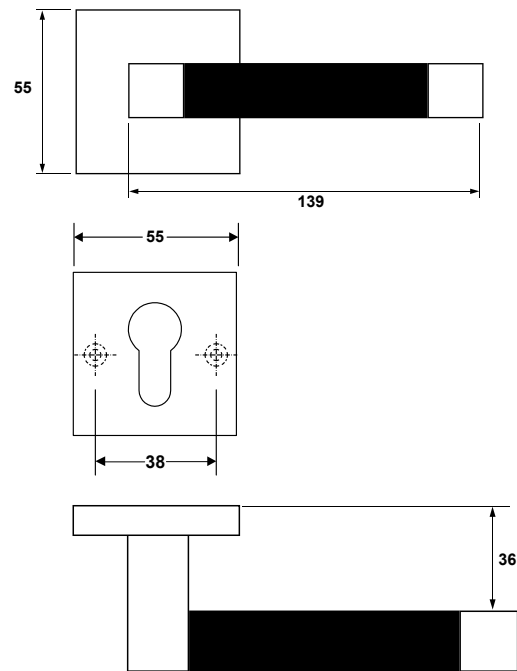
Lever Handle on rose & cylinder escutcheon



Material/finish	Door Thickness	Article No.
Stainless Steel Matt	40-52mm	903.99.802

AMAIRA

Lever Handle with black leather on rose & cylinder escutcheon



Material/finish	Article No.
Stainless Steel Matt	903.99.80001
Stainless Steel Polished	903.99.80011

We reserve the right to alter specifications without notice (HIN Architectural Hardware 2015).

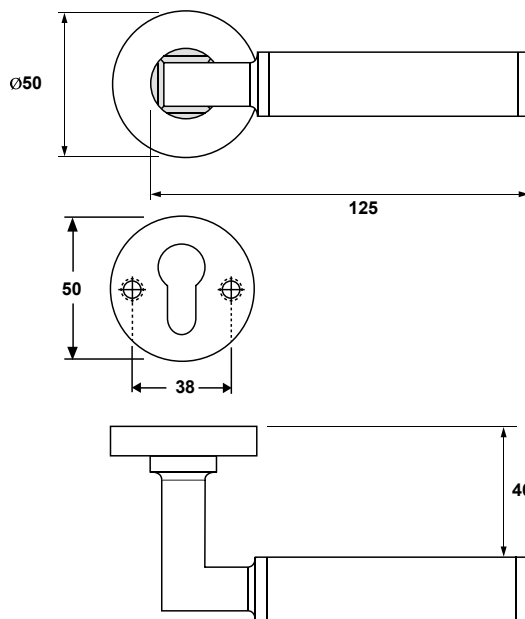
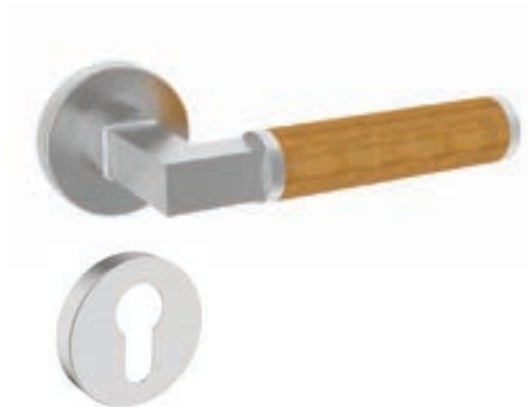
Lever handle sets: StarTec



1

COLE-WOOD

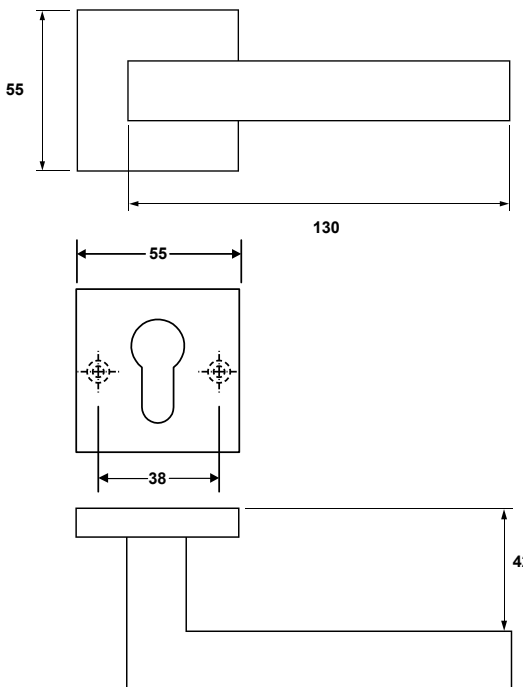
Lever Handle on rose & cylinder escutcheon



Material/finish	Article No.
Stainless Steel Matt / Burmese Teak Wood	903.99.80002
Stainless Steel Polished / Burmese Teak Wood	903.99.80012

GRANDE

Lever Handle on rose & cylinder escutcheon



Material/finish	Article No.
Stainless Steel Matt	903.99.80003
Stainless Steel Polished	903.99.80013

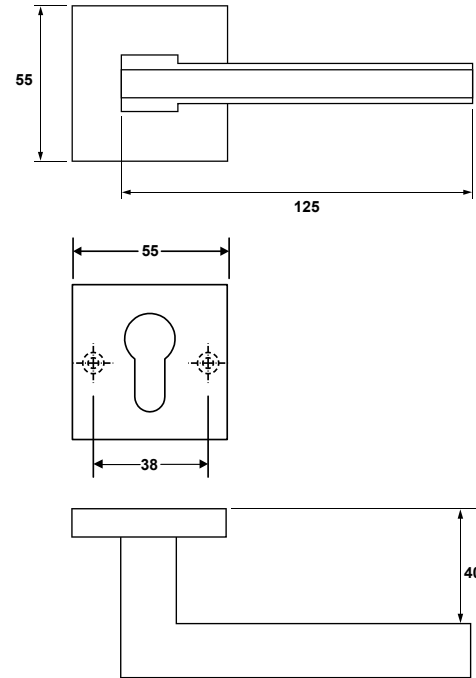
We reserve the right to alter specifications without notice (HIN Architectural Hardware 2015).

Lever handle sets: StarTec



BALLET

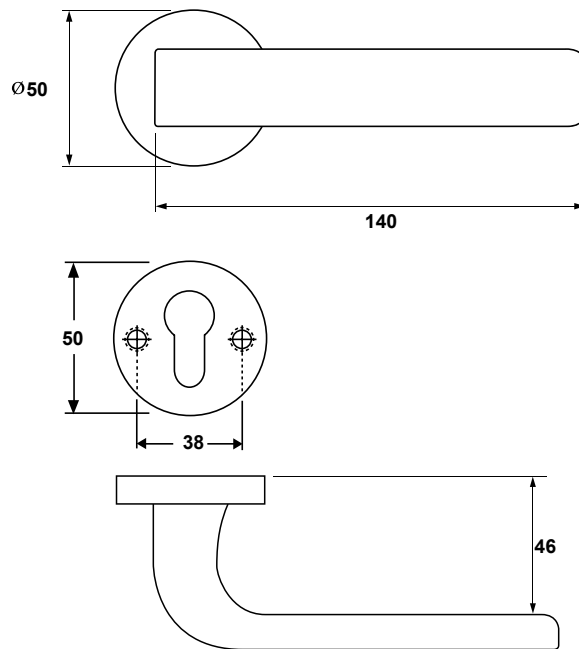
Lever Handle on rose & cylinder escutcheon



Material/finish	Article No.
Stainless Steel Matt	903.99.80004
Stainless Steel Polished	903.99.80014

PETRA

Lever Handle on rose & cylinder escutcheon



Material/finish	Article No.
Stainless Steel Matt	903.99.80005
Stainless Steel Polished	903.99.80015

We reserve the right to alter specifications without notice (HIN Architectural Hardware 2015).



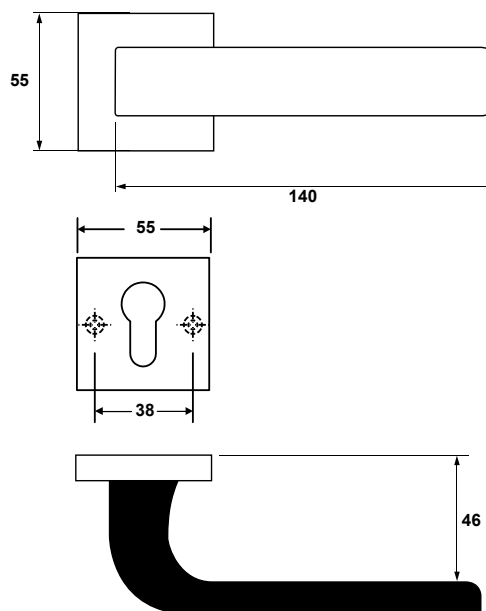
Lever handle sets: StarTec



1

PETRA-DUAL-BLACK PU Coated

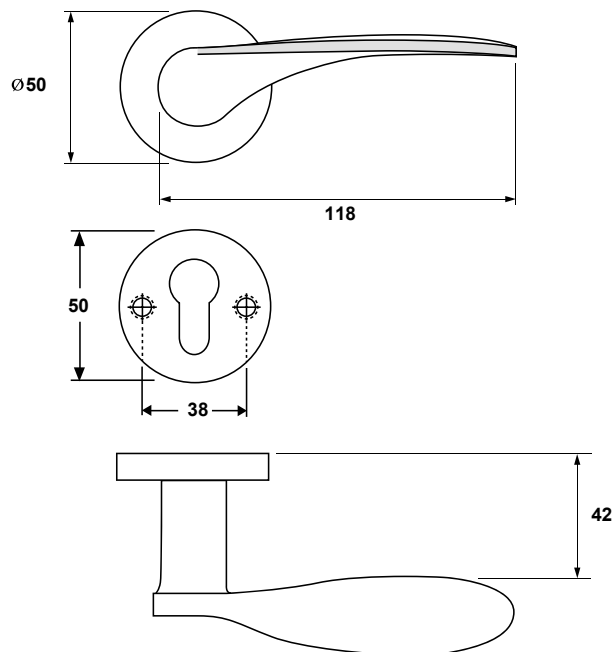
Lever Handle on rose & cylinder escutcheon



Material/finish	Article No.
Stainless Steel Matt / Black PU	903.99.80006
Stainless Steel Polished/ Black PU	903.99.80016

MARION

Lever Handle on rose & cylinder escutcheon



Material/finish	Article No.
Stainless Steel Matt	903.99.80006
Stainless Steel Polished	903.99.80016

We reserve the right to alter specifications without notice (HIN Architectural Hardware 2015).

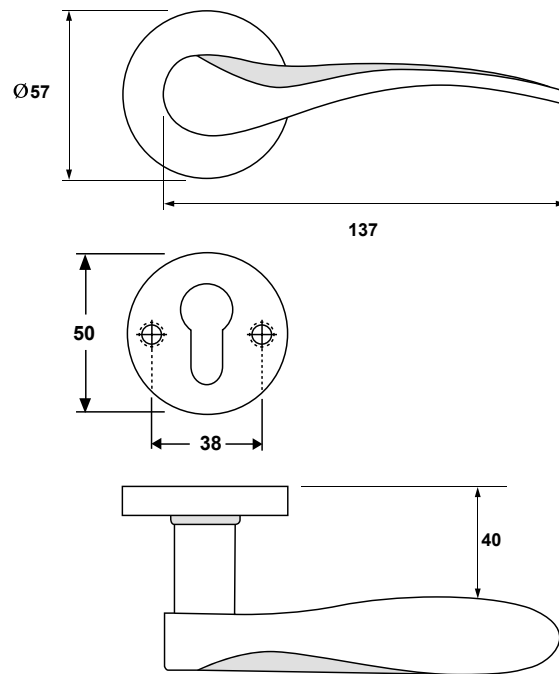
Lever handle sets: StarTec



1

ELANOR

Lever Handle on rose & cylinder escutcheon



Material/finish	Article No.
Stainless Steel Matt	903.99.80008
Stainless Steel Polished	903.99.80018

We reserve the right to alter specifications without notice (HIN Architectural Hardware 2015).

Lever handle sets: StarTec

1



राष्ट्रीय परीक्षण शाला (प.क्षे.) मुंबई
National Test House (W. R.) Mumbai



GOVERNMENT OF INDIA
NATIONAL TEST HOUSE
F-10 MIDC, ANDHERI(E), MUMBAI-400 093.

Phone : 28327276 28352341 28352350
FAX : 022-28341767
E-mail : nithwr@nith.net.in
Website : http://nith.nic.in

20237

047

TEST CERTIFICATE

Test Certificate
No: BTH/CP/2013/110 B
Date of Issue: 07/04/2014
Code No.
Page 1 of 2 Pages

1. Issued to (Name and address of the organisation)	: M/s. HAFELE India Pvt. Ltd., Office No.3, Building "A", BETA, I Think Techno Campus, Off.J.V.L.R,Opp.Kanjurmarg Station, Kanjurmarg East, Mumbai-400 042.
2. Party's Ref. No.	: Nil dated 31 st July 2013
3. Description of the test item	: Handle lever -SS 316
4. Identification of the test item	: Sample marked as 'A'
5. Date of receipt of test item	: Sample received on dated 13.02.2014 in one box.
6. Identification of Test Method	: IS: 101 (pt.6 / Sec.1)1988
7. Sampling Procedure where relevant	: N.A.

[Signature]

[Signature]
8.02.14

[Signature]

Lever handle sets: StarTec

1

PTH-CP-2013/110-B Page 2 of 2 DATE: 09/03/2014



राष्ट्रीय परीक्षण शाला (प.क्षे.) मुंबई
National Test House (W. R.) Mumbai

20237 0047



As desired, the samples have been tested on the lines of IS 101 (pt.6 Sec.1) 1988 for Salt Spray test, 5% NaCl Solution, with the results noted below:

Result of test

Sr.No.	Sample Description and marked as	Duration	Observation
1	Lever Handle SS316, marked as 'A'	700 hrs	No Signs of corrosion was observed

Tested by



(C.N.Patel)
Scientific Officer (Chem)

Checked by



(Dr.S.K.Kubshreshtha)
Scientist SD(Chem.)

Approved by



(A.K.S. Bansod)
Scientist SD (Chem)

Note: 1. This test certificate or report may not be published for commercial purposes except in full, unless permission for the publication of an approved abstract has been obtained from the Director, National Test House, Andheri(E), Mumbai.

Note: 2. This Test Certificate applies only to sample tested as mentioned in the "PRESS NOTE" shown at Page (v) in the Govt. of India Publication "Schedule of Testing Charges levied by National test House and related information"

We reserve the right to alter specifications without notice (HIN Architectural Hardware 2015).

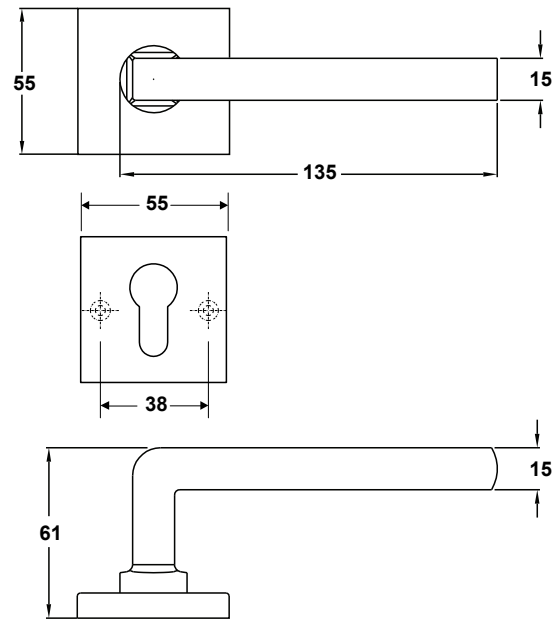
Lever handle sets: StarTec



1

ELLE

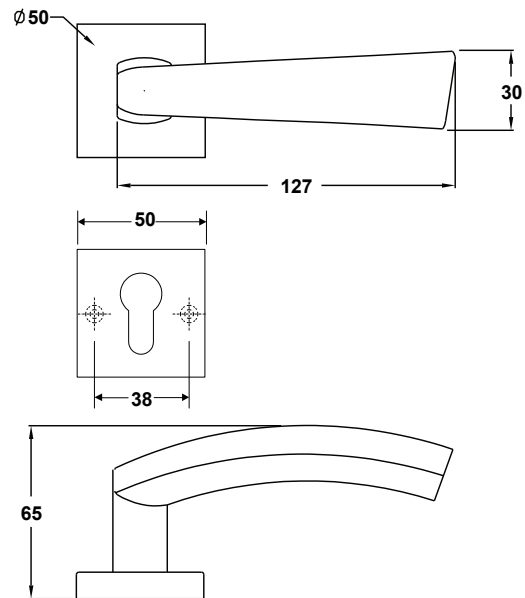
Lever Handle on Rose & Euro profile cylinder escutcheon (SS316)



Material/finish	Door Thickness	Article No.
Stainless Steel Matt	40-52mm	903.99.208

FREDA

Lever Handle on square Rose & Euro profile cylinder escutcheon (SS316)



Material/finish	Door Thickness	Article No.
Stainless Steel Matt	40-52mm	903.99.214

We reserve the right to alter specifications without notice (HIN Architectural Hardware 2015).

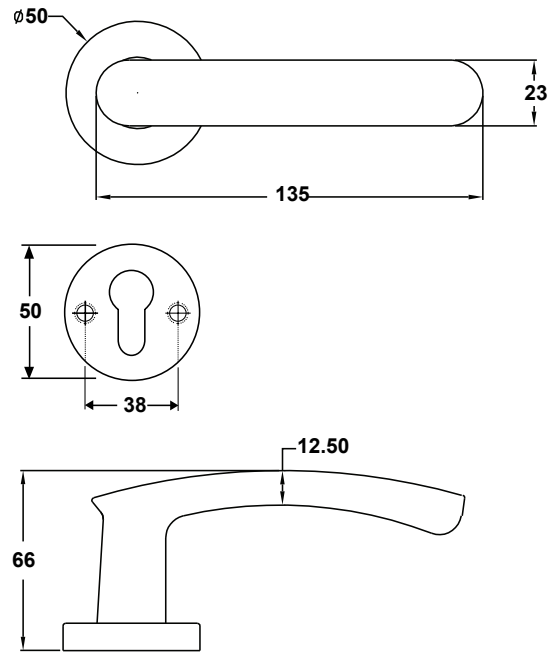
Lever handle sets: StarTec



1

MEGAN

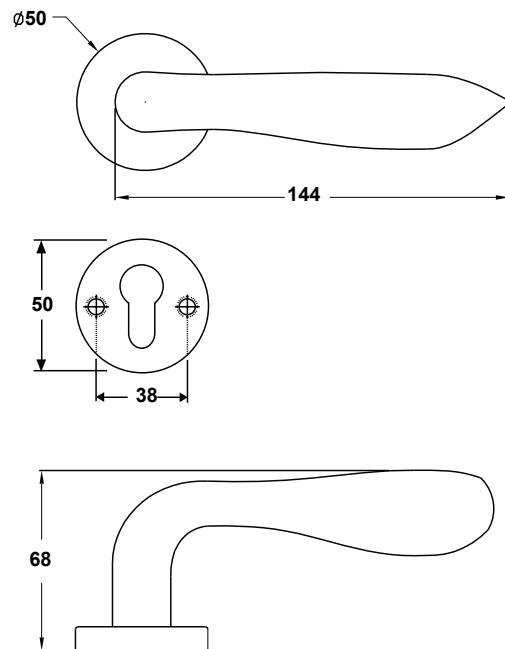
Lever Handle on round rose & Euro profile cylinder escutcheon (SS316)



Material/finish	Door Thickness	Article No.
Stainless Steel Matt	40-52mm	903.99.215

MAXINE

Lever Handle on round rose & Euro profile cylinder escutcheon (SS316)



Material/finish	Door Thickness	Article No.
Stainless Steel Matt	40-52mm	903.92.216

We reserve the right to alter specifications without notice (HIN Architectural Hardware 2015).

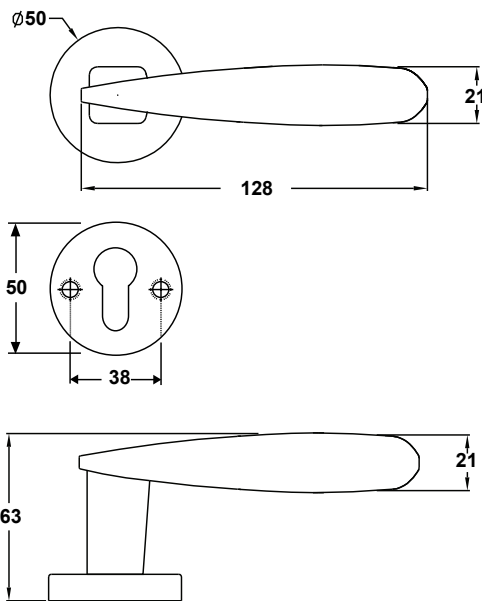
Lever handle sets: StarTec



1

OLIVER

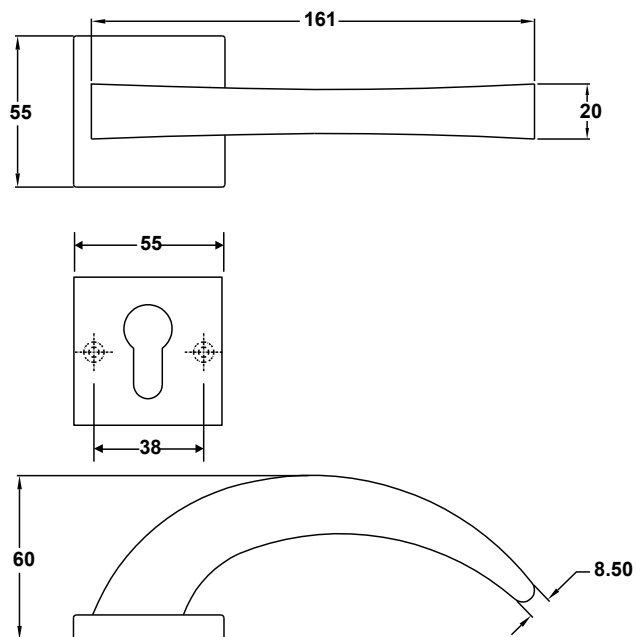
Lever Handle on round rose & Euro profile cylinder escutcheon (SS316)



Material/finish	Door Thickness	Article No.
Stainless Steel Matt	40-52mm	903.99.217

VISIO

Lever Handle on square rose & Euro profile cylinder escutcheon (SS316)



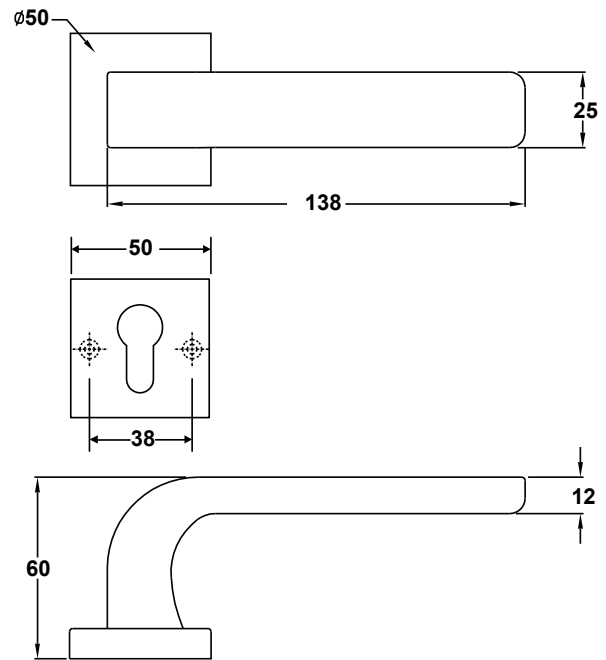
Material/finish	Door Thickness	Article No.
Stainless Steel Matt	40-52mm	903.99.185

We reserve the right to alter specifications without notice (HIN Architectural Hardware 2015).

Lever handle sets: StarTec

CURVED QUADRA

Lever Handle on square rose & Euro profile cylinder escutcheon (SS316)

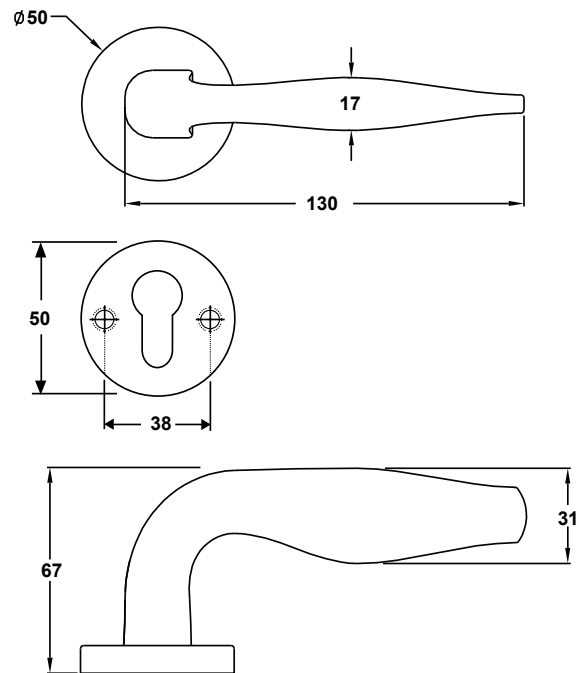


Material/finish	Door Thickness	Article No.
Stainless Steel Matt	40-52mm	903.99.193

SWIFT

Lever Handle on round rose & Euro profile cylinder escutcheon (SS316)

We reserve the right to alter specifications without notice (HIN Architectural Hardware 2015).



Material/finish	Door Thickness	Article No.
Stainless Steel Matt	40-52mm	903.99.194

Individual set components

Rose and escutcheon

1

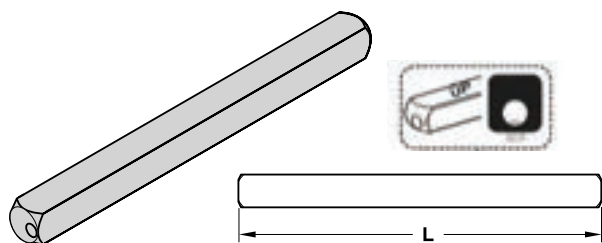


Finish	Description	Article No.
Stainless steel matt (304)	Round	903.99.664
Stainless steel matt (304)	Square	903.99.66401

Accessories for lever handle set

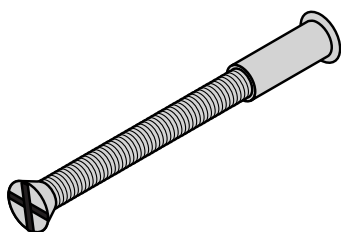
Spindle, square

Size: 8x8 mm



Finish	Column	Article No.
Zinc Plated	L=100mm	909.46.03001
Zinc Plated	L=125mm	909.46.03002

Mounting screw



For door thickness	Article No.
40-52mm	101.20.00001

We reserve the right to alter specifications without notice (HIN Architectural Hardware 2015).

Häfele brings to you its holistic range of lever handles from Manital— made in Italy with the expertise, know-how and elegance of Italian designs. These handles are made from brass and are available in distinguished finishes.

The design of Manital products comes as a result of their collaboration with internationally renowned designers and architects.

Manital ensures that each single product is manufactured with the utmost care, employing only the best materials and with the help of the most sophisticated industrial technologies.

Manital's patented SDF – Super Durable Finishes provide a high-performance protective treatment to the handles to ensure that the color and gloss remains unaltered over time.



Special Order:

- These handles will only be made available in case of special orders
- Order confirmed only after full advance payment
- Order production time: 3 weeks
- Order procurement time: 2 weeks
- Order deliver time from Warehouse: As per Logistical conditions of the country
- For further details on Special Order contact your respective Sales Representatives

We reserve the right to alter specifications without notice (HIN Architectural Hardware 2015).

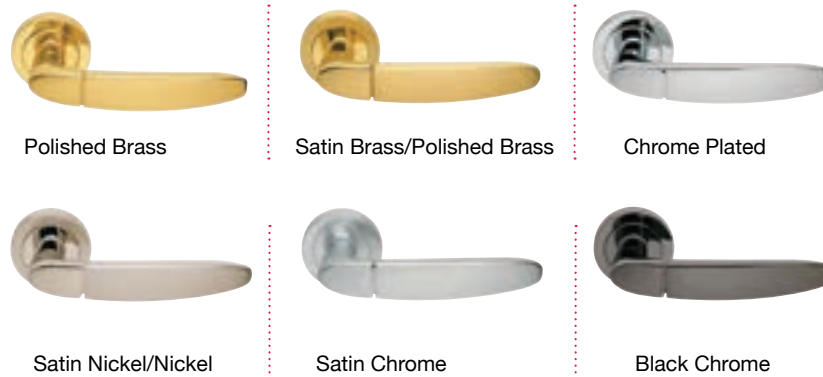
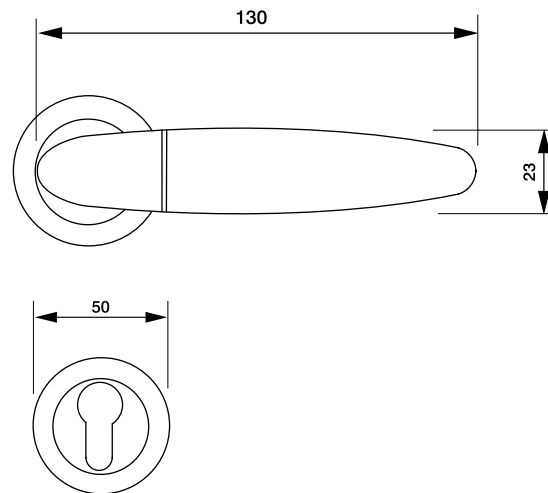
Lever handle sets: Manital



1

ATENA

Lever Handle on rose & cylinder escutcheon



Finish	Door Thickness	Article No.
Polished Brass	38-46mm	901.99.910
Satin Brass/Polished Brass	38-46mm	901.98.015
Chrome Plated	38-46mm	901.99.261
Satin Nickel/Nickel	38-46mm	901.99.568
Satin Chrome	38-46mm	901.99.915
Black Chrome	38-46mm	901.99.26105

Special Order

We reserve the right to alter specifications without notice (HIN Architectural Hardware 2015).

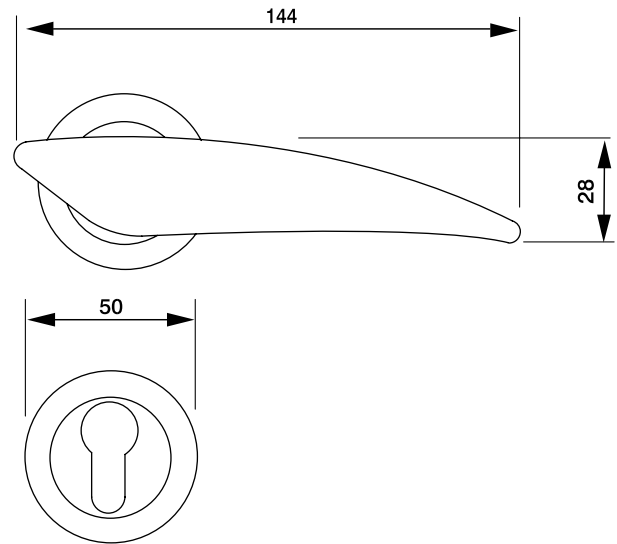
Lever handle sets: Manital



1

ELIS

Lever Handle on rose & cylinder escutcheon



Finish	Door Thickness	Article No.
Polished Brass	38-46mm	901.99.934
Satin Brass	38-46mm	901.99.93602
Chrome Plated	38-46mm	901.99.936
Satin Nickel	38-46mm	901.99.939
Satin Chrome	38-46mm	901.99.938
Black Chrome	38-46mm	901.99.93605

Special Order

We reserve the right to alter specifications without notice (HIN Architectural Hardware 2015).

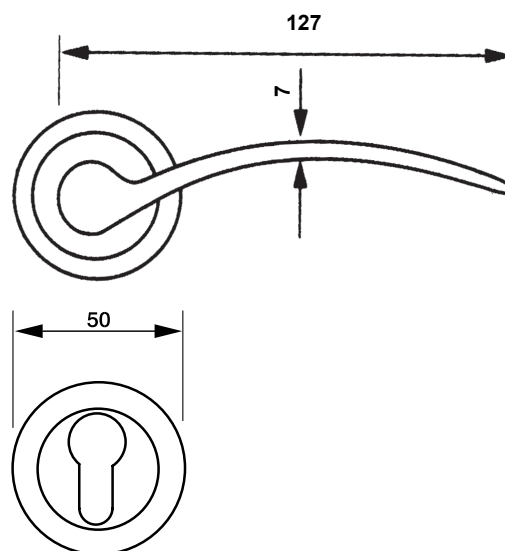
Lever handle sets: Manital



1

SALINA

Lever Handle on rose & cylinder escutcheon



Polished Brass



Satin Brass/Polished Brass



Chrome Plated



Satin Nickel/ Nickel



Satin Chrome



Black Chrome

Finish	Door Thickness	Article No.
Polished Brass	38-46mm	901.99.958
Satin Brass/Polished Brass	38-46mm	901.99.96003
Chrome Plated	38-46mm	901.99.960
Satin Nickel/ Nickel	38-46mm	901.99.546
Satin Chrome	38-46mm	901.99.962
Black Chrome	38-46mm	901.99.96005

Special Order

We reserve the right to alter specifications without notice (HIN Architectural Hardware 2015).

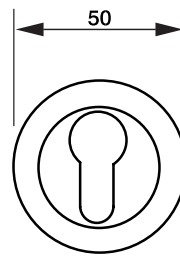
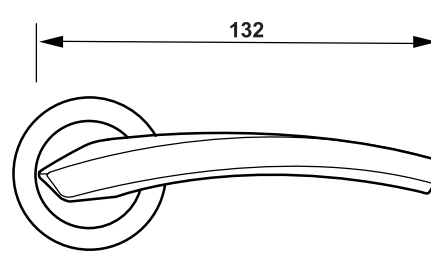
Lever handle sets: Manital

DUNE

Lever Handle on rose & cylinder escutcheon



1



Polished Brass



Satin Brass



Chrome Plated



Satin Bronze



Satin Chrome



Satin Nickel

Finish	Door Thickness	Article No.
Polished Brass	38-46mm	901.01.608
Satin Brass	38-46mm	901.99.92401
Chrome Plated	38-46mm	901.99.924
Satin Bronze	38-46mm	901.99.92402
Satin Chrome	38-46mm	901.99.932
Satin Nickel	38-46mm	901.99.92403

Special Order

We reserve the right to alter specifications without notice (HIN Architectural Hardware 2015).

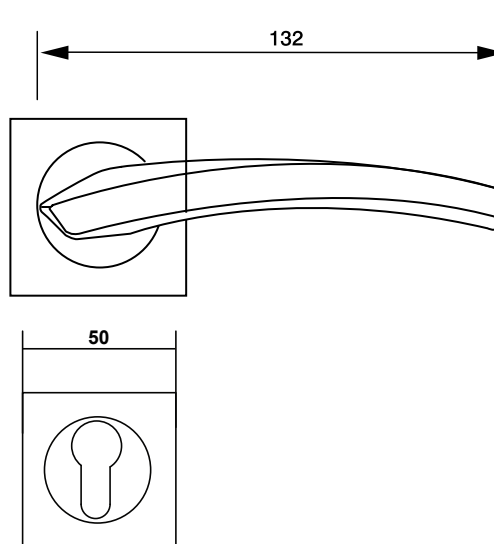
Lever handle sets: Manital



1

DUNE SQUARE

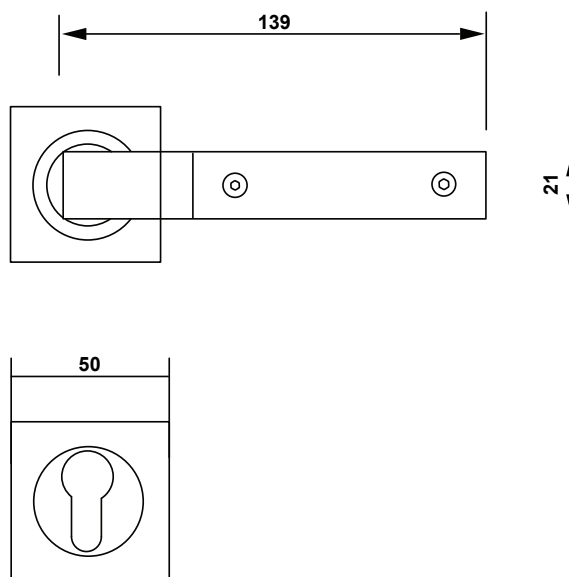
Lever Handle on rose & cylinder escutcheon



Finish	Door Thickness	Article No.
Chrome Polished	38-46mm	901.99.255
Chrome Matt	38-46mm	901.99.256

QUADRA SQUARE

Lever Handle on rose & cylinder escutcheon



Finish (Wood)	Door Thickness	Article No.
Chrome Matt/ Wenge	38-46mm	901.99.259

Special Order

We reserve the right to alter specifications without notice (HIN Architectural Hardware 2015).

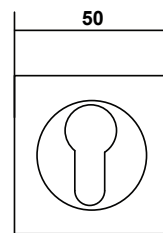
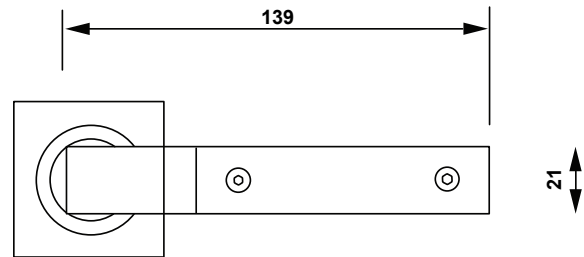
Lever handle sets: Manital



1

QUADRA SQUARE

Lever Handle on rose & cylinder escutcheon

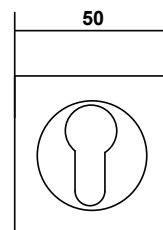
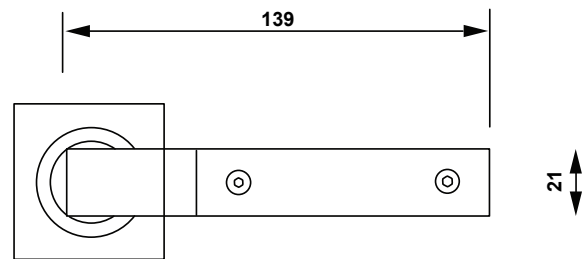


Finish (Wood)	Door Thickness	Article No.
Chrome Polished / Pear	38-46mm	901.99.257

Special Order

QUADRA

Lever Handle on rose & cylinder escutcheon



Finish	Door Thickness	Article No.
Chrome Matt/ Wenge	38-46mm	901.99.956

Special Order

We reserve the right to alter specifications without notice (HIN Architectural Hardware 2015).

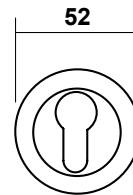
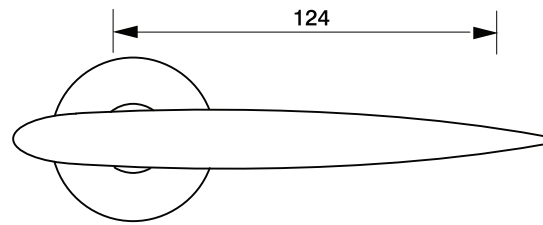
Lever handle sets: Manital



1

ARCO

Lever Handle on rose with euro cylinder escutcheon



Polished Brass



Satin Brass



Chrome Plated



Satin Bronze



Satin Chrome



Satin Nickel

Finish	Door Thickness	Article No.
Polished Brass	38-46mm	901.99.24801
Satin Brass	38-46mm	901.99.24802
Chrome Plated	38-46mm	901.99.248
Satin Bronze	38-46mm	901.99.24803
Satin Chrome	38-46mm	901.99.249
Satin Nickel	38-46mm	901.99.24804

Special Order

We reserve the right to alter specifications without notice (HIN Architectural Hardware 2015).

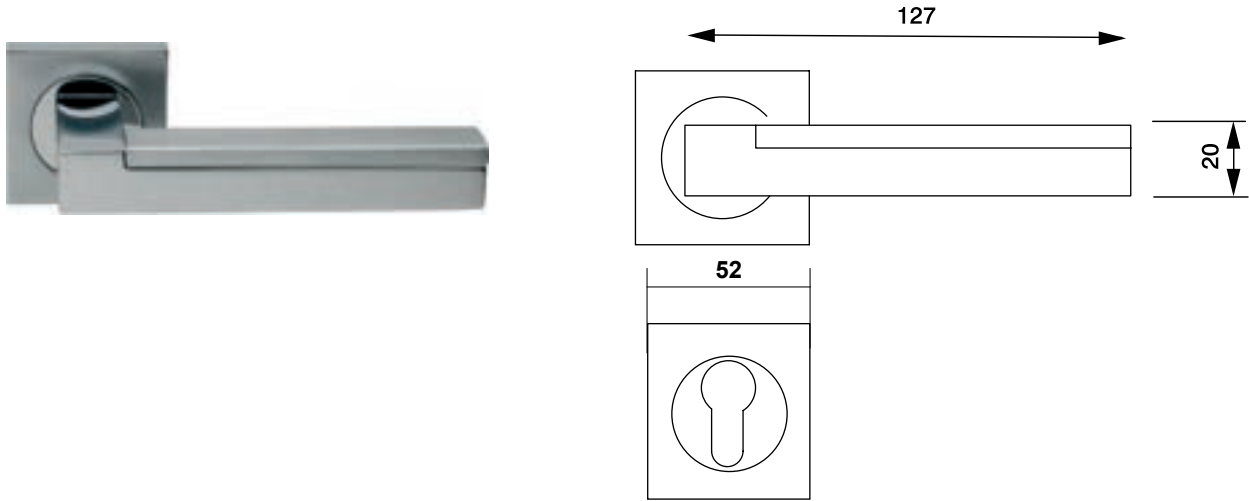
Lever handle sets: Manital



1

MORPHOS

Lever Handle on rose with euro cylinder escutcheon



Chrome Plated



Satin Chrome



Satin Chrome/Chrome Plated



Satin Nickel



Satin Nickel/Nickel

Finish (Wood)	Door Thickness	Article No.
Chrome Plated	38-46mm	901.99.250
Satin Chrome	38-46mm	901.99.25001
Satin Chrome/Chrome Plated	38-46mm	901.99.250
Satin Nickel	38-46mm	901.99.25004
Satin Nickel/Nickel	38-46mm	901.99.25003

Special Order

We reserve the right to alter specifications without notice (HIN Architectural Hardware 2015).

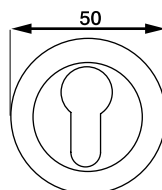
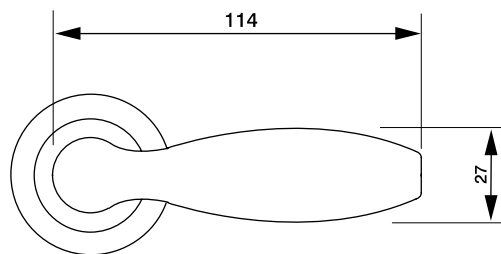
Lever handle sets: Manital



1

SIENA

Lever Handle on rose with euro cylinder escutcheon



Polished Brass



Satin Brass



Chrome Plated



Satin Bronze



Satin Chrome



Satin Nickel



Black Chrome

Finish	Door Thickness	Article No.
Polished Brass	38-46mm	901.78.39501
Satin Brass	38-46mm	901.78.39502
Chrome Plated	38-46mm	901.78.395
Satin Bronze	38-46mm	901.78.39503
Satin Chrome	38-46mm	901.78.39504
Satin Nickel	38-46mm	901.78.39505
Black Chrome	38-46mm	901.78.39506

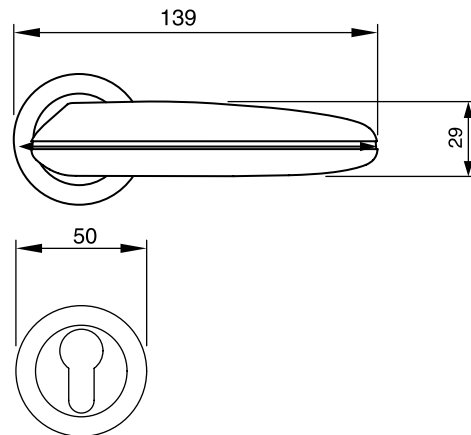
Special Order

We reserve the right to alter specifications without notice (HIN Architectural Hardware 2015).

Lever handle sets: Manital

CARMEN

Lever Handle on rose & cylinder escutcheon



Chrome Plated



Satin Chrome



Satin Nickel

Finish	Article No.
Chrome Plated	901.98.643
Satin Chrome	901.98.64301
Satin Nickel	901.98.64302

Special Order

We reserve the right to alter specifications without notice (HIN Architectural Hardware 2015).

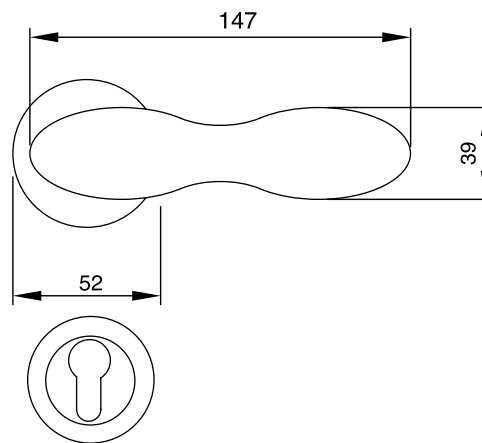
Lever handle sets: Manital



1

SPOON

Lever Handle on rose & cylinder escutcheon



Polished Brass



Satin Brass



Chrome Plated



Satin Bronze



Satin Chrome



Satin Nickel

Finish	Door Thickness	Article No.
Polished Brass	38-46mm	901.98.64401
Satin Brass	38-46mm	901.98.64402
Chrome Plated	38-46mm	901.98.64404
Satin Bronze	38-46mm	901.98.64403
Satin Chrome	38-46mm	901.98.644
Satin Nickel	38-46mm	901.98.64405

Special Order

We reserve the right to alter specifications without notice (HIN Architectural Hardware 2015).

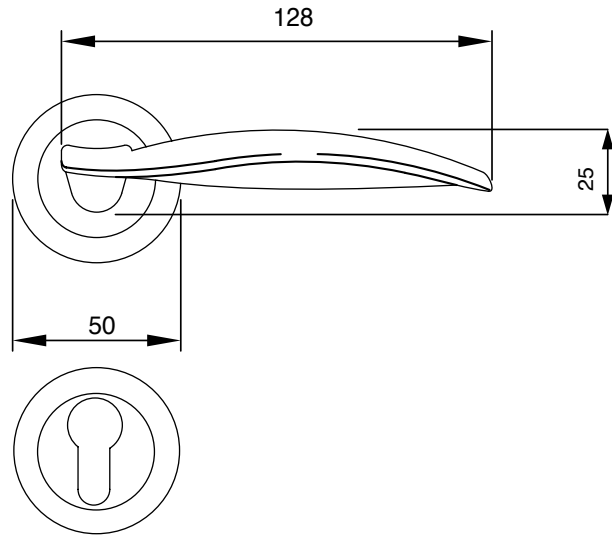
Lever handle sets: Manital



1

WIND

Lever Handle on rose & cylinder escutcheon



Polished Brass



Satin Brass



Chrome Plated



Satin Bronze



Satin Chrome



Satin Nickel

Finish	Door Thickness	Article No.
Polished Brass	38-46mm	901.98.812
Satin Brass	38-46mm	901.98.813
Chrome Plated	38-46mm	901.98.647
Satin Bronze	38-46mm	901.98.814
Satin Chrome	38-46mm	901.98.646
Satin Nickel	38-46mm	901.98.817

Special Order

We reserve the right to alter specifications without notice (HIN Architectural Hardware 2015).

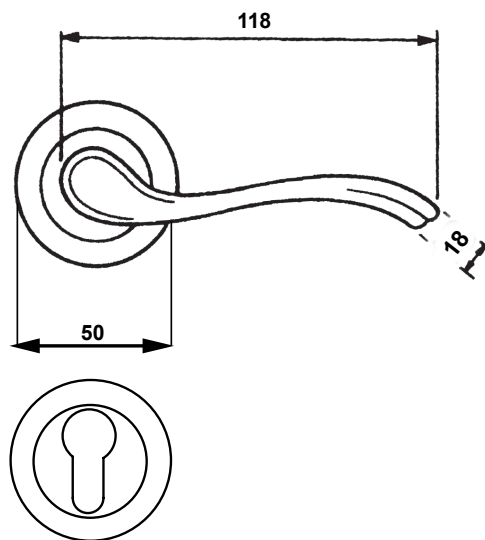
Lever handle sets: Manital



1

ERICA

Lever Handle on rose & cylinder escutcheon



Polished Brass



Satin Brass



Chrome Plated



Satin Bronze



Satin Chrome



Black Chrome

Finish	Door Thickness	Article No.
Polished Brass	38-46mm	901.78.40701
Satin Brass	38-46mm	901.78.40702
Chrome Plated	38-46mm	901.99.670
Satin Bronze	38-46mm	901.78.40703
Satin Chrome	38-46mm	901.99.672
Black Chrome	38-46mm	901.78.40705

Special Order

We reserve the right to alter specifications without notice (HIN Architectural Hardware 2015).

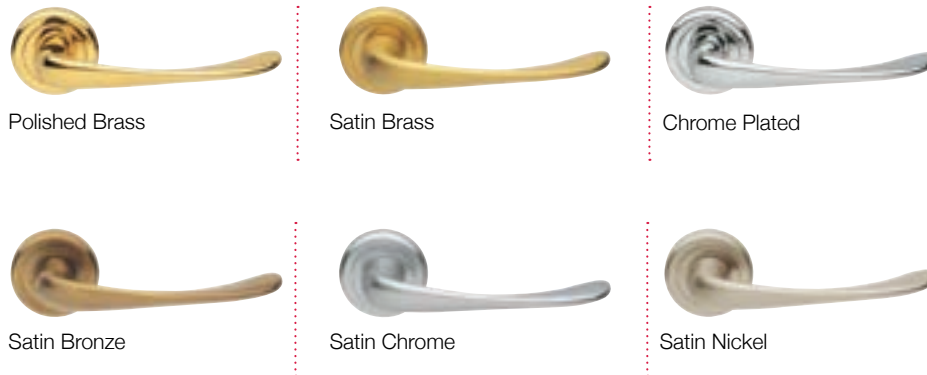
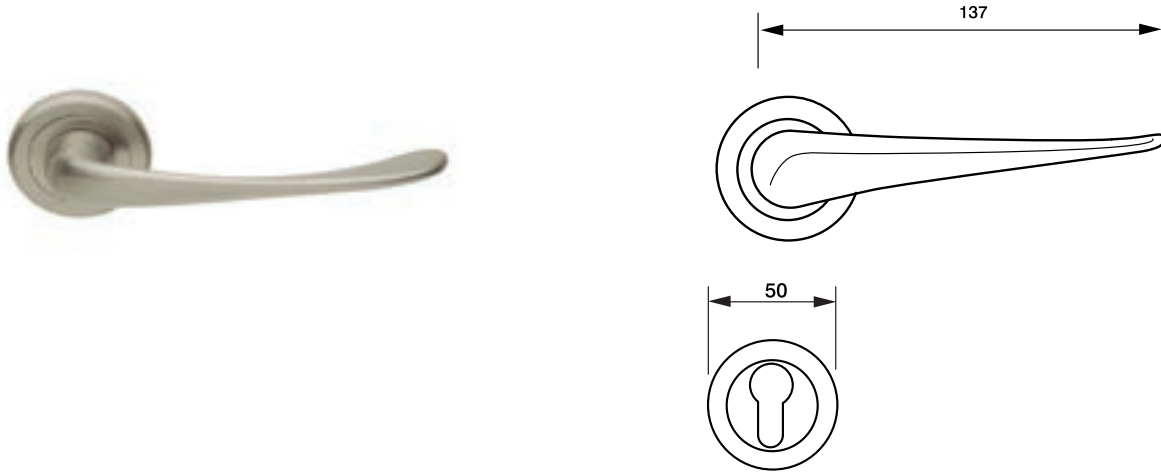
Lever handle sets: Manital



1

VOLA

Lever Handle on rose & cylinder escutcheon



Finish	Door Thickness	Article No.
Polished Brass	38-46mm	901.98.64901
Satin Brass	38-46mm	901.98.64902
Chrome Plated	38-46mm	901.98.64904
Satin Bronze	38-46mm	901.98.64903
Satin Chrome	38-46mm	901.98.64905
Satin Nickel	38-46mm	901.98.649

Special Order

We reserve the right to alter specifications without notice (HIN Architectural Hardware 2015).

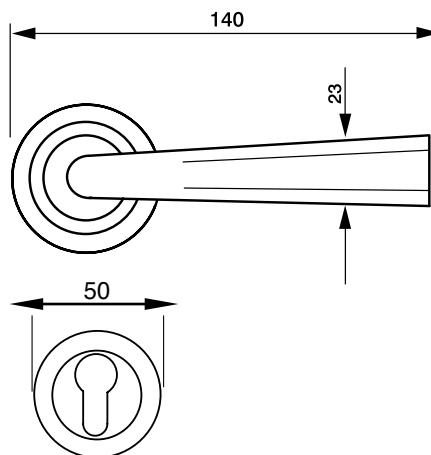
Lever handle sets: Manital



1

LOGOS

Lever Handle on rose & cylinder escutcheon



Polished Brass



Satin Brass



Chrome Plated



Satin Chrome



Satin Nickel



Satin Bronze

Finish	Door Thickness	Article No.
Polished Brass	38-46mm	901.98.64801
Satin Brass	38-46mm	901.98.64802
Chrome Plated	38-46mm	901.98.64804
Satin Chrome	38-46mm	901.98.64805
Satin Nickel	38-46mm	901.98.648
Satin Bronze	38-46mm	901.98.64803

Special Order

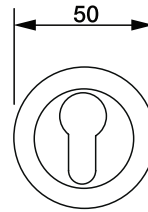
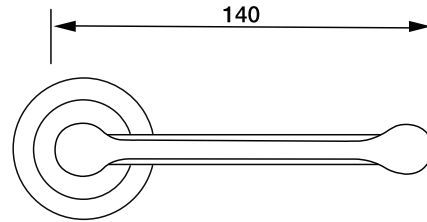
We reserve the right to alter specifications without notice (HIN Architectural Hardware 2015).

Lever handle sets: Manital



ALAMARO

Lever Handle on rose & cylinder escutcheon



Polished Brass



Satin Brass



Chrome Plated



Satin Nickel



Satin Chrome



Satin Bronze

Finish	Door Thickness	Article No.
Polished Brass	38-46mm	901.78.37701
Satin Brass	38-46mm	901.78.37702
Chrome Plated	38-46mm	901.78.377
Satin Nickel	38-46mm	901.78.37705
Satin Chrome	38-46mm	901.78.37704
Satin Bronze	38-46mm	901.78.37703

Special Order

We reserve the right to alter specifications without notice (HIN Architectural Hardware 2015).



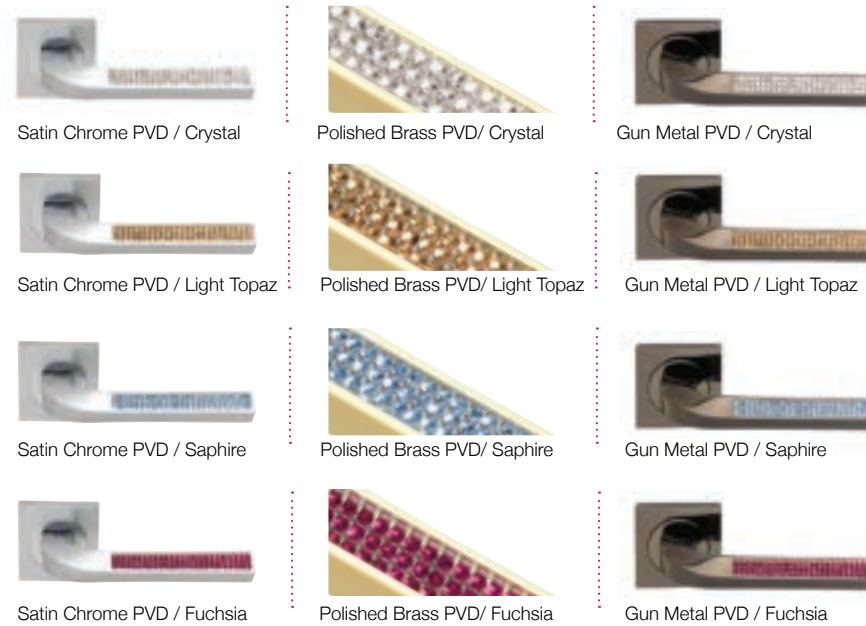
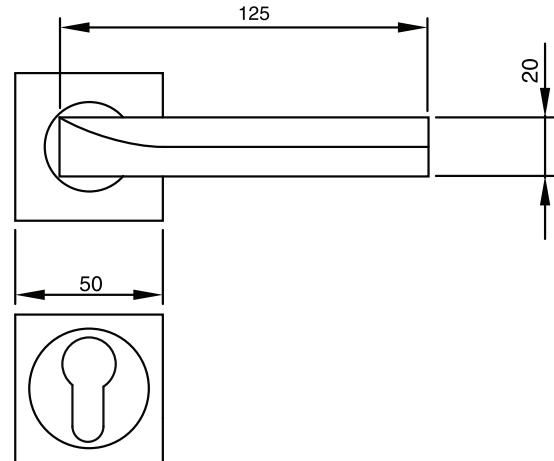
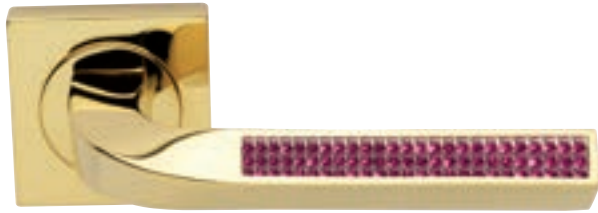
Lever handle sets: Manital



1

SLIM

Lever Handle on rose & cylinder escutcheon
PVD



Satin Chrome PVD / Crystal

Polished Brass PVD/ Crystal

Gun Metal PVD / Crystal

Satin Chrome PVD / Light Topaz

Polished Brass PVD/ Light Topaz

Gun Metal PVD / Light Topaz

Satin Chrome PVD / Sapphire

Polished Brass PVD/ Sapphire

Gun Metal PVD / Sapphire

Satin Chrome PVD / Fuchsia

Polished Brass PVD/ Fuchsia

Gun Metal PVD / Fuchsia

Finish	Door Thickness	Article No.
Satin Chrome PVD / Crystal	38-46mm	901.78.37806
Satin Chrome PVD / Light Topaz	38-46mm	901.78.37805
Satin Chrome PVD / Sapphire	38-46mm	901.78.37807
Satin Chrome PVD / Fuchsia	38-46mm	901.78.37808
Polished Brass PVD/ Crystal	38-46mm	901.78.37802
Polished Brass PVD/ Light Topaz	38-46mm	901.78.37801
Polished Brass PVD/ Sapphire	38-46mm	901.78.37803
Polished Brass PVD/ Fuchsia	38-46mm	901.78.37804
Gun Metal PVD / Crystal	38-46mm	901.78.37810
Gun Metal PVD / Light Topaz	38-46mm	901.78.37809
Gun Metal PVD / Sapphire	38-46mm	901.78.37811
Gun Metal PVD / Fuchsia	38-46mm	901.78.37812

Special Order

We reserve the right to alter specifications without notice (HIN Architectural Hardware 2015).

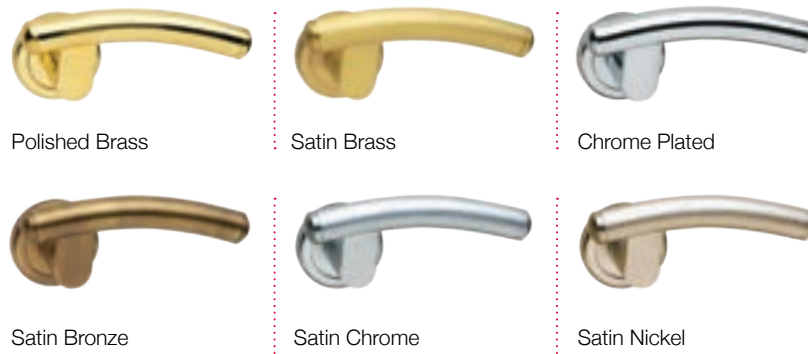
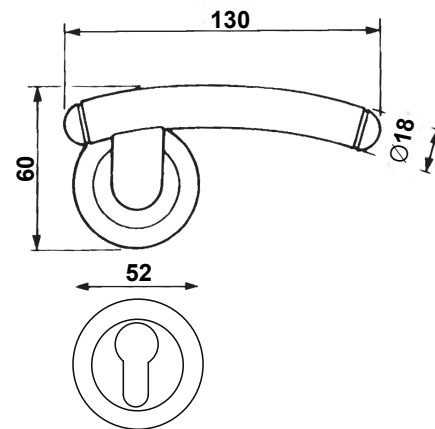
Lever handle sets: Manital



1

LUNA

Lever Handle on rose & cylinder escutcheon



Polished Brass

Satin Brass

Chrome Plated

Satin Bronze

Satin Chrome

Satin Nickel

Finish	Door Thickness	Article No.
Polished Brass	38-46mm	901.78.39801
Satin Brass	38-46mm	901.78.39802
Chrome Plated	38-46mm	901.78.398
Satin Bronze	38-46mm	901.78.39803
Satin Chrome	38-46mm	901.78.39804
Satin Nickel	38-46mm	901.78.39805

Special Order

We reserve the right to alter specifications without notice (HIN Architectural Hardware 2015).

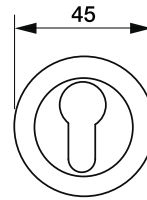
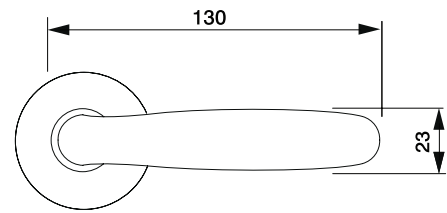
Lever handle sets: Manital



1

IMOLA

Lever Handle on rose & cylinder escutcheon



Polished Brass



Satin Brass



Chrome Plated



Satin Bronze



Satin Chrome



Satin Nickel

Finish	Door Thickness	Article No.
Polished Brass	38-46mm	901.78.41401
Satin Brass	38-46mm	901.78.41402
Chrome Plated	38-46mm	901.78.414
Satin Bronze	38-46mm	901.78.41403
Satin Chrome	38-46mm	901.78.41404
Satin Nickel	38-46mm	901.78.41405

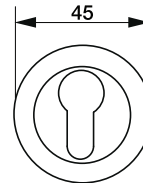
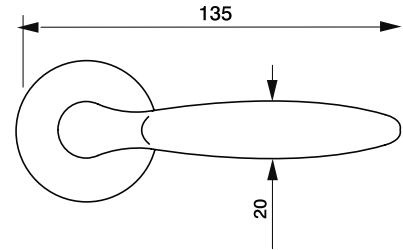
Special Order

We reserve the right to alter specifications without notice (HIN Architectural Hardware 2015).

Lever handle sets: Manital

DERBY

Lever Handle on rose & cylinder escutcheon



Polished Brass



Satin Brass



Chrome Plated



Satin Bronze



Satin Chrome



Satin Nickel

Finish	Door Thickness	Article No.
Polished Brass	38-46mm	901.78.41501
Satin Brass	38-46mm	901.78.41502
Chrome Plated	38-46mm	901.78.415
Satin Bronze	38-46mm	901.78.41503
Satin Chrome	38-46mm	901.78.41504
Satin Nickel	38-46mm	901.78.41505

Special Order

We reserve the right to alter specifications without notice (HIN Architectural Hardware 2015).

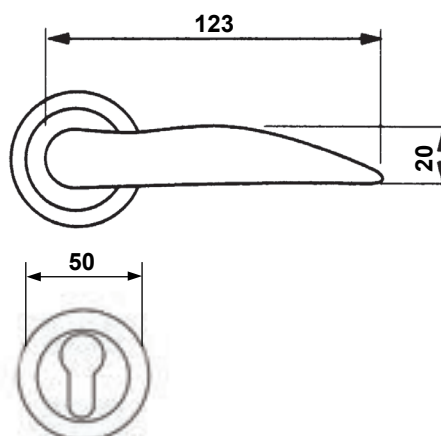
Lever handle sets: Manital



1

DALI

Lever Handle on rose & cylinder escutcheon



Polished Brass



Black Chrome



Chrome Plated



Satin Nickel/Nickel



Satin Brass/Polished Brass



Satin Chrome

Finish	Door Thickness	Article No.
Polished Brass	38-46mm	901.78.38401
Black Chrome	38-46mm	901.78.38406
Chrome Plated	38-46mm	901.78.384
Satin Nickel/Nickel	38-46mm	901.78.38405
Satin Brass/Pol. Brass	38-46mm	901.78.38403
Satin Chrome	38-46mm	901.78.38404

Special Order

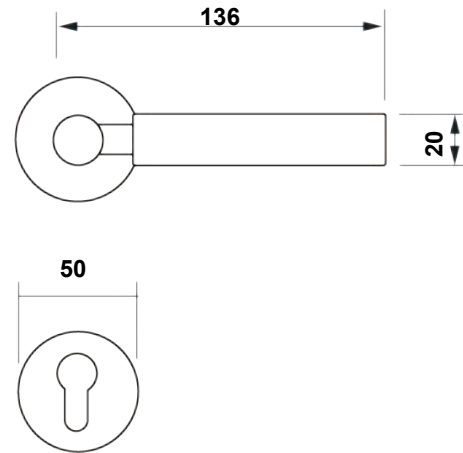
We reserve the right to alter specifications without notice (HIN Architectural Hardware 2015).

Lever handle sets: Manital



AMLETO

Lever Handle on rose & cylinder escutcheon



Polished Brass



Satin Brass/Polished Brass



Chrome Plated



Satin Nickel/Nickel



Satin Chrome/Chrome Plated



Satin Chrome

Finish	Door Thickness	Article No.
Polished Brass	38-46mm	901.78.38301
Satin Brass/Polished Brass	38-46mm	901.78.38302
Chrome Plated	38-46mm	901.78.383
Satin Nickel/Nickel	38-46mm	901.78.38303
Satin Chrome/Chrome Plated	38-46mm	901.78.38304
Satin Chrome	38-46mm	901.78.38305

Special Order

We reserve the right to alter specifications without notice (HIN Architectural Hardware 2015).

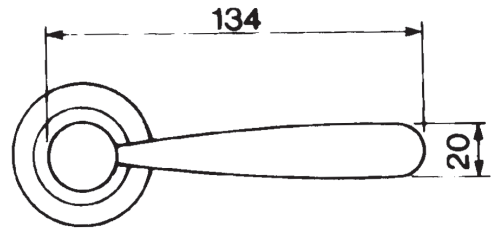
Lever handle sets: Manital



1

BOHÈME

Lever Handle on rose & cylinder escutcheon



Polished Brass



Chrome Plated / Polished Brass



Chrome Plated



Black Chrome / Polished Brass



Satin Nickel / Polished Brass

Finish	Door Thickness	Article No.
Polished Brass	38-46mm	901.78.40001
Chrome Plated / Polished Brass	38-46mm	901.78.40002
Chrome Plated	38-46mm	901.78.400
Black Chrome / Polished Brass	38-46mm	901.78.40003
Satin Nickel / Polished Brass	38-46mm	901.78.40005

Special Order

We reserve the right to alter specifications without notice (HIN Architectural Hardware 2015).

Lever handle sets HOPPE

Häfele brings to you its holistic range of lever handles from HOPPE – a global leader specializing in handles made from aluminium and brass; available in distinguished designs and attractive finishes this range of lever handles spells supremacy in quality, design and functionality.

HOPPE brand-name products undergo numerous tests to ensure flawless operation. Static load tests and durability tests are also made depending on the product type. These closely reflect the everyday knocks hardware has to take and extend beyond the most stringent quality tests and requirements. With the 10-year operational guarantee, HOPPE extends way beyond the 2 to 4-year warranty period stipulated by other hardware contemporaries for public buildings, so setting a new quality benchmark for brand hardware! HOPPE's patented Resista® hardware is ideal for coastal areas and highly frequented areas such as public buildings, shops and hotels. They are easy to maintain and don't require the daily hassles of special cleaning agents - dirt can easily be removed with a damp cloth.



Resista®
10 years' surface guarantee



The number of operation cycles tested by HOPPE is far higher than those demanded by the standards.

Test criteria according to DIN EN 1906		HOPPE test criteria
Residential: 100,000 test cycles	+82,5 % !	Residential: 182,500 operational test cycles on the door
Non-residential: 200,000 test cycles	+27,5 % !	Non-residential: 255,500 operational test cycles on the door

We reserve the right to alter specifications without notice (HIN Architectural Hardware 2015).



1

HOPPE Quick-Fit connection

Quick-fit - Hoppe's spindle fixing method

With normal door handle installation, lots of steps have to be taken, quite often not without awkward fumbling. This is tedious and takes time. What is infinitely better is the HOPPE quick-fit connection.

With its advanced technology, door handles can be installed in one simple step - and to last!

The key point of the new technology is the blocking mechanism, developed by HOPPE, in the receiver handle. This holds the solid spindle of the other handle firmly and without play. It's with the whole width of the spindle that maximum torque transmission is achieved.

The HOPPE quick-fit connection is a variable axial handle fitting, tested according to DIN EN 1906 and can be used for various door thicknesses (in a defined area).



Quick-Fit¹

The advantages of the HOPPE quick-fit connection at a glance:

- Very quick door handle fitting: around 75% time saving compared with normal fitting
- No Allen screw or transverse spindles needed
 - No hole for Allen screw needed
 - No alignment of the spindle necessary when tightening the Allen screw
 - No loosening of the Allen screw or spindle possible
- Integrated blocking mechanism in the receiver handle
 - No tools needed for installation
 - Play-free handle connection
 - Long-lasting, firm fitting of the door handles
- Use of a solid spindle
 - Solid spindle for maximum torque transmission
- Variable axial handle fitting tested to DIN EN 1906
 - can be used for various door-thicknesses (in a defined area)
- Easy and quick removal of door handles
 - eg, with the Allen key included or a screwdriver

HOPPE Innovations

SecuSan – The new hygiene standard:

The issue of “hygiene” has been the subject of public concern for many years and is currently more topical than ever before – be it in clinics, schools, industry or leisure facilities. With the new SecuSan door handles, HOPPE has developed a solution that provides active protection in the very places where it is urgently required. SecuSan is a special surface that immediately suppresses microbial growth on a lasting basis. It is entirely maintenance-free and designed for long-term usage. Its high level of efficacy has been confirmed in independent laboratory and practical tests.



The HOPPE Quick-Fit connection:

With normal door handle installation, lots of steps have to be taken, quite often not without awkward fumbling. This is tedious and takes time. What is infinitely better is the HOPPE Quick-Fit connection. With its advanced technology, door handles can be installed in one simple step – and to last! The key point of the new technology is the blocking mechanism, developed by HOPPE, in the receiver handle. This holds the solid spindle of the other handle firmly and without play. It is with the whole width of the spindle that maximum torque transmission is achieved.



HOPPE Quick-Fitplus – Less is more:

HOPPE Quick-Fitplus is the logical further development of the tried and tested HOPPE Quick-Fit connection. It is not just the door handles which can be fitted easily but also the attractive flat roses. The stainless steel roses, which are only 2 mm thick, come in round or square shapes and are available in various technical specifications and make a striking feature on any door when combined with the many attractive handle designs.

Quick-fit plus

HOPPE Profile - Spindle

- The whole fitting remains totally play-free
- Easy to install
- The Allen screw cannot loosen itself
- Perfect operation regardless of door thickness



How it works...

The spindle is made in such a way that it can easily be inserted into the lever, whereby even tension is created over the whole lock follower.

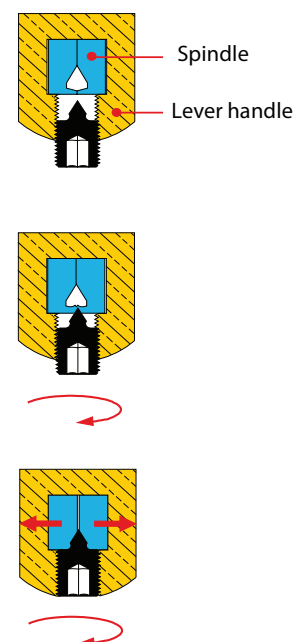
Initial tightening:

After just one turn, the special screw enters the spindle, holding the handle in the correct position.

Firm tightening:

The onion-shaped tip of the screw presses the two halves of the spindle and is then held firmly in place by the pressure against the sides of the lever. To ensure play-free fitting, the screw must be firmly tightened.

The HOPPE profile spindle is used as standard in almost all cases where handles are fitted on both sides of the door, whether profile door sets, security sets or interior door sets.



HOPPE Product Lines

1

The Right Handle of excellence...

We offer you the three separate product lines by HOPPE classified based on your different requirements in price and perception of value. The purpose is to make it easier for you, our customer, to find the right handle of excellence. Whatever the differences in technology,

design, packaging and pricing may be, all three product lines have one thing in common: the proverbial HOPPE quality.

duravert® for the discerning



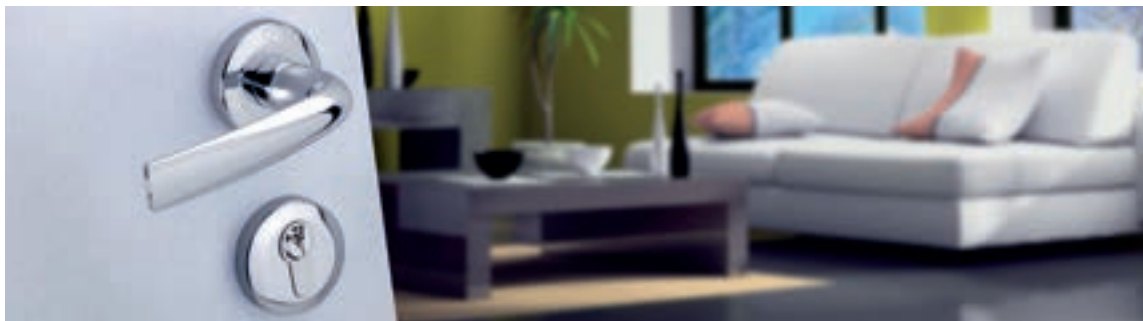
Interior door handles with HOPPE quick-fit connection and spring cassette technology



Resista®
10 years' surface guarantee

... on selected finishes

duraplus® more than usual



Selected interior door handles with HOPPE quick-fit connection and spring cassette technology



Resista®
10 years' surface guarantee

... on selected finishes

duranorm® consistently good value



Interior door handles with HOPPE profile spindle



Stock Availability:

Hafele's range of HOPPE handles are categorized as 'In-stock' or 'Special' depending on the stock availability

In-stock:

These handles are readily available in our range (delivery period as per Logistical conditions of the country)

Special Order:

These handles will only be made available in case of special orders

- ❑ Order confirmed only after full advance payment
- ❑ Order production time: 3 weeks
- ❑ Order procurement time: 2 weeks
- ❑ Order deliver time from Warehouse: As per Logistical conditions of the country
- ❑ For further details on Special Order contact your respective Sales Representatives

We reserve the right to alter specifications without notice (HIN Architectural Hardware 2015).

Lever handle sets HOPPE duravert®

1



We reserve the right to alter specifications without notice (HIN Architectural Hardware 2015).

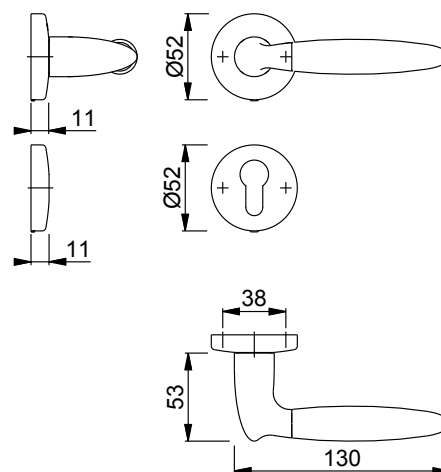
Lever handle sets: HOPPE duravert®

ATHINAI

Lever Handle on rose & cylinder escutcheon



1



Polished chrome with
brushed stainless steel

Finish	Material	Door Thickness	Article No.
Polished chrome with brushed stainless steel	Brass	37-42mm	900.82.368
Brushed with polished chrome	Brass	37-42mm	900.82.362
Brushed chrome	Brass	37-42mm	900.82.363

Special Order

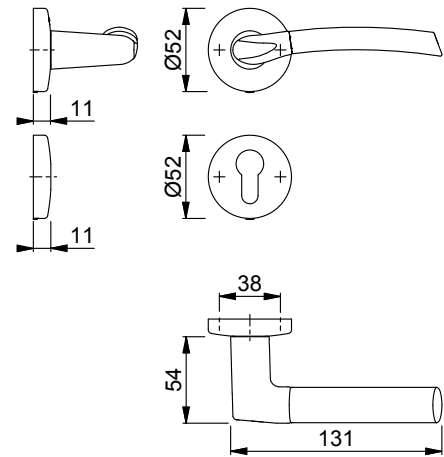


We reserve the right to alter specifications without notice (HIN Architectural Hardware 2015).

Lever handle sets: HOPPE duravert®

BERGEN

Lever Handle on rose & cylinder escutcheon

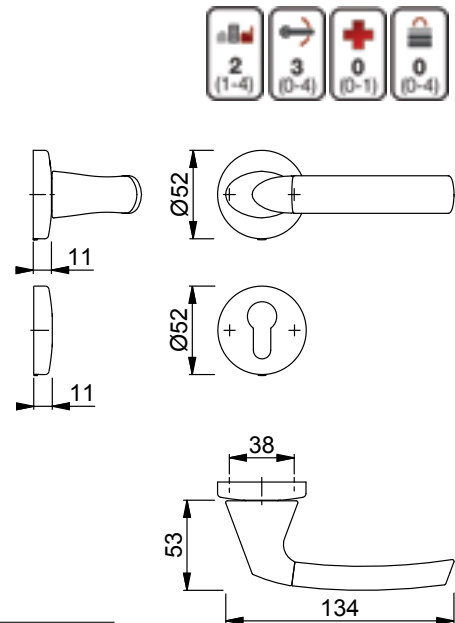
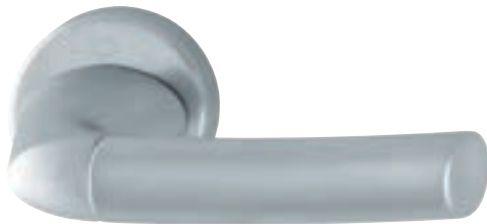


Finish	Material	Door Thickness	Article No.
Polished chrome with aluminium steel	Brass	37-42mm	900.82.073




Resista®
10 years' surface
guarantee

BRUXELLES



Finish	Material	Door Thickness	Article No.
Brushed chrome	Brass	37-42mm	900.92.154

Special Order




Resista®
10 years' surface
guarantee

We reserve the right to alter specifications without notice (HIN Architectural Hardware 2015).

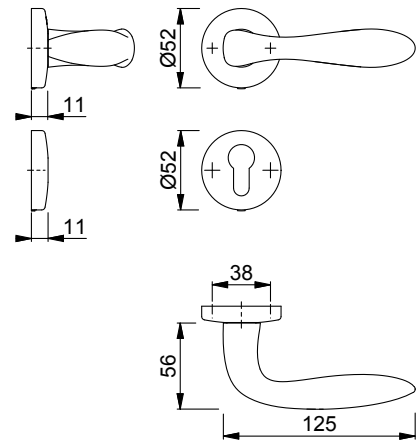
1

Lever handle sets: HOPPE duravert®


GENOVA



1



Finish	Material	Door Thickness	Article No.
Polished with brushed chrome	Brass	37-42mm	901.82.732

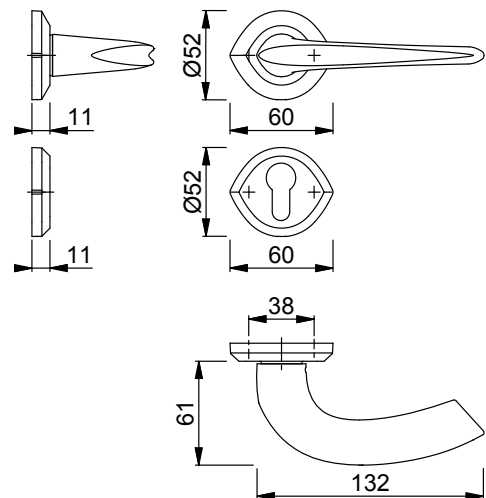
Quick-fit plus

Flat rose available only on special request

Resista®

10 years' surface guarantee

MONTE CARLO



Finish	Material	Door Thickness	Article No.
Satin with polished chrome	Brass	37-42mm	901.82.742

Special Order




Resista®

10 years' surface guarantee

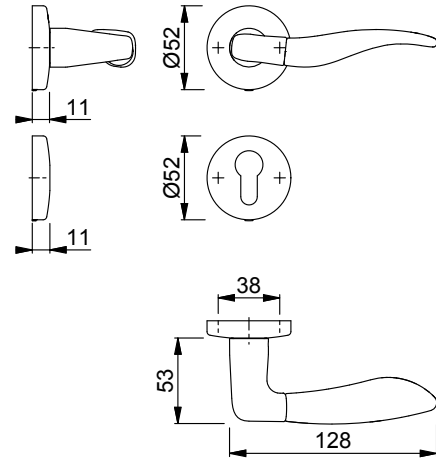
We reserve the right to alter specifications without notice (HIN Architectural Hardware 2015).

Lever handle sets: HOPPE duravert®



1

PHOENIX

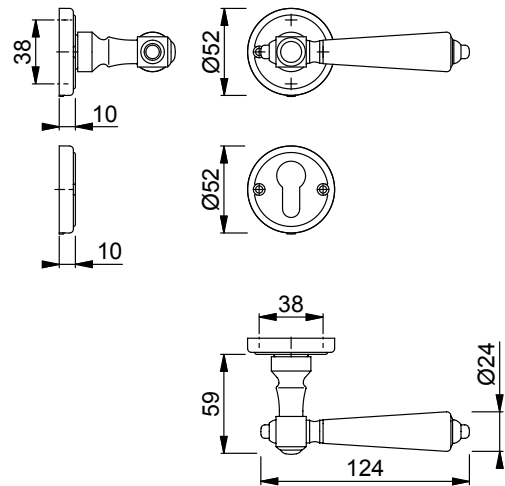


Finish	Material	Article No.
Brushed with polished chrome	Brass	900.82.290




Resista®
10 years' surface
guarantee

SINGAPORE



Finish	Material	Door Thickness	Article No.
Traditional antiqua	Brass	37-42mm	901.92.137

We reserve the right to alter specifications without notice (HIN Architectural Hardware 2015).

1

Lever handle sets HOPPE **duraplus**[®]



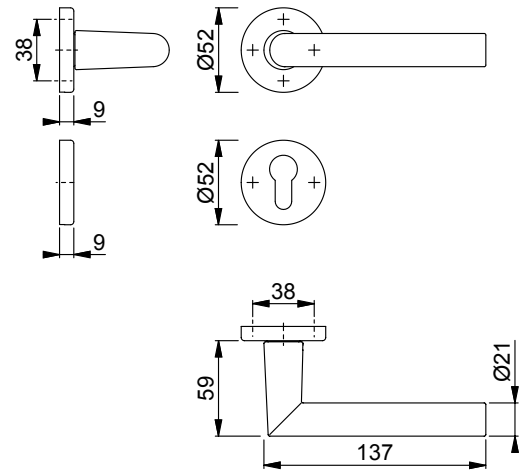
We reserve the right to alter specifications without notice (HIN Architectural Hardware 2015).

Lever handle sets: HOPPE duraplus®

AMSTERDAM

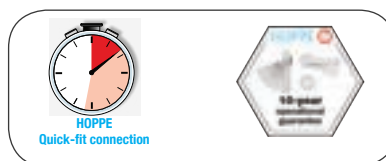


1



Silver

Finish	Material	Door Thickness	Article No.
Silver	Aluminium	37-42mm	904.92.961



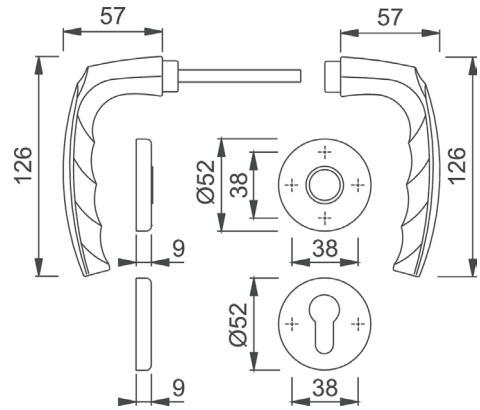
We reserve the right to alter specifications without notice (HIN Architectural Hardware 2015).

Lever handle sets: **HOPPE duraplus®**



1

ATLANTA



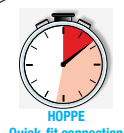
Brushed chrome

Silver

Steel

Finish	Material	Door Thickness	Article No.
Brushed chrome	Brass	37-42mm	901.82.175
Silver	Aluminium	37-42mm	904.92.311
Steel	Aluminium	37-42mm	904.92.319

Special Order



HOPPE
Quick-fit connection



10-year
surface
guarantee

**Quick-fit
plus**

Flat rose available only on
special request

Resista®
10 years' surface
guarantee

We reserve the right to alter specifications without notice (HIN Architectural Hardware 2015).

Lever handle sets: HOPPE duraplus®

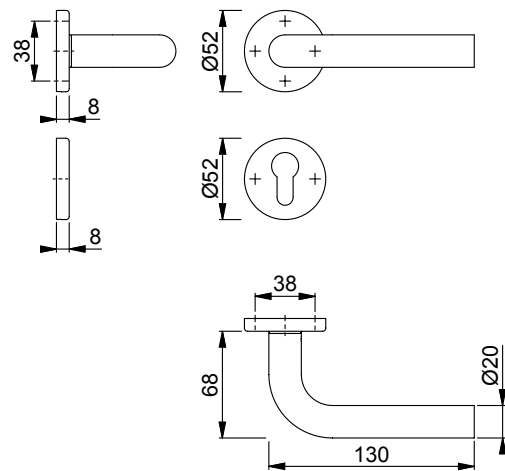
BONN



1



Silver



Finish	Material	Door Thickness	Article No.
Silver	Aluminium	37-42mm	904.92.381



HOPPE
Quick-fit connection



10-year
surface
guarantee

Resista®
10 years' surface
guarantee

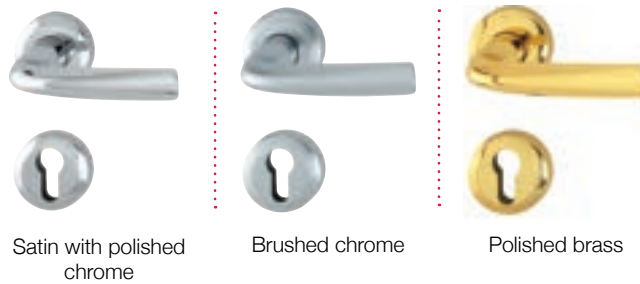
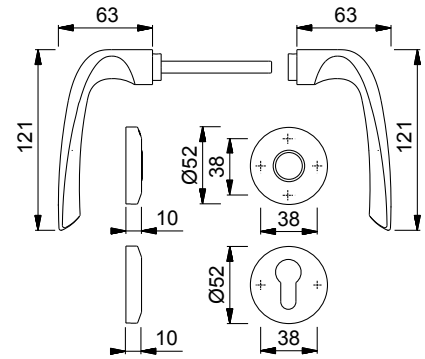
We reserve the right to alter specifications without notice (HIN Architectural Hardware 2015).

Lever handle sets: HOPPE duraplus®

CANNES



1




Satin with polished chrome

Brushed chrome


Polished brass

Finish	Material	Door Thickness	Article No.
Satin with polished chrome	Brass	37-42mm	901.82.252
Brushed chrome	Brass	37-42mm	901.82.254
Polished brass	Brass	37-42mm	901.82.251

Special Order



HOPPE
Quick-fit connection



10-year
warranty

Quick-fit plus

Flat rose available only on special request

Resista®

10 years' surface guarantee

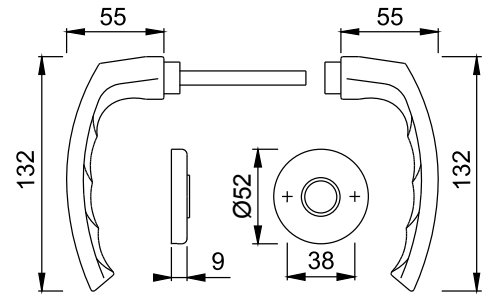
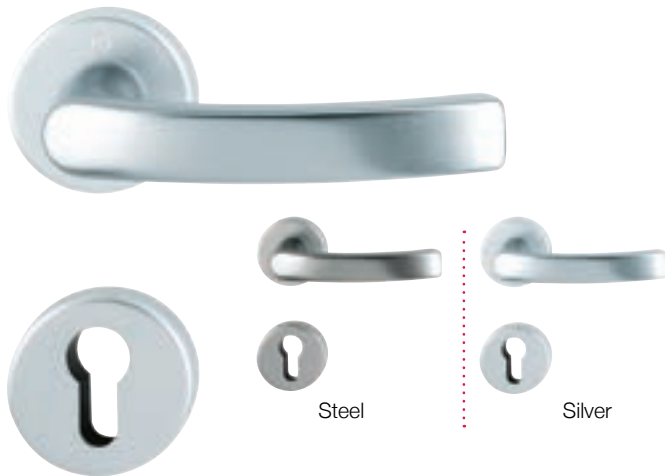
We reserve the right to alter specifications without notice (HIN Architectural Hardware 2015).

Lever handle sets: **HOPPE duraplus®**

LUXEMBOURG



1



Finish	Material	Door Thickness	Article No.
Steel	Aluminium	37-42mm	905.82.229
Silver	Aluminium	37-42mm	905.82.221



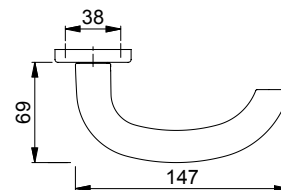
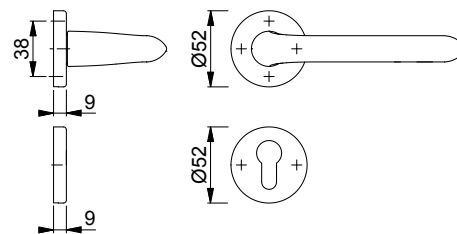
We reserve the right to alter specifications without notice (HIN Architectural Hardware 2015).

Lever handle sets: HOPPE duraplus®

MARSEILLE



1



Steel

Bronze

Silver

Finish	Material	Door Thickness	Article No.
Steel	Aluminium	37-42mm	904.92.170
Bronze	Aluminium	37-42mm	904.92.171
Silver	Aluminium	37-42mm	905.92.481

Special Order



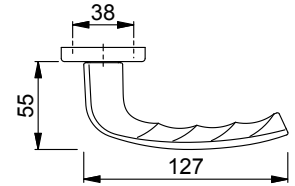
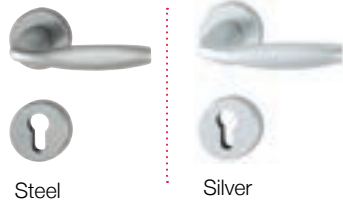
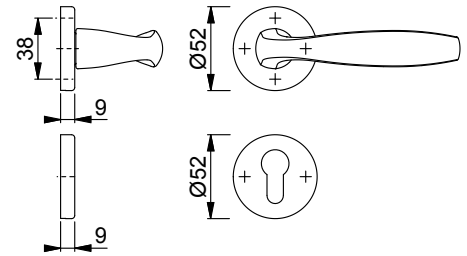
We reserve the right to alter specifications without notice (HIN Architectural Hardware 2015).

Lever handle sets: HOPPE duraplus®

NEW YORK



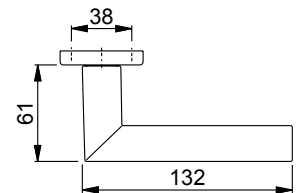
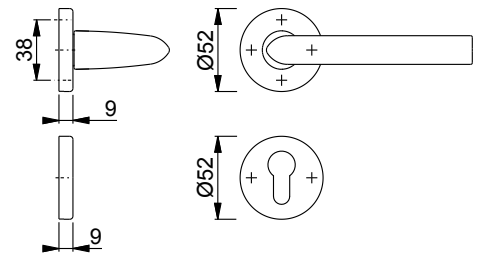
1



Finish	Material	Door Thickness	Article No.
Steel	Aluminium	37-42mm	904.92.033
Silver	Aluminium	37-42mm	904.92.032



STOCKHOLM



Finish	Material	Door Thickness	Article No.
Silver	Aluminium	37-42mm	905.82.039



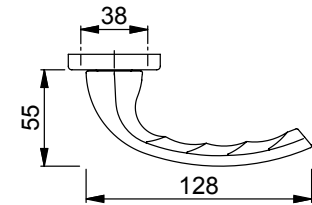
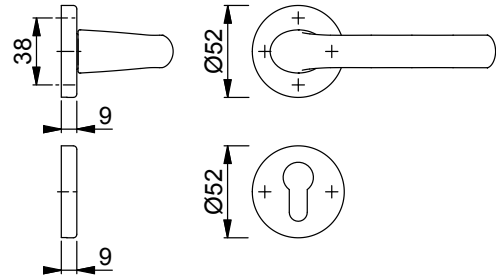
We reserve the right to alter specifications without notice (HIN Architectural Hardware 2015).

Lever handle sets: HOPPE duraplus®

TOKYO



1



Silver

Champagne

Steel

Brushed chrome

Polished brass

Finish	Material	Door Thickness	Article No.
Silver	Aluminium	37-42mm	905.82.201
Champagne	Aluminium	37-42mm	905.82.202
Steel	Aluminium	37-42mm	905.82.209
Brushed chrome	Brass	37-42mm	900.82.004
Polished brass	Brass	37-42mm	900.82.008

Special Order



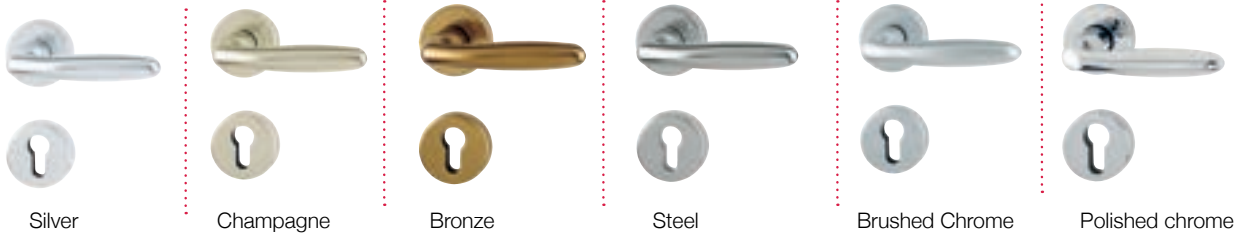
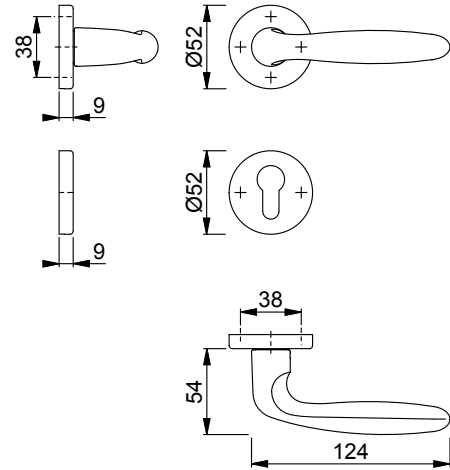
We reserve the right to alter specifications without notice (HIN Architectural Hardware 2015).

Lever handle sets: **HOPPE duraplus®**

VERONA



1



Finish	Material	Door Thickness	Article No.
Silver	Aluminium	37-42mm	904.92.391
Champagne	Aluminium	37-42mm	904.92.39101
Bronze	Aluminium	37-42mm	904.92.39102
Steel	Aluminium	37-42mm	904.92.399
Brushed chrome	Brass	37-42mm	900.82.874
Polished chrome	Brass	37-42mm	900.82.875
Polished brass	Brass	37-42mm	900.82.871

Special Order




Resista®
10 years' surface guarantee
Only for 900.82.874 & 900.82.875

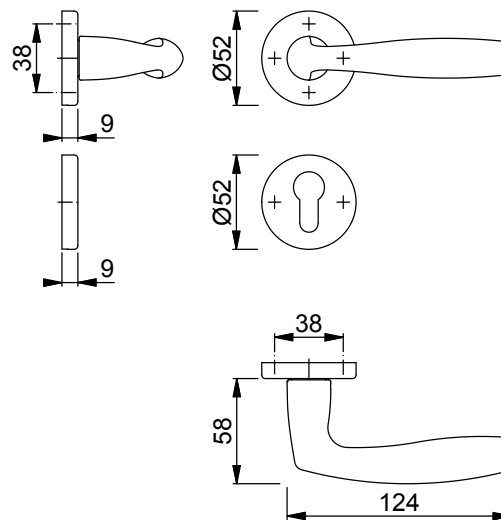
We reserve the right to alter specifications without notice (HIN Architectural Hardware 2015).

Lever handle sets: HOPPE duraplus®

VITORIA



1



Brushed chrome



Polished chrome



Polished brass




Polished brass with Resista




Silver

Finish	Material	Door Thickness	Article No.
Brushed chrome	Brass	37-42mm	901.82.754
Polished chrome	Brass	37-42mm	901.82.752
Polished brass	Brass	37-42mm	900.92.888
Polished brass with Resista	Brass	37-42mm	900.92.885
Silver	Aluminium	37-42mm	905.82.071

Special Order



HOPPE
Quick-fit connection



10-year
surface
guarantee

Quick-fit plus

Flat rose available only on special request

Resista®

10 years' surface guarantee

Only for 901.82.754, 901.82.752 & 900.92.885

We reserve the right to alter specifications without notice (HIN Architectural Hardware 2015).

Lever handle sets HOPPE **duranorm**[®]

1



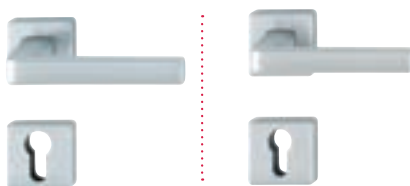
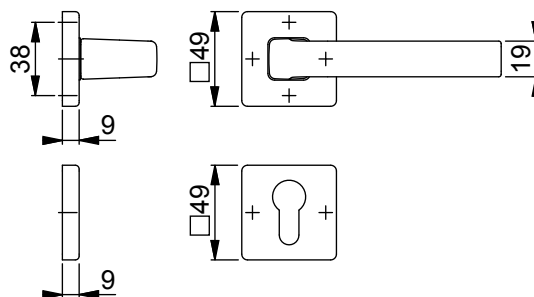
We reserve the right to alter specifications without notice (HIN Architectural Hardware 2015).

Lever handle sets: HOPPE duranorm®

DUBLIN

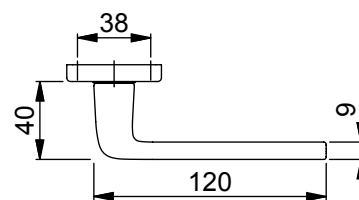


1



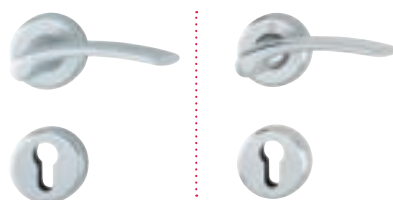
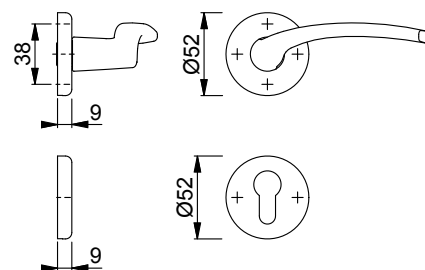
Silver

Satin chrome



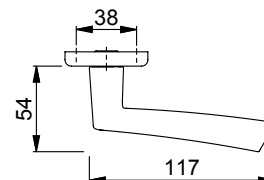
Finish	Material	Door Thickness	Article No.
Silver	Aluminium	37-42mm	904.92.17306
Satin chrome	Aluminium	37-42mm	904.92.17305

IBIZA



Silver

Polished chrome

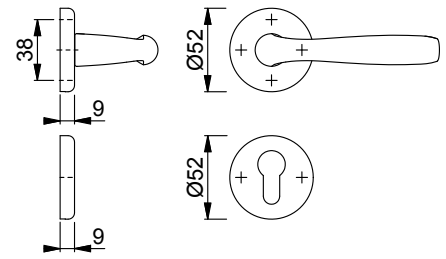


Finish	Material	Door Thickness	Article No.
Silver	Aluminium	37-42mm	904.92.17301
Polished chrome	Aluminium	37-42mm	904.92.17302

We reserve the right to alter specifications without notice (HIN Architectural Hardware 2015).

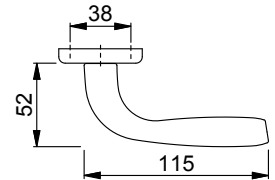
Lever handle sets: **HOPPE duranorm®**

MARIBOR



Silver

Polished chrome



Finish	Material	Door Thickness	Article No.
Silver	Aluminium	37-42mm	904.92.17303
Polished chrome	Aluminium	37-42mm	904.92.17304

We reserve the right to alter specifications without notice (HIN Architectural Hardware 2015).

1

Pull handle sets

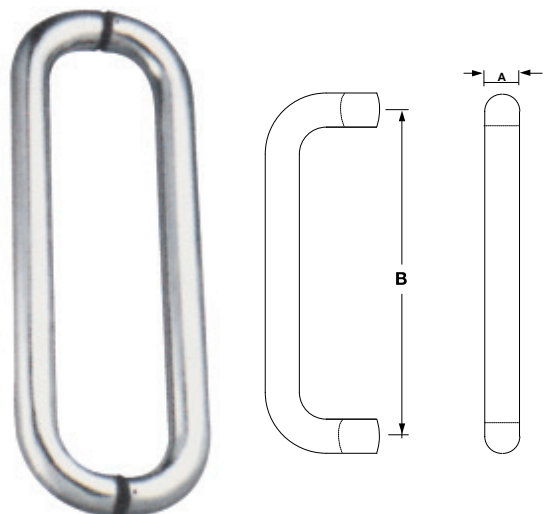
Häfele's range of Pull Handles cater to every imaginable application possible with wooden or glass doors. Available in center-to-center distances ranging from 300 to 600 mm, these pull handles are divided into two sub-ranges depending on the type of installation requirement – be it bolt-through fixing or back-to-back fixing. Made of stainless steel and available in Matt or Polished finishes, these handles are sturdy, durable and present an elegant and stylish aesthetic appeal. Aligned to the practicing trends in international markets, our range provides you with the latest designs and sizes encompassing everything from seamless straight lines or accentuated curves and folds – you are likely to find your perfect pick from what we offer!



We reserve the right to alter specifications without notice (HIN Architectural Hardware 2015).

Pull handle back to back fixing

1



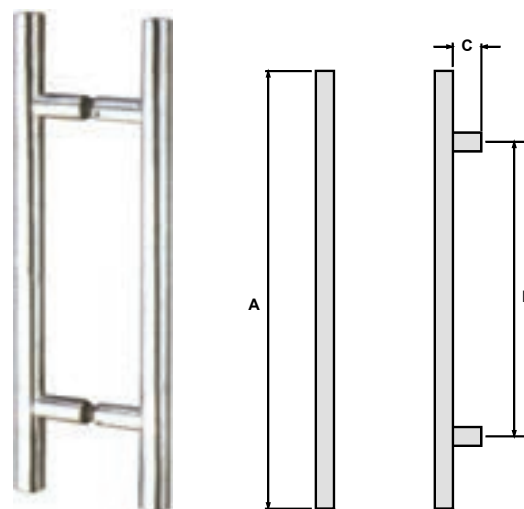
Features

- For glass, aluminium or timber door with back to back fixings
- Screw M8
- For door thickness: 8–50mm
- Glass cut out for fix bolt Ø13 mm

Supplied with

- 1 Set pull handles
- 1 Set screws for glass/ wooden door

Finish	Dimension A	Dimension B	Article No.
SS Matt	19mm Ø	150mm C/C	903.01.601
SS Matt	19mm Ø	200mm C/C	903.01.602
SS Matt	25mm Ø	300mm C/C	903.05.700
SS Matt	25mm Ø	400mm C/C	903.01.614
SS Matt	30mm Ø	600mm C/C	903.01.626



Features

- For glass, aluminium or timber door with back to back fixings
- Screw M8
- For door thickness: 8–50 mm
- Glass cut out for fix bolt Ø13 mm

Supplied with

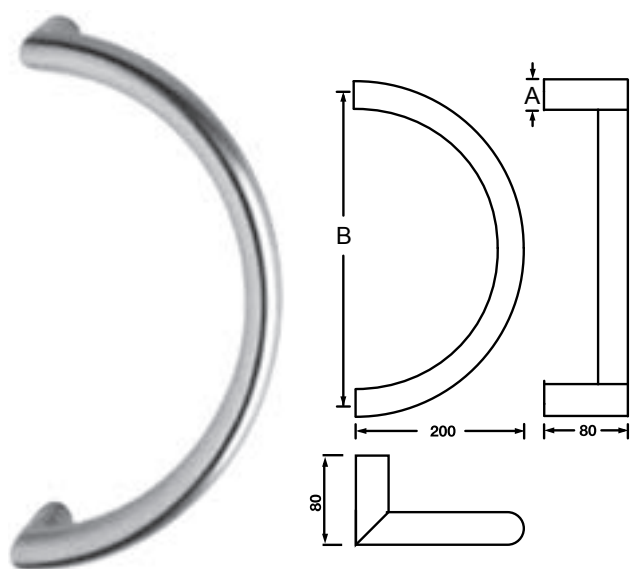
- 1 Set pull handles
- 1 Set screws for glass/ wooden door

Finish	A	B	C	Article No.
SS Matt	25mm Ø	200mm C/C	300mm O/A	903.01.703
SS Matt	25mm Ø	300mm C/C	400mm O/A	903.01.704
SS Matt	25mm Ø	400mm C/C	550mm O/A	903.05.710
SS Matt	25mm Ø	900mm C/C	1200mm O/A	903.01.712
SS Matt	32mm Ø	1200mm C/C	1500mm O/A	903.01.715
SS Matt	32mm Ø	1500mm C/C	1800mm O/A	903.01.718

We reserve the right to alter specifications without notice (HIN Architectural Hardware 2015).

Pull handle back to back fixing

1



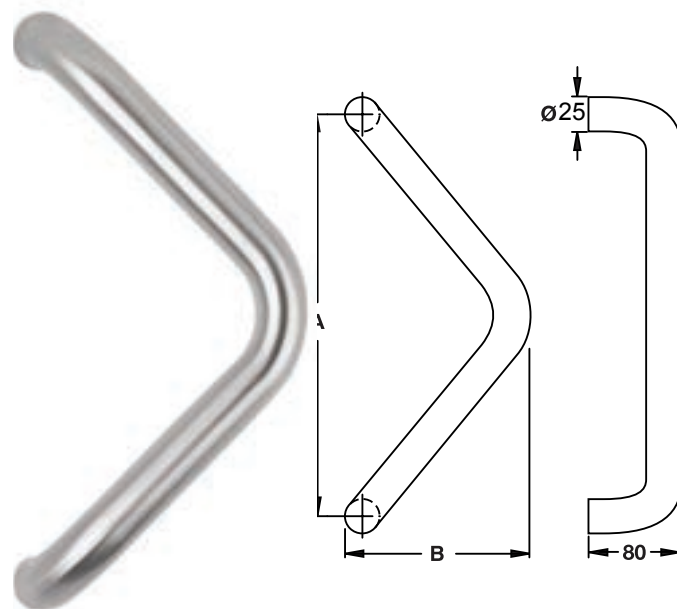
Features

- For glass, aluminium or timber door with back to back fixings
- Screw M8
- For door thickness: 8–50 mm
- Glass cut out for fix bolt Ø13 mm

Supplied with

- 1 Set pull handles
- 1 Set screws for glass/ wooden door

Finish	A	B	Article No.
SS Matt	32mm Ø	300mm C/C	903.05.730



Features

- For glass, aluminium or timber door with back to back fixings
- Screw M8
- For door thickness: 8–50 mm
- Glass cut out for fix bolt Ø13 mm

Supplied with

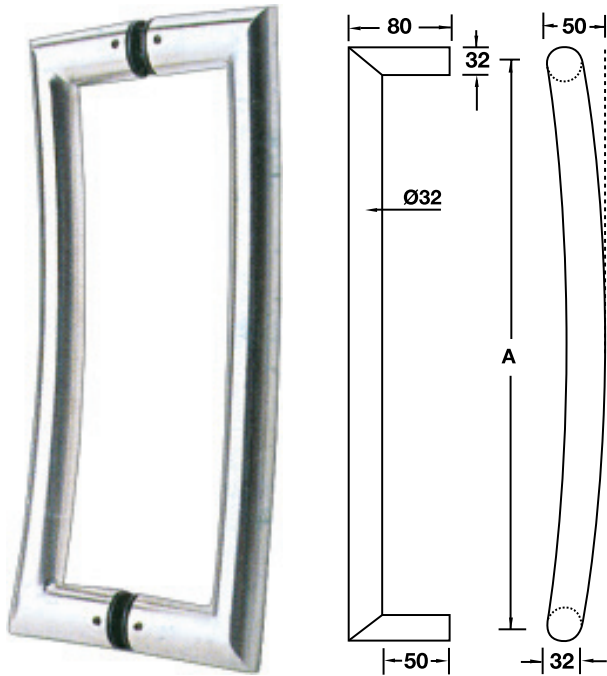
- 1 Set pull handles
- 1 Set screws for glass/ wooden door

Finish	A	B	Article No.
SS Matt	400mm C/C	308 mm	903.05.740

We reserve the right to alter specifications without notice (HIN Architectural Hardware 2015).

Pull handle back to back fixing

1



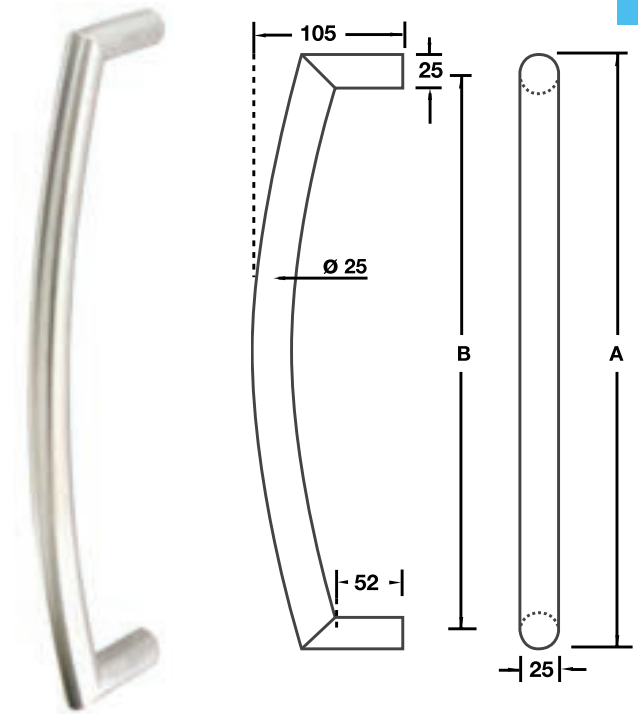
Features

- For glass, aluminium or timber door with back to back fixings
- Screw M8
- For door thickness: 8–50 mm
- Glass cut out for fix bolt Ø13 mm

Supplied with

- 1 Set pull handles
- 1 Set screws for glass/ wooden door

Finish	A	Article No.
SS Matt	400mm C/C	903.05.750



Features

- For glass, aluminium or timber door with back to back fixings
- Screw M8
- For door thickness: 8–50 mm
- Glass cut out for fix bolt Ø13 mm

Supplied with

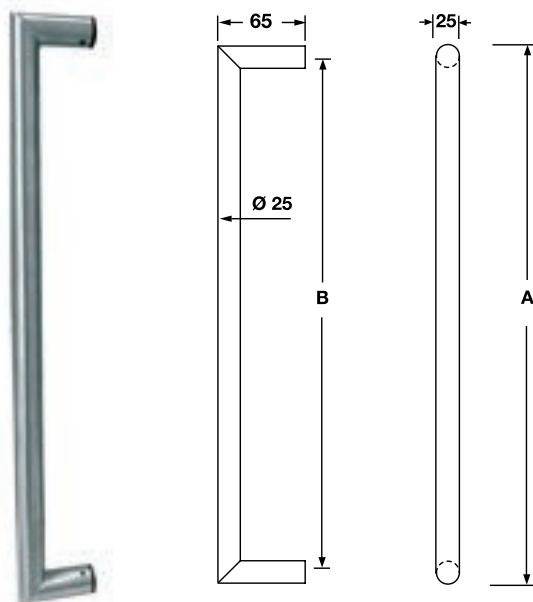
- 1 Set pull handles
- 1 Set screws for glass/ wooden door

Finish	A	B	Article No.
SS Matt	425mm	400mm C/C	903.05.760

We reserve the right to alter specifications without notice (HIN Architectural Hardware 2015).

Pull handle back to back fixing

1



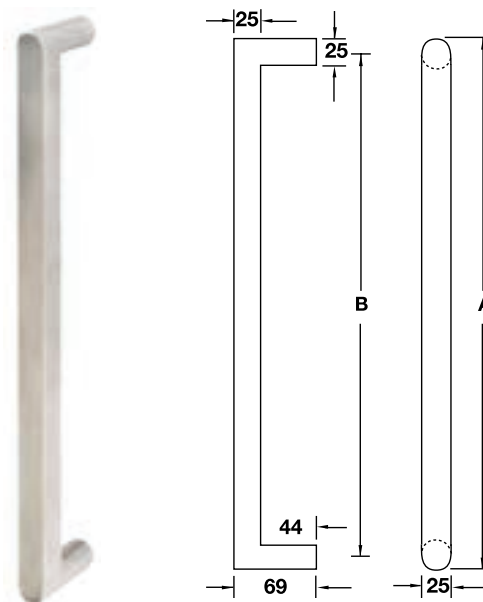
Features

- For glass, aluminium or timber door with back to back fixings
- Screw M8
- For door thickness: 8–50 mm
- Glass cut out for fix bolt Ø13 mm

Supplied with

- 1 Set pull handles
- 1 Set screws for glass/ wooden door

Finish	A	B	Article No.
SS Matt	325mm	300 mm	903.00.370
SS Matt	425mm	400mm	903.00.372



Features

- For glass, aluminium or timber door with back to back fixings
- Screw M8
- For door thickness: 8–50 mm
- Glass cut out for fix bolt Ø13 mm

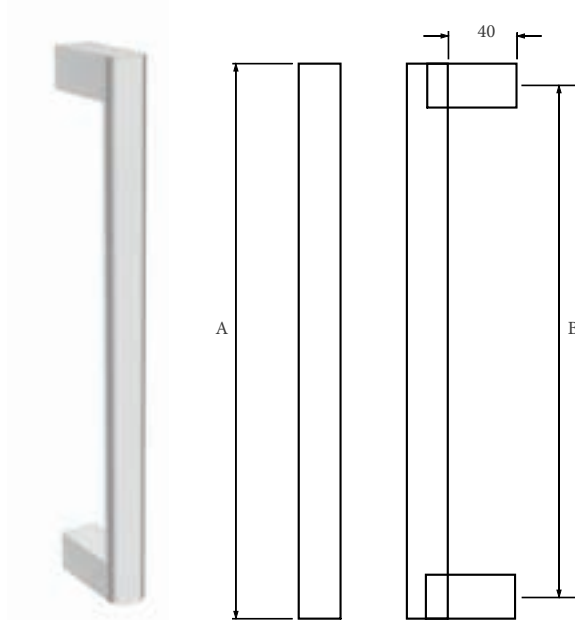
Supplied with

- 1 Set pull handles
- 1 Set screws for glass/ wooden door

Finish	A	B	Article No.
SS Matt	325mm	300mm	903.19.703
SS Matt	425mm	400mm	903.19.704
SS Matt	625mm	600mm	903.19.706

We reserve the right to alter specifications without notice (HIN Architectural Hardware 2015).

Pull handle back to back fixing



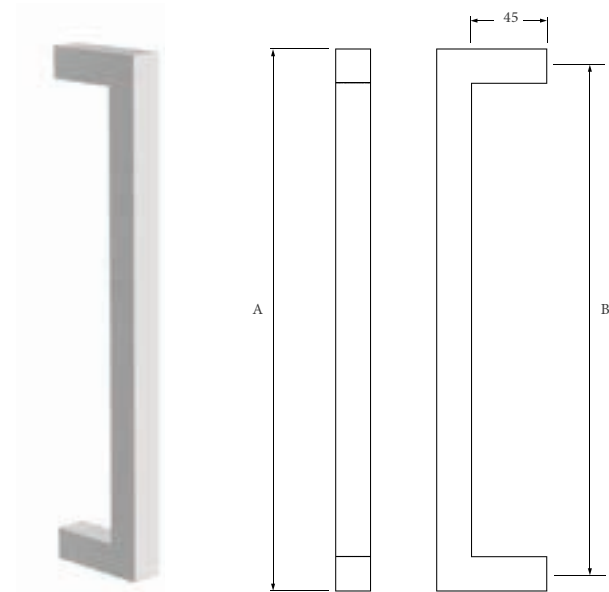
Features

- For glass, aluminium or timber door with back to back fixings
- Screw M8
- For door thickness: 8–50 mm
- Glass cut out for fix bolt Ø13 mm

Supplied with

- 1 Set pull handles
- 1 Set screws for glass/ wooden door

Finish	A	B	Article No.
SS Matt	325mm	300mm	903.19.713
SS Matt	425mm	400mm	903.19.714
SS Matt	625mm	600mm	903.19.716



Features

- For glass, aluminium or timber door with back to back fixings
- Screw M8
- For door thickness: 8–50 mm
- Glass cut out for fix bolt Ø13 mm

Supplied with

- 1 Set pull handles
- 1 Set screws for glass/ wooden door

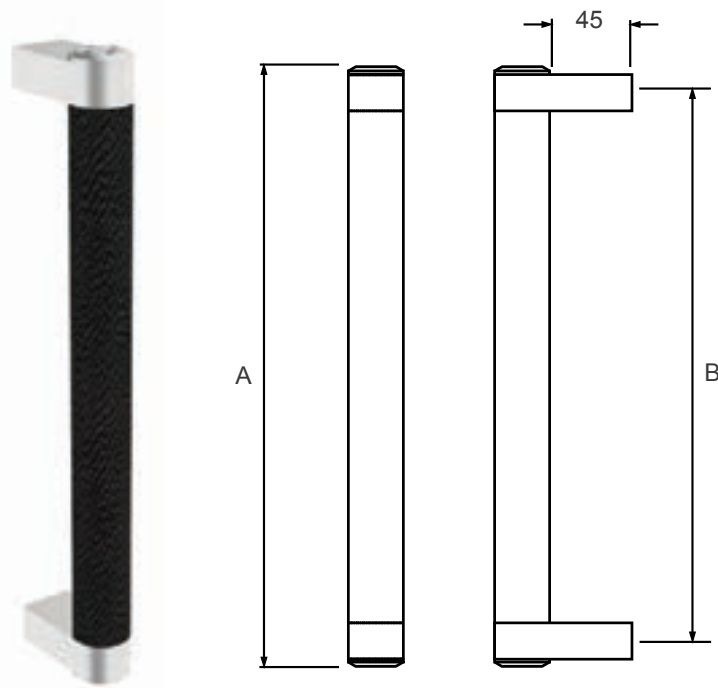
Finish	A	B	Article No.
SS Matt	482mm	450mm	903.19.734
SS Matt	632mm	600mm	903.19.736
SS Matt	932mm	900mm	903.19.739

Special Order

We reserve the right to alter specifications without notice (HIN Architectural Hardware 2015).

Pull handle back to back fixing

1



Features

- For glass, aluminium or timber door with back to back fixings
- Screw M8
- For door thickness: 8–50mm
- Glass cut out for fix bolt Ø13mm

Supplied with

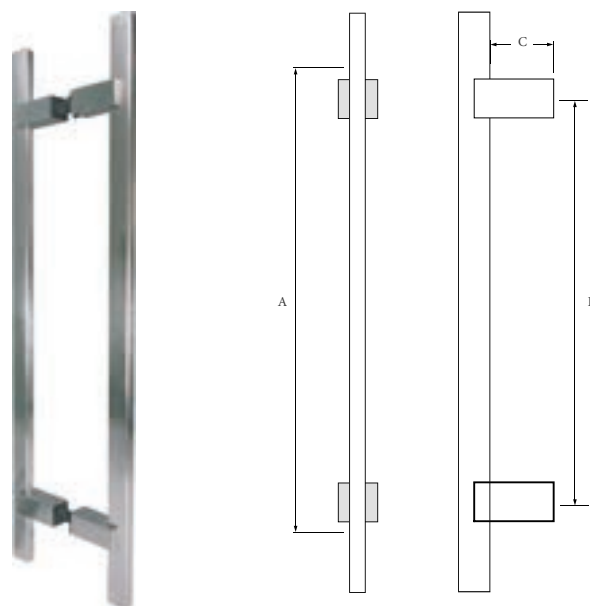
- 1 Set pull handles
- 1 Set screws for glass/ wooden door

Finish	A	B	Article No.
SS Matt/ Black Leather	328mm	300mm	903.01.75301
SS Matt/ Black Leather	428mm	400mm	903.01.75302
SS Matt/ Black Leather	528mm	500mm	903.01.75303
SS Matt/ Black Leather	628mm	600mm	903.01.75304

Special Order



Pull handle back to back fixing



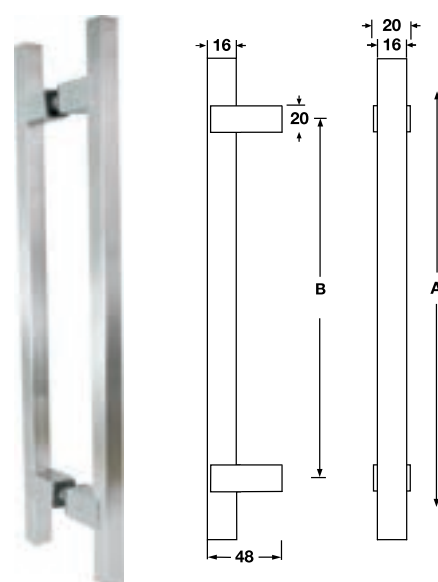
Features

- For glass, aluminium or timber door with back to back fixings
- Screw M8
- For door thickness: 8–50mm
- Glass cut out for fix bolt Ø13mm

Supplied with

- 1 Set pull handles
- 1 Set screws for glass/ wooden door

Finish	A	B	Article No.
SS Matt	550mm	400mm	903.19.744
SS Matt	750mm	600mm	903.19.746



Features

- For glass, aluminium or timber door with back to back fixings
- Screw M8
- For door thickness: 8–50mm
- Glass cut out for fix bolt Ø13mm

Supplied with

- 1 Set pull handles
- 1 Set screws for glass/ wooden door

Finish	A	B	Article No.
SS Matt	400mm	300mm	903.19.723
SS Matt	550mm	400mm	903.19.724
SS Matt	750mm	600mm	903.19.726

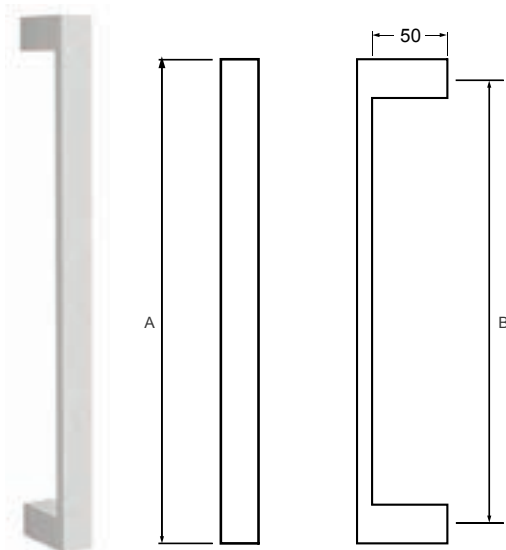
Special Order



We reserve the right to alter specifications without notice (HIN Architectural Hardware 2015).

Pull handle back to back fixing

1



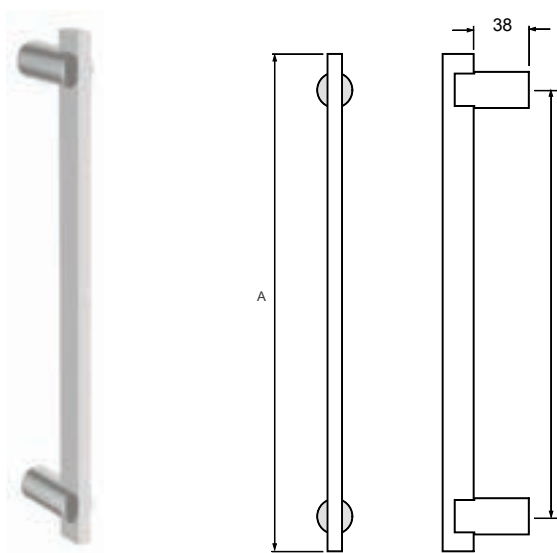
Features

- For glass, aluminium or timber door with back to back fixings
- Screw M8
- For door thickness: 8–50mm
- Glass cut out for fix bolt Ø13mm

Supplied with

- 1 Set pull handles
- 1 Set screws for glass/ wooden door

Finish	A	B	Article No.
SS Matt	325mm	300mm	903.01.743
SS Matt	425mm	400mm	903.01.744
SS Matt	625mm	600mm	903.01.746



Features

- For glass, aluminium or timber door with back to back fixings
- Screw M8
- For door thickness: 8–50mm
- Glass cut out for fix bolt Ø13mm

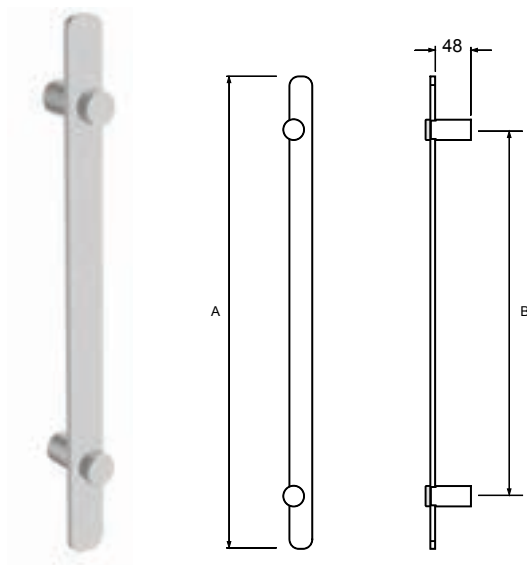
Supplied with

- 1 Set pull handles
- 1 Set screws for glass/ wooden door

Finish	A	B	Article No.
SS Matt	550mm	400mm	903.01.753
SS Matt	750mm	600mm	903.01.754
SS Matt	650mm	600mm	903.01.756

We reserve the right to alter specifications without notice (HIN Architectural Hardware 2015).

Pull handle back to back fixing



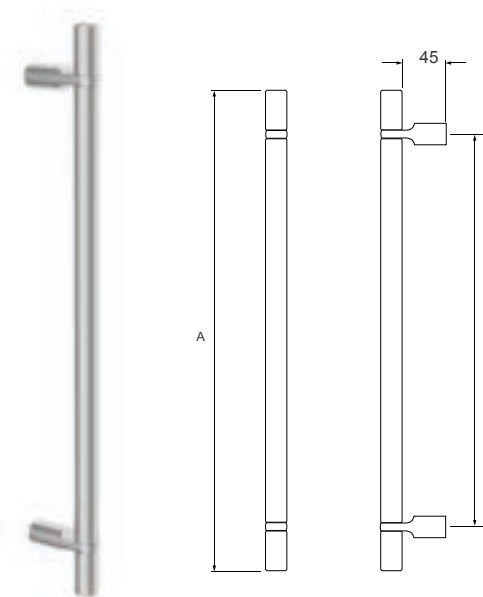
Features

- For glass, aluminium or timber door with back to back fixings
- Screw M8
- For door thickness: 8–50mm
- Glass cut out for fix bolt Ø13mm

Supplied with

- 1 Set pull handles
- 1 Set screws for glass/ wooden door

Finish	A	B	Article No.
SS Matt	430mm	300mm	903.08.223
SS Matt	580mm	450mm	903.08.224



Features

- For glass, aluminium or timber door with back to back fixings
- Screw M8
- For door thickness: 8–50mm
- Glass cut out for fix bolt Ø13mm

Supplied with

- 1 Set pull handles
- 1 Set screws for glass/ wooden door

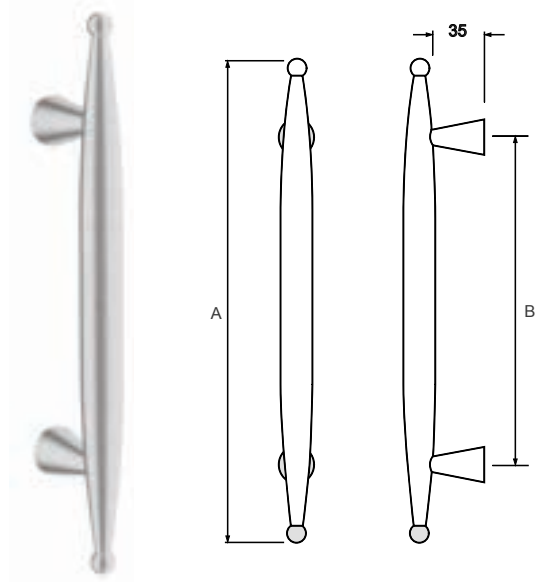
Finish	A	B	Article No.
SS Matt	490mm	400mm	903.08.214
SS Matt	690mm	600mm	903.08.216

1

We reserve the right to alter specifications without notice (HIN Architectural Hardware 2015).

Pull handle back to back fixing

1



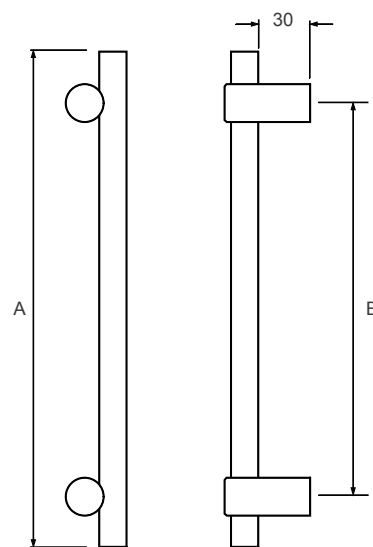
Features

- For glass, aluminium or timber door with back to back fixings
- Screw M8
- For door thickness: 8–50mm
- Glass cut out for fix bolt Ø13mm

Supplied with

- 1 Set pull handles
- 1 Set screws for glass/ wooden door

Finish	A	B	Article No.
SS Matt	515mm	400mm	903.12.602
SS Polished	515mm	400mm	903.12.603



Features

- For glass, aluminium or timber door with back to back fixings
- Screw M8
- For door thickness: 8–50mm
- Glass cut out for fix bolt Ø13mm

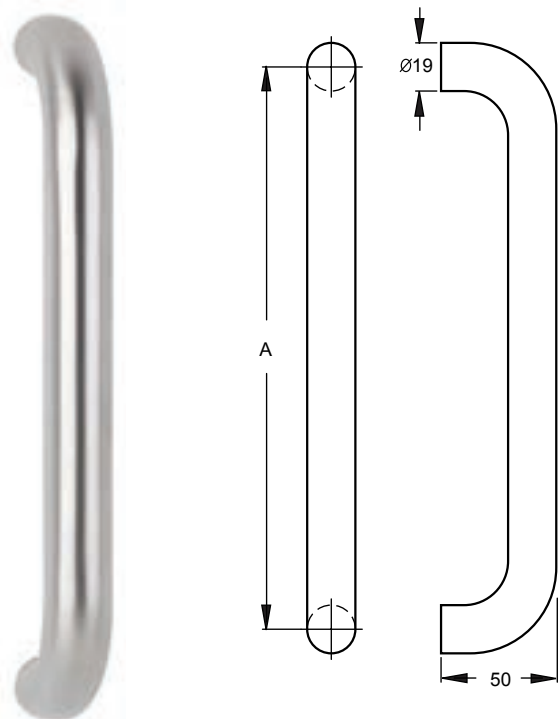
Supplied with

- 1 Set pull handles
- 1 Set screws for glass/ wooden door

Finish	A	B	Article No.
SS Matt	360mm	300mm	903.12.610
SS Polished	360mm	300mm	903.12.611

We reserve the right to alter specifications without notice (HIN Architectural Hardware 2015).

Pull handle bolt through fixing



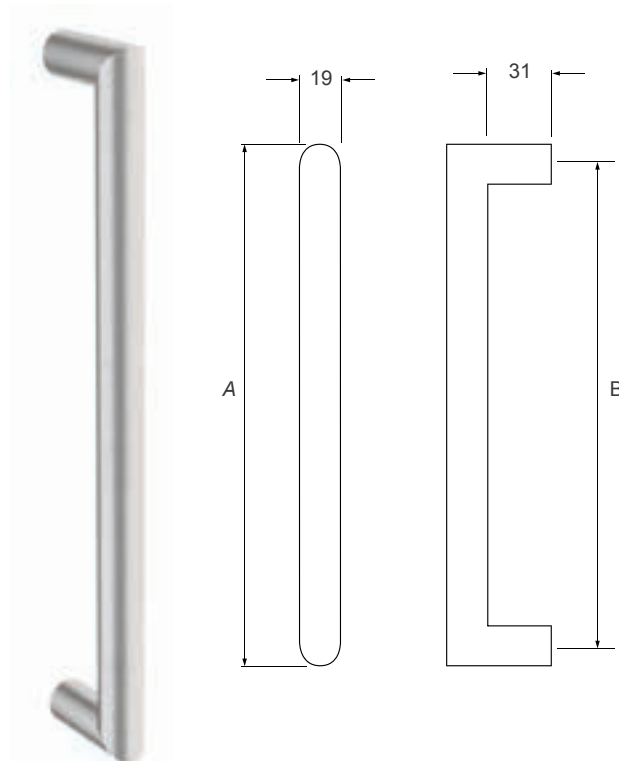
Features

- For glass, aluminium or timber door with back to back fixings
- Screw M8
- For door thickness: 8–50mm
- Glass cut out for fix bolt Ø13mm

Supplied with

- 1 Set pull handles
- 1 Set screws for glass/ wooden door

Finish	A	Article No.
SS Matt	150mm	903.05.770
SS Matt	200mm	903.05.771
SS Matt	250mm	903.05.772



Features

- For glass, aluminium or timber door with back to back fixings
- Screw M8
- For door thickness: 8–50mm
- Glass cut out for fix bolt Ø13mm

Supplied with

- 1 Set pull handles
- 1 Set screws for glass/ wooden door

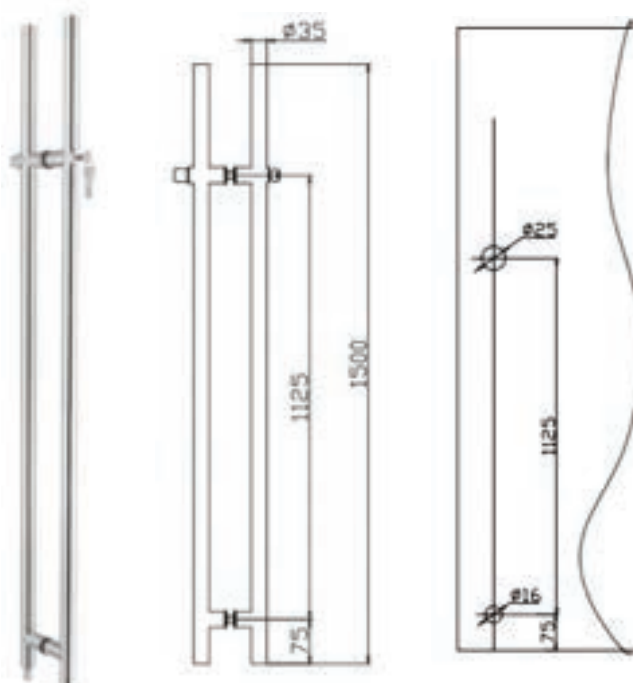
Finish	A	Article No.
SS Matt	150mm	903.05.780
SS Matt	200mm	903.05.781
SS Matt	250mm	903.05.782

We reserve the right to alter specifications without notice (HIN Architectural Hardware 2015).

1

Pull handles with lock

1



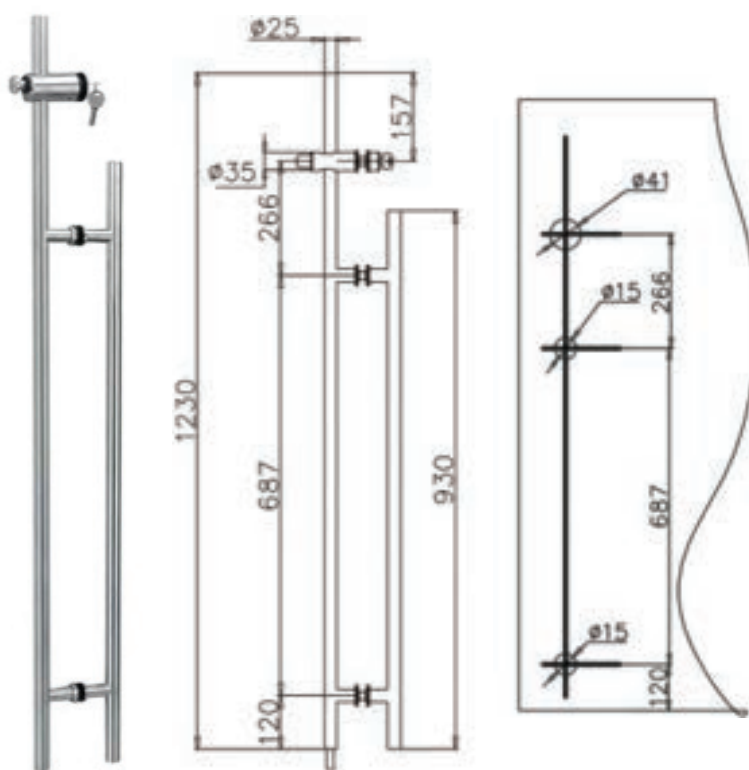
Features

- Pull Handle with Lock
- Key and thumb-turn
- 35mm diameter,
- O/A distance: 1500mm
- Stainless Steel Matt

Supplied with

- 1 Set pull handles
- 1 Set screws for glass/ wooden door
- 1 piece dust proof strike

Finish	Article No.
SS Matt	903.04.136



Features

- Pull Handle with Lock
- Key and thumb-turn
- 25mm diameter,
- O/A distance: 1230mm
- Stainless Steel Matt

Supplied with

- 1 Set pull handles
- 1 Set screws for glass/ wooden door
- 1 piece dust proof strike

Finish	Article No.
SS Matt	903.52.090

We reserve the right to alter specifications without notice (HIN Architectural Hardware 2015).

Wooden Door Flush handles

SS Round Flush Handle



Finish	Size	Article No.
SS Matt	50mm Ø	902.01.400
SS Matt	85mm Ø	902.01.402

SS Oval Flush Handle



Finish	Size	Article No.
SS Matt	102 x 50mm	902.01.410
SS Matt	150 x 54mm	902.01.412

SS Rectangle Flush Handle



Finish	Size	Article No.
SS Matt	102 x 50mm	902.01.420
SS Matt	150 x 54mm	902.01.422

SS Rectangle Flush Handle



Finish	Size	Article No.
SS Matt	150 x 75mm	902.01.430

We reserve the right to alter specifications without notice (HIN Architectural Hardware 2015).

2

Locking and Security





Mortise Cylinder Locks



Mortise Cylinder Locks.....2.9
Mortise Latch Locks.....2.12
Mortise Roller Lock.....2.14
Mortise Cylinder Deadlock.....2.15
Mortise Toilet Locks.....2.16
Mortise Toilet Deadlock.....2.18
Shaft Door Locks.....2.19
Toilet Indicator Bolt.....2.19
Sliding Door Locks.....2.23

2

WC Indicator Locks



Individual Set Components.....2.20

Mortise Jigs



Mortise Jigs.....2.28

We reserve the right to alter specifications without notice (HIN Architectural Hardware 2015).

Euro Profile Cylinder



Euro Profile Cylinders.....2.31
 Euro Profile Master Keys.....2.39
 Euro Profile Computer Key Cylinders.....2.41
 Euro Profile High Security Cylinders.....2.44
 Euro Profile High Security Cylinders.....2.44
 Construction Site Key.....2.46

Knob Locksets



Standard Duty Knob Locksets.....2.47
 Light Duty Knob Locksets.....2.59
 Forma Knob set for Wooden Door.....2.61

Electronic Locking System



Electronic Locking System.....2.62
 Door terminals Dialock.....2.64
 Electronic profile cylinder Dialock2.83
 Wall terminal set Dialock2.88
 Access control system and accessories.....2.104

Panic Exit Devices



Panic Exit Devices.....2.122

We reserve the right to alter specifications without notice (HIN Architectural Hardware 2015).



Mortise locks: Door direction

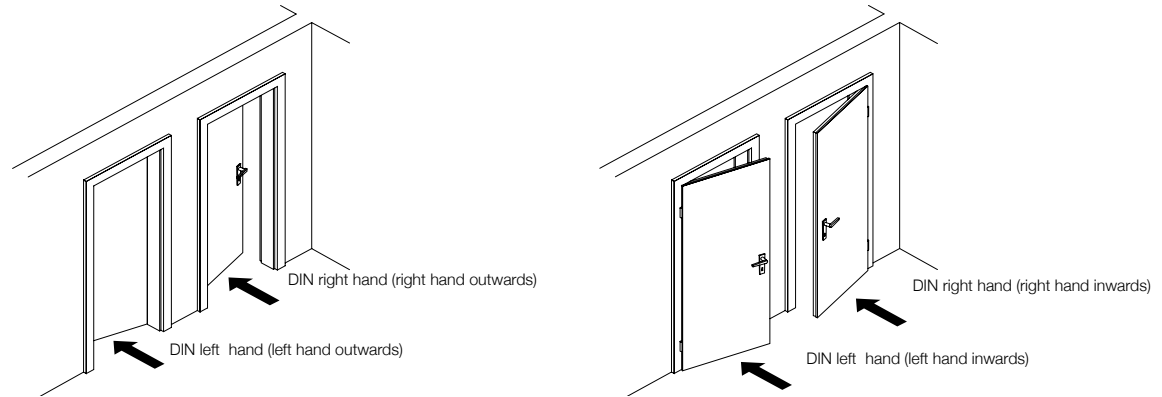
Depending on the pivot direction of a door, a door is classified as a left and right hand door. The door direction or side definition according to DIN 107 is determined as follows:

Visible position of the door hinges on the left = DIN left

Visible position of the door hinges on the right = DIN right

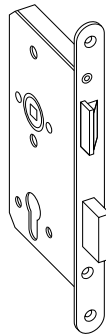
Common definitions derived from the access direction:

2

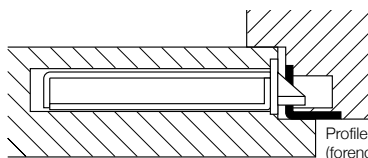
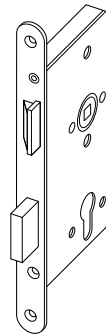


In accordance with the door directions, the mortise locks are also classified as DIN left and DIN right hand locks:

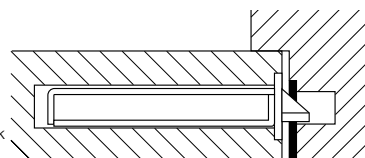
DIN left hand lock
(the straight side of the latch points to the left)



DIN right hand lock
(the straight side of the latch points to the right)

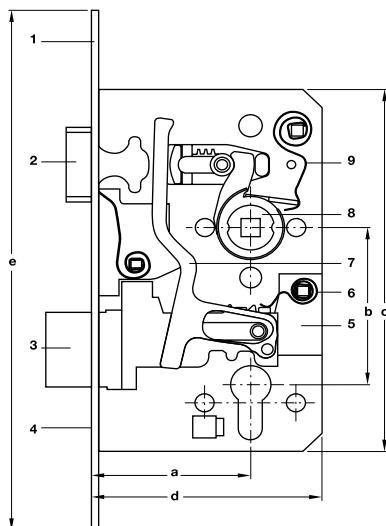


Profile of a rebated door with mortise lock
(forend protruding on one side)



Profile of a flush door with mortise lock
(forend protrudes on both sides)

Parts of a Mortise Lock



- 1 Forend
 - 2 Latch
 - 3 Deadbolt
 - 4 Screw channel for profile cylinder
 - 5 Tumbler
 - 6 Tumbler spring
 - 7 Key action
 - 8 Lever follower
 - 9 Counter spring
- a Backset
 - b Distance
 - c Case height
 - d Case width
 - e Forend length
 - f Forend width

We reserve the right to alter specifications without notice (HIN Architectural Hardware 2015).

EN 12209: 2003 - Mechanically operated locks, latches and locking plates

Scope

This standard covers the requirement and test methods for durability, strength, security and function of all types of mechanical locks and latches (including associated or separately locking plates), intended for use on pedestrian doors in buildings. Excluding electro-mechanically operated locks and striking plates, multipoint locks and their locking plates, locks for windows, padlocks, locks for safes, furniture locks and prison locks.

2

Classification

The standard classifies locks and latches using the 11 digit coding system. Each digit relates to a particular feature of the product measured against the standards performance requirements.



Digit 1 - Category of use

Classification is in three grades, grade 1 being the lowest

Grade 1: Low frequency. For use by people with a high incentive to exercise care and a small chance of misuse, e.g internal residential doors.

Grade 2: Medium frequency. For use by people with some incentive to exercise care but where there is some chance of misuse, e.g. internal office doors.

Grade 3: High frequency. For use by public or others with little incentive to exercise care and with a high chance of misuse, e.g. public doors



Digit 2 - Durability

Twelve grades of durability are identified:

Grade A: 50,000 cycles, no load on latch bolt

Grade B: 100,000 cycles, no load on latch bolt

Grade C: 200,000 cycles, no load on latch bolt

Grade F: 50,000 cycles, 10N load on latch bolt

Grade G: 100,000 cycles, 10N load on latch bolt

Grade H: 200,000 cycles, 10N load on latch bolt

Grade L: 100,000 cycles, 25N load on latch bolt

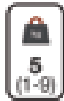
Grade M: 200,000 cycles, 25N load on latch bolt

Grade R: 100,000 cycles, 50N load on latch bolt

Grade S: 200,000 cycles, 50N load on latch bolt

Grade W: 100,000 cycles, 120N load on latch bolt

Grade X: 200,000 cycles, 120N load on latch bolt



Digit 3 - Door mass and closing force

Nine grades of door mass and closing force are identified:

- Grade 1: Up to 100 kg door mass; 50N maximum closing force
- Grade 2: Up to 200 kg door mass; 50N maximum closing force
- Grade 3: Up to 200 kg door mass or specified by the manufacturer; 50N maximum closing force
- Grade 4: Up to 100 kg door mass; 25N maximum closing force
- Grade 5: Up to 200 kg door mass; 25N maximum closing force
- Grade 6: Up to 200 kg door mass or specified by the manufacturer; 25N maximum closing force
- Grade 7: Up to 100 kg door mass; 15N maximum closing force
- Grade 8: Up to 200 kg door mass; 15N maximum closing force
- Grade 9: Up to 200 kg door mass or specified by the manufacturer; 15N maximum closing force



Digit 4 - Fire resistance

Two grades of suitability for use on fire/smoke doors are identified:

- Grade 0: Not approved for use on fire/smoke door assemblies
- Grade 1: Suitable for use on fire/smoke door assemblies tested to EN 1634-1 etc

Note 1. A grade 1 classification means only that the lock has been designed for use on fire/smoke control doors; the actual fire performance achieved (e.g. fire integrity of 30 minutes on a partially glazed timber door etc.) will be contained in a separate fire test report.

Note 2. Where a product is intended for fire/smoke use (i.e. "1" in box 4), it must be possible to demonstrate compliance with the Essential Requirements of the Construction Products (Amendments) Regulations. It is recommended that the product should bear the CE mark.



Digit 5 - Safety

Only one grade of safety is identified:

- Note: A lock or latch conforming to this standard can, at the same time, also be part of an exit device conforming to EN 179 or EN 1125



Digit 6 - Corrosion resistance and temperature

Eight grades of corrosion resistance are identified:

- Grade 0: No defined corrosion resistance; no temperature requirement
- Grade A: Low corrosion resistance; no temperature requirement
- Grade B: Moderate corrosion resistance; no temperature requirement
- Grade C: High corrosion resistance; no temperature requirement
- Grade D: Very high corrosion resistance; no temperature requirement
- Grade E: Moderate corrosion resistance; temperature requirement: from -20°C to +80°C
- Grade F: High corrosion resistance; temperature requirement: from -20°C to +80°C
- Grade G: Very high corrosion resistance; temperature requirement: from -20°C to +80°C



Digit 7 - Security and drill resistance

Seven grades of security and drill resistance are identified:

- Grade 1: Minimum security and no drill resistance
- Grade 2: Low security and no drill resistance
- Grade 3: Medium security and no drill resistance
- Grade 4: High security and no drill resistance
- Grade 5: High security with drill resistance
- Grade 6: Very high security and no drill resistance
- Grade 7: Very high security with drill resistance



Digit 8 - Field of door application.

Fifteen grades of door application are identified in the table below:

Grade	Type	Application 1	Application 2	Application 3
A	Mortise	Unrestricted application	–	–
B	Mortise	Hinged door	–	–
C	Mortise	Sliding door	–	–
D	Rim	Unrestricted application	–	–
E	Rim	Hinged door	–	–
F	Rim	Sliding door	–	–
G	Bored lock	Unrestricted application	–	–
H	Mortise	Hinged door	Supported	–
J	Rim	Hinged door	Inwards	–
K	Mortise	Hinged door	–	Locked from inside
L	Mortise	Sliding door	–	Locked from inside
M	Rim	Hinged door	–	Locked from inside
N	Rim	Sliding door	–	Locked from inside
P	Mortise	Hinged door	Supported	Locked from inside
R	Rim	Hinged door	Inwards	Locked from inside

We reserve the right to alter specifications without notice (HIN Architectural Hardware 2015).



Digit 9 - Type of key operation and locking

Nine grades of type of key operation and locking are identified:

- Grade 0: Not applicable
- Grade A: Cylinder lock or latch; manual locking
- Grade B: Cylinder lock or latch; automatic locking
- Grade C: Cylinder lock or latch; manual locking with intermediate locking
- Grade D: Lever lock or latch; manual locking
- Grade E: Lever lock or latch; automatic locking
- Grade F: Lever lock or latch; manual locking with intermediate locking
- Grade G: Lock or latch without key operation; manual locking
- Grade H: Lock without key operation; automatic locking



Digit 10 - Type of spindle operation

Five grades of spindle operation are identified:

- Grade 0: Lock without follower
- Grade 1: Lock with sprung lever or knob
- Grade 2: Lock with light unsprung lever
- Grade 3: Lock with heavy unsprung lever
- Grade 4: Lock with manufacturer's own specification furniture



Digit 11 - Key identification

Nine grades of key identification are identified:

- Grade 0: No requirement
- Grade A: Minimum three detaining elements
- Grade B: Minimum five detaining elements
- Grade C: Minimum five detaining elements, extended number of effective differs
- Grade D: Minimum six detaining elements
- Grade E: Minimum six detaining elements, extended number of effective differs
- Grade F: Minimum seven detaining elements
- Grade G: Minimum seven detaining elements, extended number of effective differs
- Grade H: Minimum eight detaining elements, extended number of effective differs

Note: This applies only to lever locks: cylinders are assessed to BS EN 1303: 1998

Classification code:

:2:H:5:1:0:E:5:A:F:2:C:

Code shown using DHF graphic icons:

EN 12209



Example

This indicates a mechanically operated lock and locking plate

intended for use in situations where there is an incentive to exercise care; that will withstand a durability of 200,000 cycles with 10N side load on the latch bolt on a door of up to 200 kg in mass; that will close with a maximum force of 25N; that is suitable for use on a fire/smoke resisting door; that has no safety requirement; that has moderate corrosion resistance over a temperature range of -20°C to +80°C; that has high security and drill resistance; that is suitable for unsprung furniture; and that has five detaining elements with a minimum of 10,000 differs

Mortise Cylinder lock



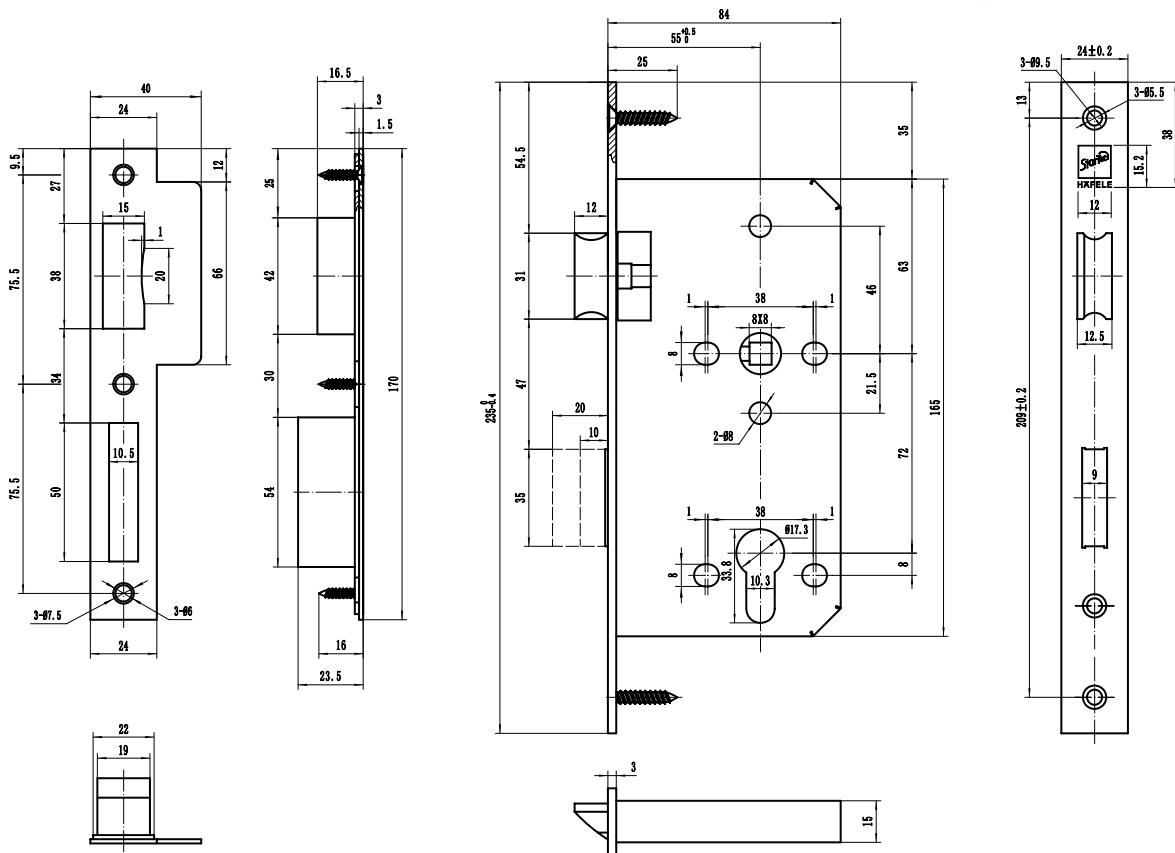
Features

- Heavy duty springing
- Anti corrosive plating
- Double throw deadbolt
- Stainless steel dead bolt & latch

Technical Data

- 55mm backset
- 24mm forend
- 72mm centres
- Case size: 84mm X 165mm

Finish	Article No.
Stainless Steel Matt (304)	911.02.124
Brass Polished	911.02.12407
Antique Brass	911.02.12404
Stainless Steel Polished	911.02.12406



We reserve the right to alter specifications without notice (HIN Architectural Hardware 2015).

Mortise Cylinder lock



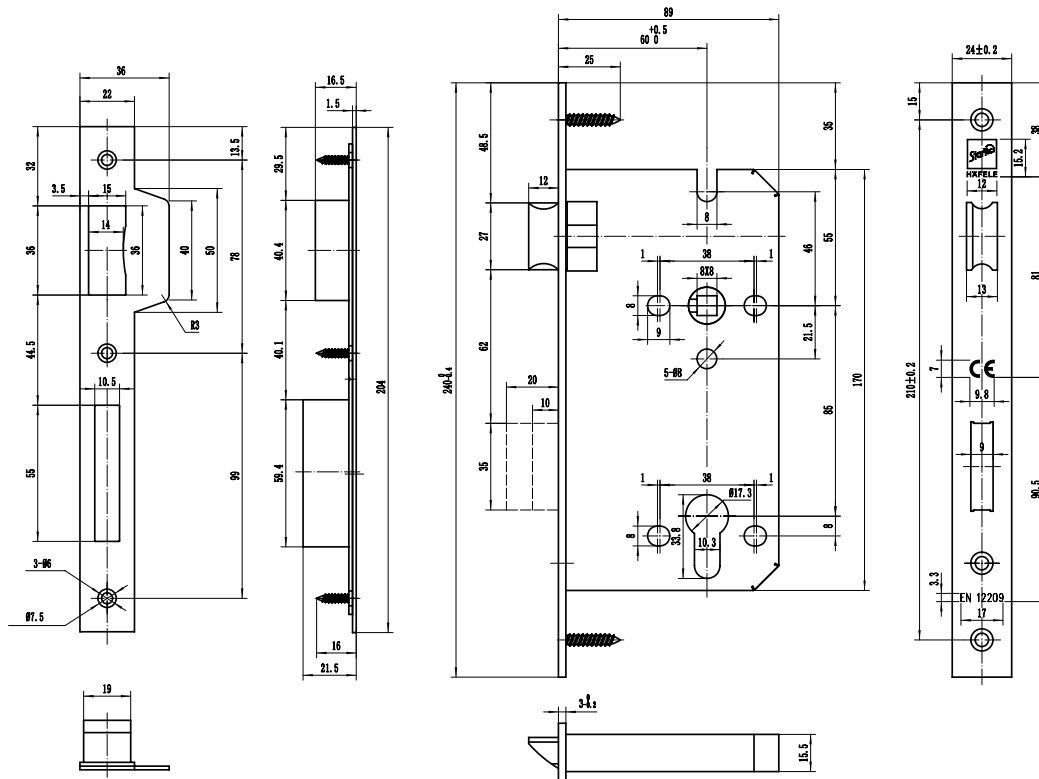
Features

- Heavy duty springing
- Anti corrosive plating
- Double throw deadbolt
- Stainless steel dead bolt & latch

Technical Data

- 24mm forend
- 85mm centres
- Case Size: 74 x 170mm for 45 mm Backset
 89 x 170 mm for 60 mm Backset

Finish	Backset	Article No.
Stainless Steel Matt (304)	45mm	911.02.165
Stainless Steel Matt (304)	60mm	911.02.161



We reserve the right to alter specifications without notice (HIN Architectural Hardware 2015).

2

Mortise Cylinder Lock



Features

- Standard Residential Mortise Lock
- According to EN 12209 – Grade 3
- For wooden or steel doors
- For single-leaf doors
- Zinc alloy latch & deadbolt
- Stainless steel forend
- 5 year warranty (on functionality of the lock)

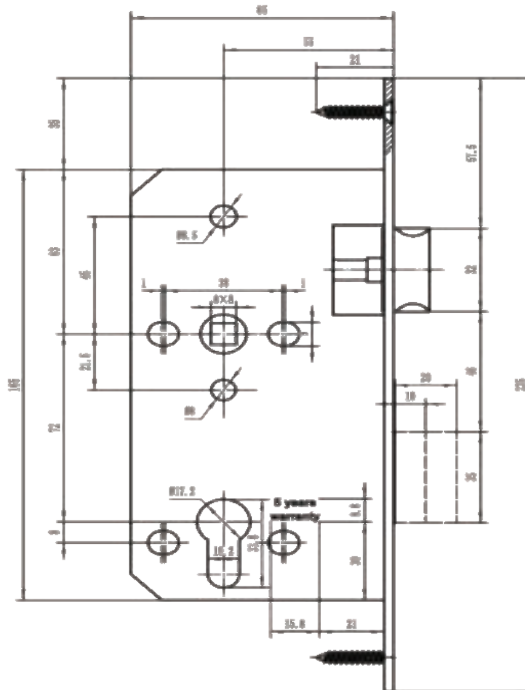
Technical Data

- Case size: 84 mm x165 mm
- 8 mm follower
- 55 mm backset
- 72 mm centres

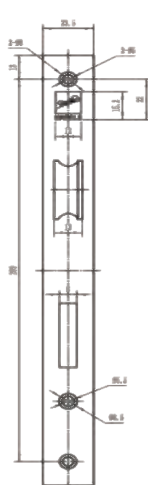
Finish	Article No.
Stainless Steel Matt (304)	911.02.164



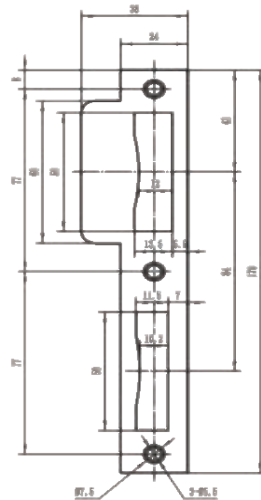
2



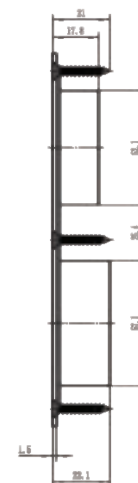
Lock Body Side-View



Forend



Strike Plate



Strike Plate Side-View

We reserve the right to alter specifications without notice (HIN Architectural Hardware 2015).

Mortise Latch Lock



Features

- Heavy duty springing
- Anti corrosive plating
- Stainless steel latch

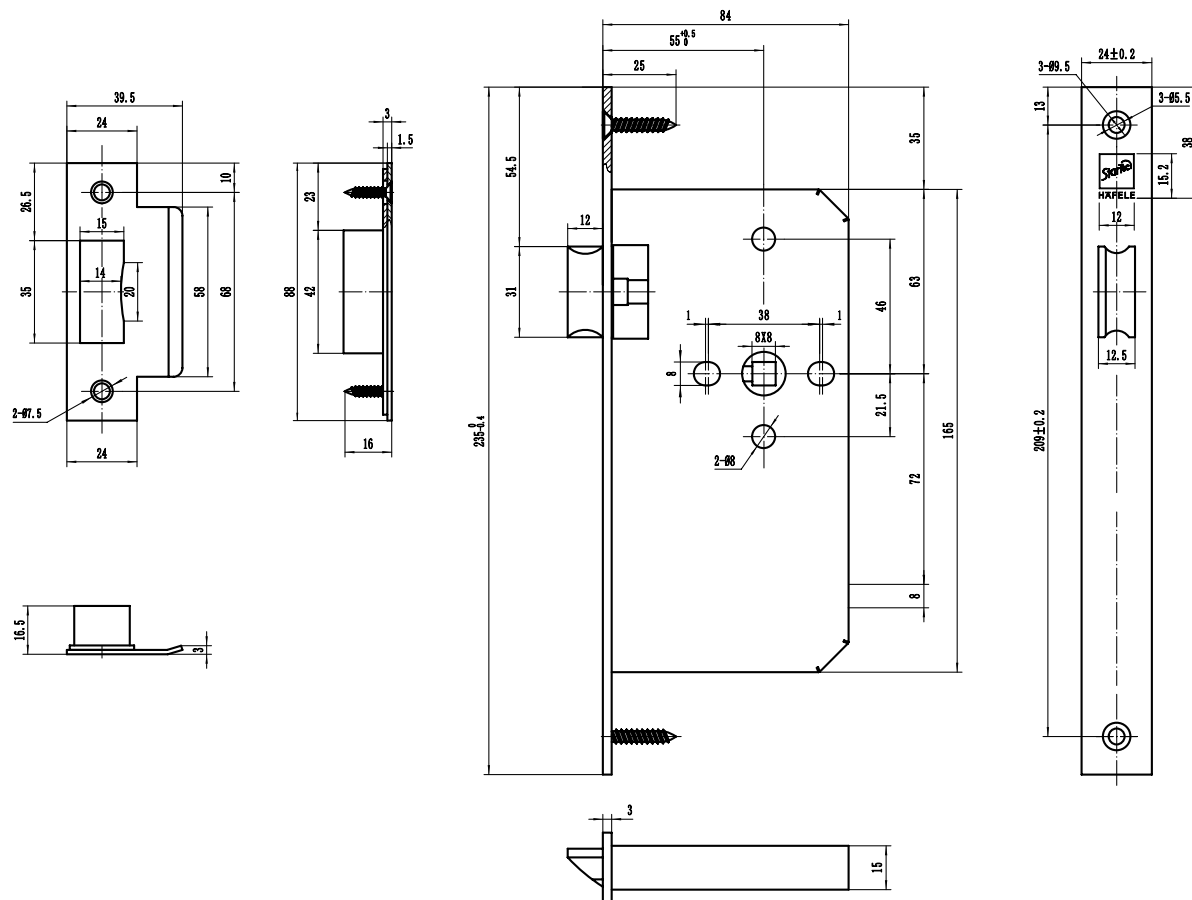
Technical Data

- 55 mm backset
- 24 mm forend
- Case size: 84 mm X 165 mm

2



Finish	Article No.
Stainless Steel Matt (304)	911.23.350



We reserve the right to alter specifications without notice (HIN Architectural Hardware 2015).

Mortise Latch Lock



Features

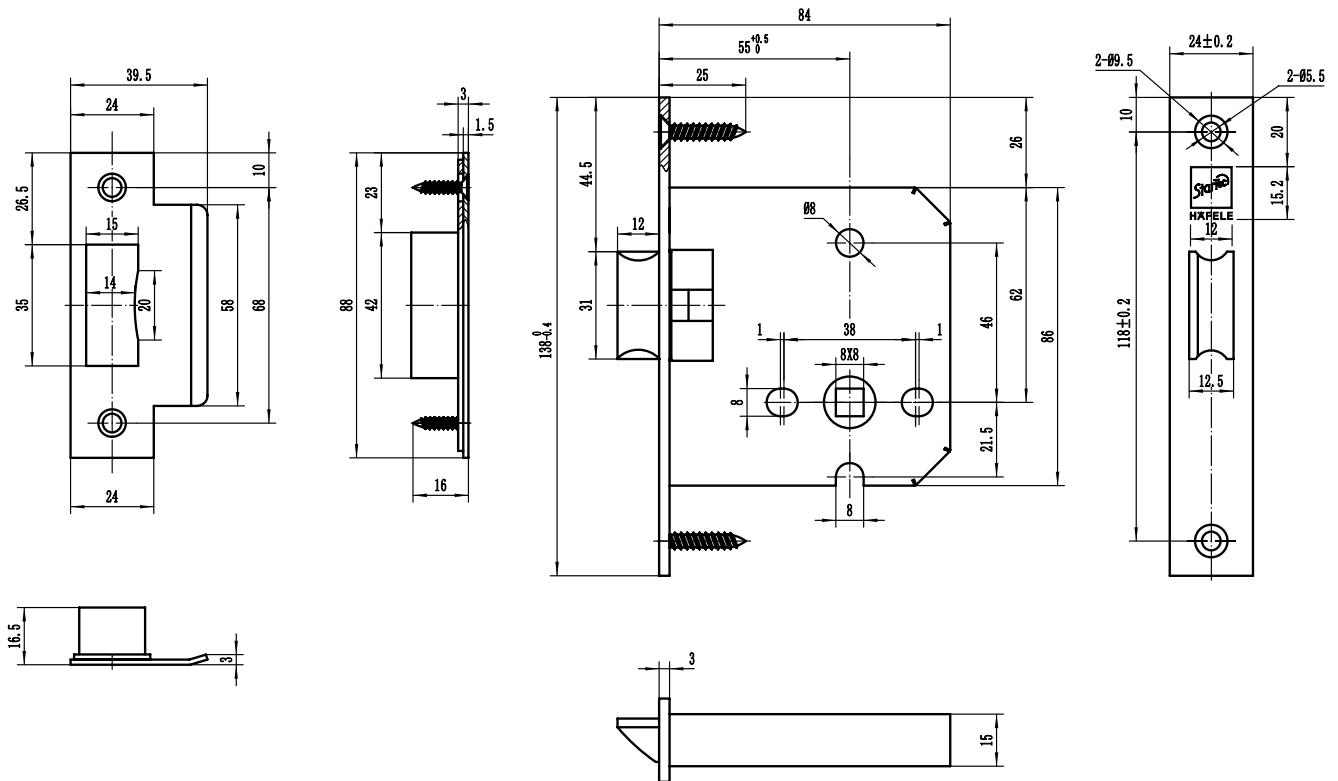
- Heavy duty springing
- Anti corrosive plating
- Stainless steel latch

Technical Data

- 55mm backset
- 24mm forend
- Case size: 84mm X 86mm



Finish	Article No.
Stainless Steel Matt (304)	911.23.351



We reserve the right to alter specifications without notice (HIN Architectural Hardware 2015).

Mortise Roller Lock



Features

- Standard Roller Bolt Mortise Locks
- According to EN 12209 – Grade 3, DIN 18251-1
- Suitable for external fire and smoke doors
- Roller latch lock for double action doors with floor springs

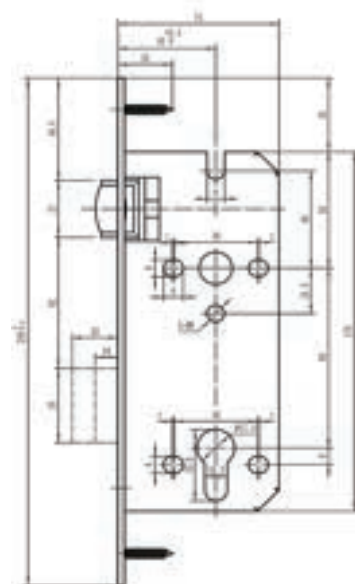
Technical Data

- 45 mm backset
- 85 mm distance
- Case size: 74 mm x 170 mm

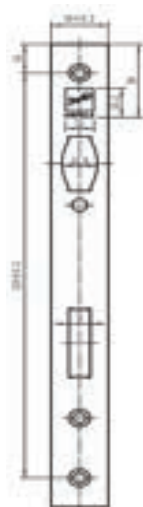
2



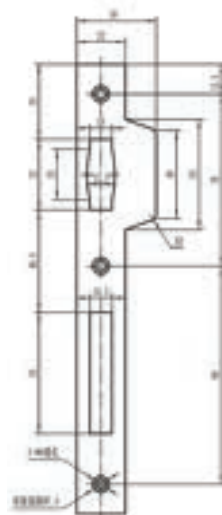
Finish	Article No.
Stainless Steel Matt (304)	911.24.008



Lock Body Side-View



Forend



Strike Plate



Strike Plate Side-View

We reserve the right to alter specifications without notice (HIN Architectural Hardware 2015).

Mortise Cylinder Deadlock



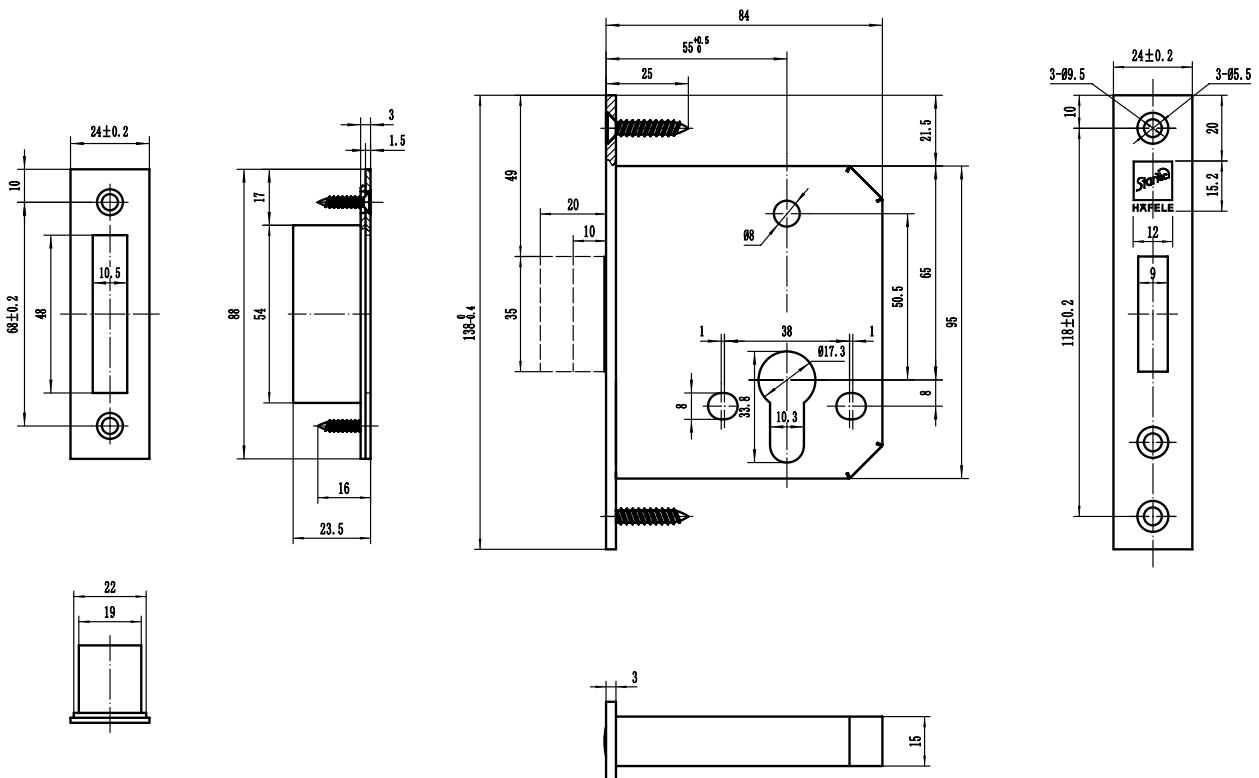
Features

- Anti corrosive plating
- Stainless steel dead bolt
- Closed lock case

Technical Data

- 55mm backset
- 24mm forend
- Case Size: 84mm x 95mm

Finish	Article No.
Stainless Steel Matt (304)	911.22.551



We reserve the right to alter specifications without notice (HIN Architectural Hardware 2015).

Mortise Toilet Lock



Features

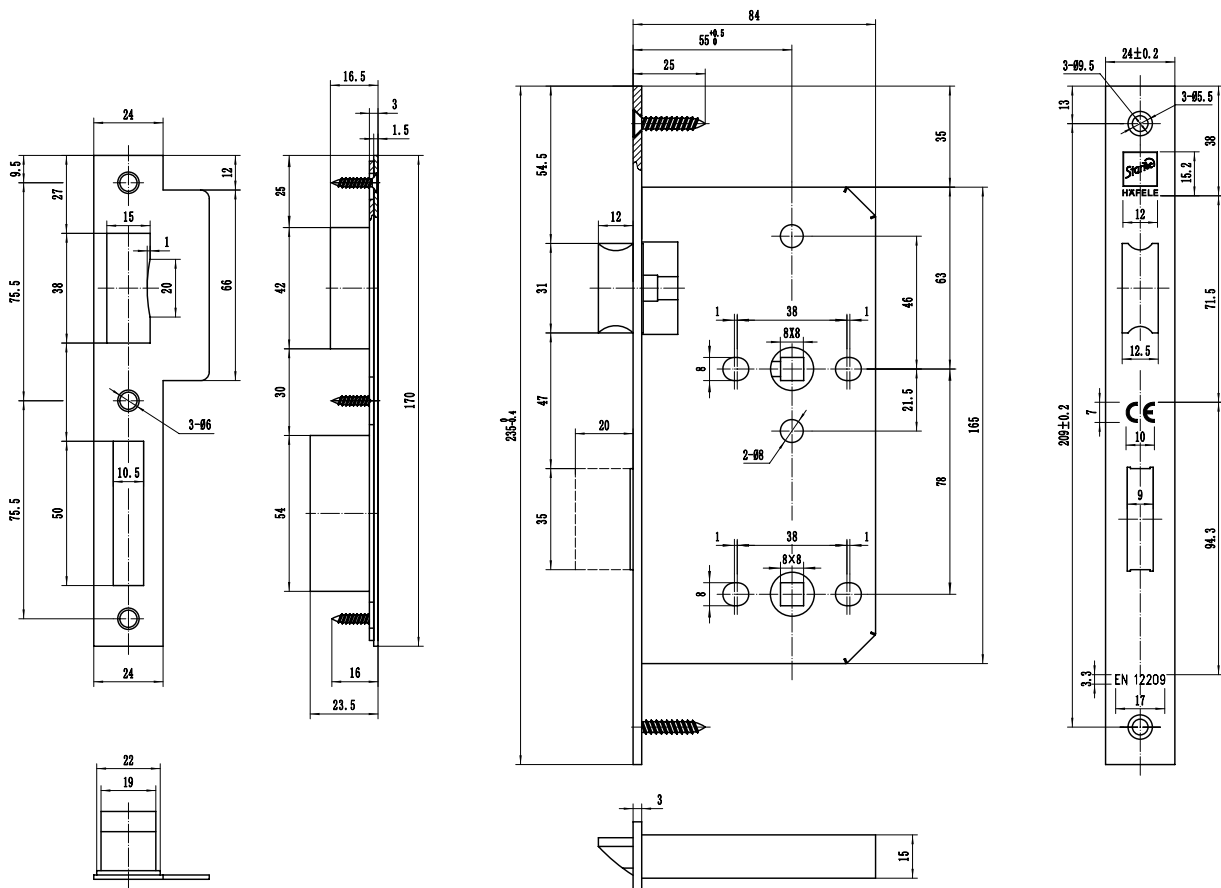
- Single throw deadbolt
- Anti corrosive plating
- Stainless steel dead bolt & latch

Technical Data

- 55mm backset
- 24mm forend
- 78mm centres
- Case size: 84 X 165mm



Finish	Article No.
Stainless Steel Matt (304)	911.02.149



We reserve the right to alter specifications without notice (HIN Architectural Hardware 2015).

Mortise Toilet lock



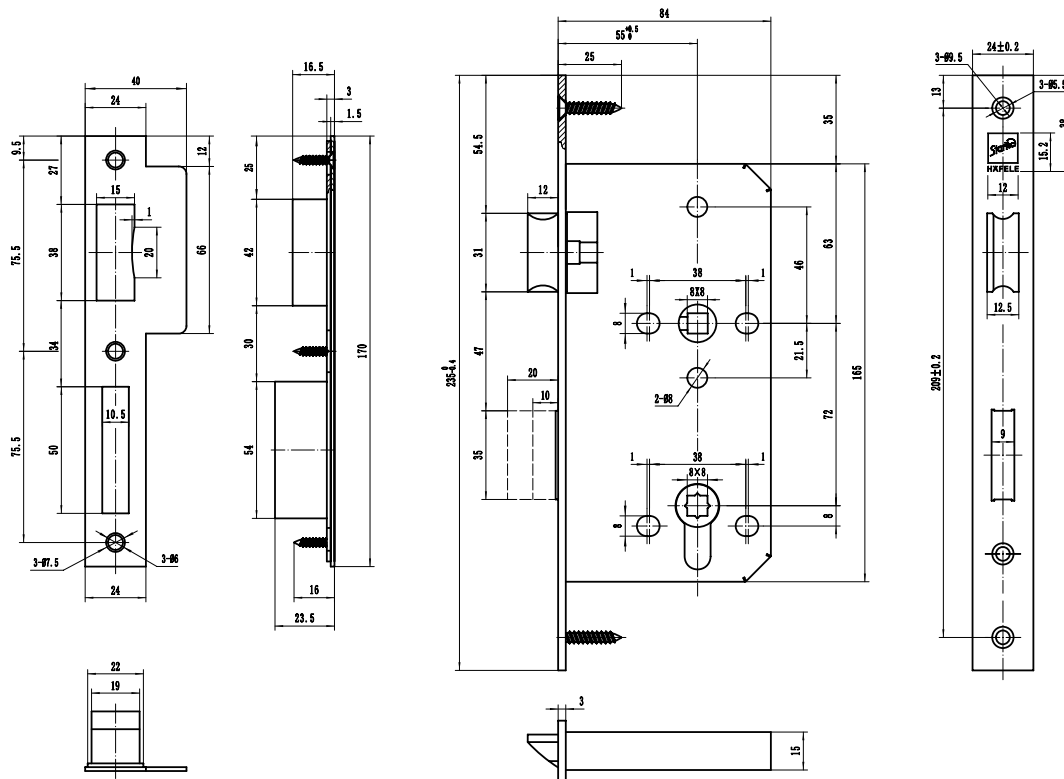
Features

- Anti corrosive plating
- Reversible latch
- Use with toilet escutcheons

Technical Data

- 24mm forend
- 72mm centres
- 55mm backset

Finish	Article No.
Stainless Steel Matt (304)	911.02.130



We reserve the right to alter specifications without notice (HIN Architectural Hardware 2015).

Mortise Toilet Deadlock



Features

- Standard bathroom deadbolt mortise lock
- According to EN 12209 – Grade 3
- For wooden or steel doors
- For single-leaf doors
- Deadbolt lock operated with turn and release

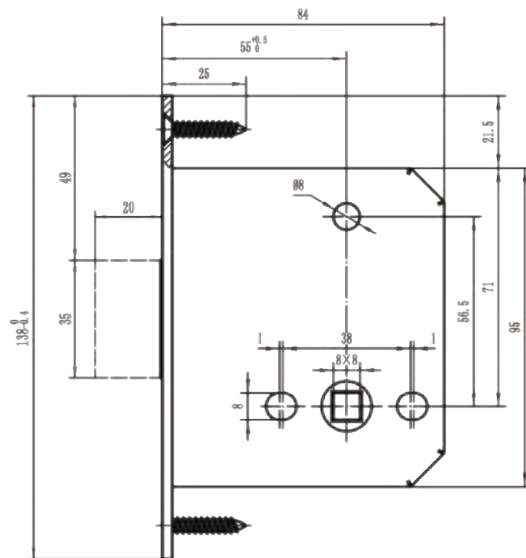
Technical Data

- 8mm follower
- 55mm backset
- Case Size: 84mm x 95mm

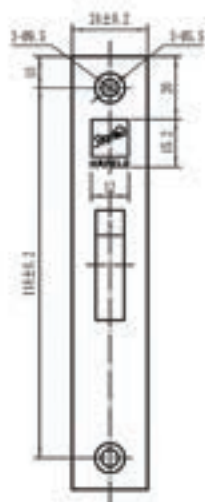


2

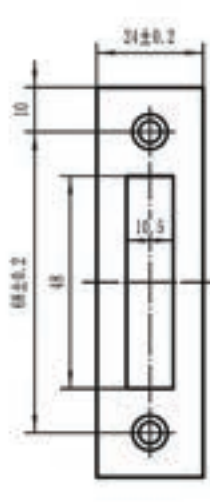
Finish	Article No.
Stainless Steel Matt (304)	911.22.511



Lock Body Side-View



Forend



Strike Plate



Strike Plate Side-View

We reserve the right to alter specifications without notice (HIN Architectural Hardware 2015).

Shaft Door Lock

Shaft Door Lock, 8mm Spindle



Finish	Article No.
SS Matt	911.22.380

2

Shaft Door Lock

Shaft Door Lock, 5mm Spindle



Finish	Article No.
SS Matt	911.22.405

Toilet Indicator Bolt

Thumb Turn inside & Emergency Release + Indicator Outside with 60mm spindle suitable for maximum door thickness 50mm



Finish	Article No.
SS Matt	911.22.404

We reserve the right to alter specifications without notice (HIN Architectural Hardware 2015).

Individual Set Components

**Snib & Release
 (8mm Spindle)**



Finish	Article No.
SS Matt	902.53.922

2



Description	Article No.
Snib & Release without indicator	902.53.92204
Snib & Release with indicator	902.53.92214



Description	Article No.
Snib & Release	902.53.92205
Snib & Release with indicator	902.53.92215

We reserve the right to alter specifications without notice (HIN Architectural Hardware 2015).

Individual set components



Description	Article No.
Snib & Release	902.53.92207
Snib & Release with indicator	902.53.92217

2



Description	Article No.
Snib & Release	902.53.92208
Snib & Release with indicator	902.53.92218

We reserve the right to alter specifications without notice (HIN Architectural Hardware 2015).

Allen key for shaft door lock



Finish	Article No.
SS Matt	911.22.40501

2

Locking Sleeve



Finish	Article No.
Nickel Matt	234.59.994

We reserve the right to alter specifications without notice (HIN Architectural Hardware 2015).

Sliding Door Locks



Features

- Standard Sliding Single Hook Mortise Locks
- According to EN 12209 – Grade 3
- For sliding doors
- Suitable for external fire and smoke doors
- Use with Häfele Range of Classic Straight Sliding Door System

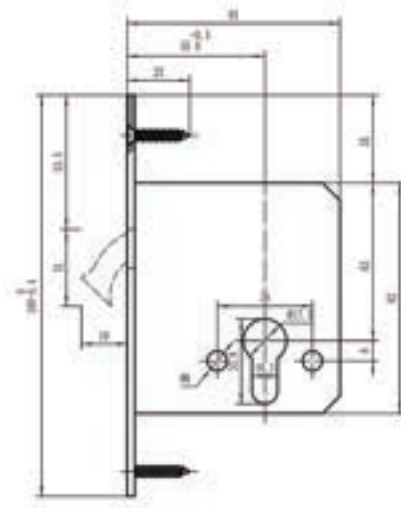
Technical Data

- 55 mm backset
- 20 mm forened
- Case Size : 85 mm x 92 mm

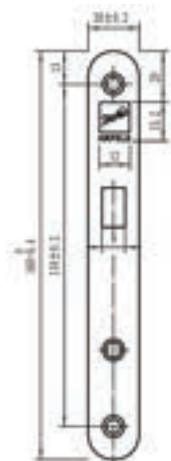


2

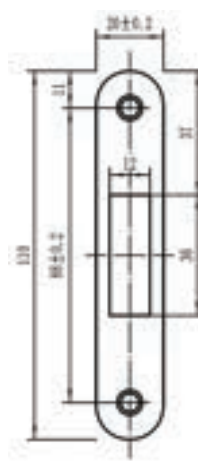
Finish	Article No.
Stainless Steel Matt (304)	911.26.292



Lock Body Side-View



Forend



Strike Plate



Strike Plate Side-View

We reserve the right to alter specifications without notice (HIN Architectural Hardware 2015).

Sliding Double Hook Lock

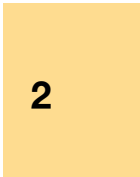


Features

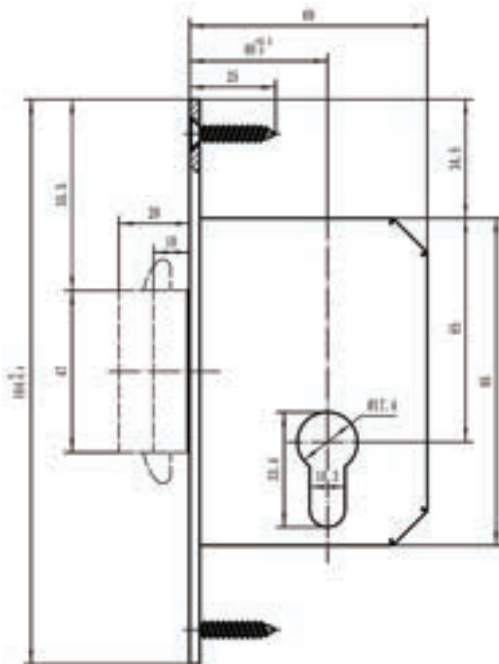
- Standard Bathroom Deadbolt Mortise Lock
- According to EN 12209 – Grade 3
- For wooden or steel doors
- For single-leaf doors

Technical Data

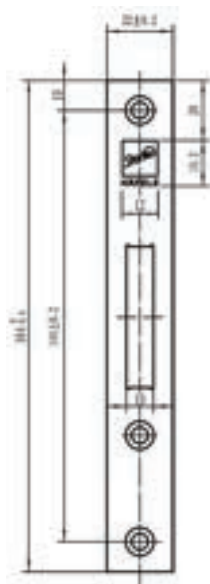
- 40mm backset
- 22mm forend
- Case size : 69mm x 95mm



Finish	Article No.
Stainless Steel Matt (304)	911.26.277



Lock Body Side-View



Forend



Strike Plate



Strike Plate Side-View

We reserve the right to alter specifications without notice (HIN Architectural Hardware 2015).

Sliding Door Locks

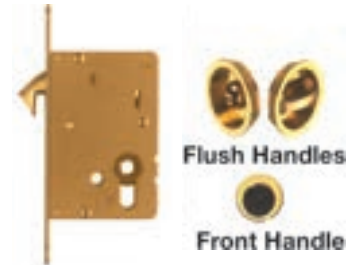


Features

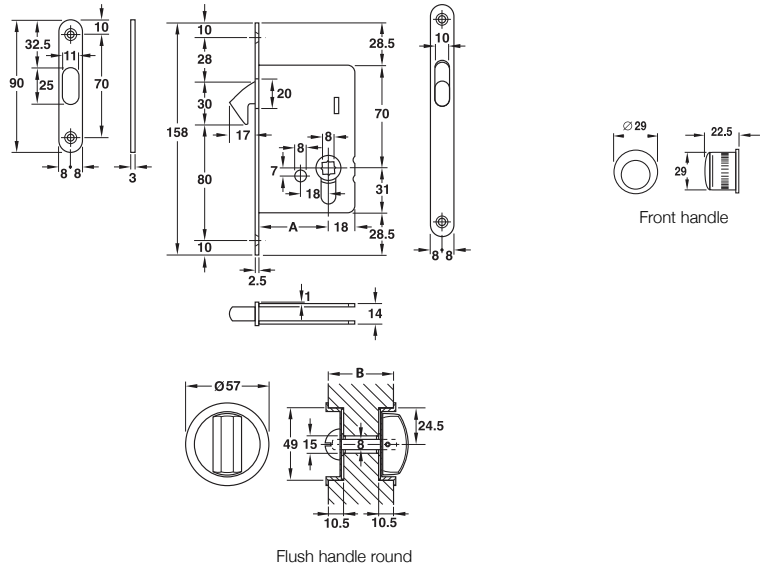
- For Wooden Doors
- Includes front handle
- Includes flush handle with thumbturn
- With Hook Bolt

Technical Data

- 50mm backset
- 16mm forend
- Case size : 68mm x 101mm



Finish	Article No.
Nickel Plated Matt	911.26.084



2

Features

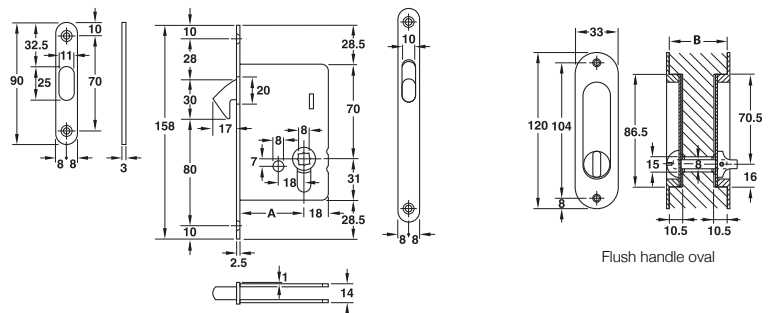
- For Wooden Doors
- Includes flush handle oval shape with thumbturn
- With Hook Bolt

Technical Data

- 50mm backset
- 16mm forend
- Case size : 68mm x 101mm



Finish	Article No.
Nickel Plated Matt	911.26.092



We reserve the right to alter specifications without notice (HIN Architectural Hardware 2015).

Sliding Door locks

Features

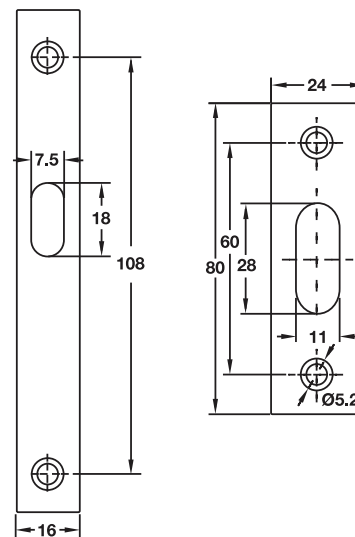
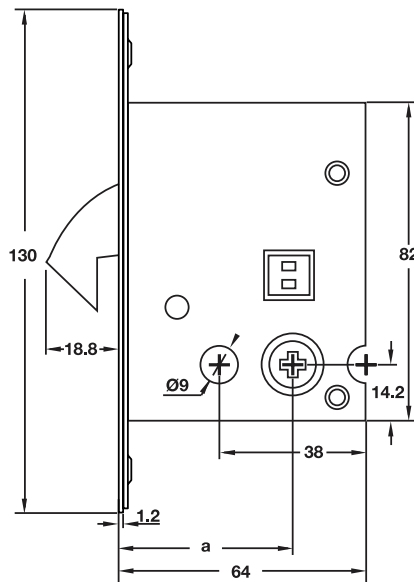
- Available with pair of flush handles
- Hook lock with inbuilt cylinder
- Material: Stainless Steel, latch and key brass
- For wooden door
- Suitable for DIN left and DIN right hand
- Without MK and GMK function

Technical Data

- For door thickness: 35-50mm
- Backset (a): 45mm
- Case size : 64mm x 82mm



Finish	Entrance	Bathroom
Ⓐ Nickel plated	911.26.412	911.26.422
Ⓑ Antique brass	911.26.411	911.26.421



We reserve the right to alter specifications without notice (HIN Architectural Hardware 2015).

Mortise jig for cutting a mortise lock

2



Features

- For the rational fitting of mortise locks
- Also ideal for on-the-spot fitting
- Made for small quantity of router jobs
- Continuously adjustable for all common door thicknesses
- Maxi. routing depth: 100mm, extendable with 285mm shaft
- Use with a normal electric drill of 13mm chuck
- With transport case

Supplied with

- 1 Routing gauge
- 1 Shaft length 220mm
- 1 Router Ø18mm
- 1 Router Ø20mm
- 1 Router Ø24mm
- 1 Depth stop
- 1 3mm Allen key
- 1 Transport case

Area of application	Article No.
For flush door	001.67.710

Special Order

Wood cutter for mortise jig



Features

- Enables the cutter to quick release
- With special geometry for increased cutting speed (up to 50%) and longevity of sharpness retention

Diameter mm	Article No.
16.2	001.67.842
17.5	001.67.843
19.0	001.67.844
20.0	001.67.845
20.6	001.67.846
22.2	001.67.847
23.0	001.67.848
23.8	001.67.849
25.4	001.67.850
27.0	001.67.851
28.6	001.67.852
31.8	001.67.853

Special Order

2

Housing kit for rebated doors



Features

- Fits standard shaft, long shaft and long drill adapter

Area of application	Article No.
For rebated door	001.67.713

Special Order

Housing kit for flush door



Features

- Fits standard shaft, long shaft and long drill adapter

Area of application	Article No.
For flush door	001.67.749

Special Order

We reserve the right to alter specifications without notice (HIN Architectural Hardware 2015).

Shaft



2

Features

- Standard shaft: Length 220mm, replacement shaft for mortise jig
- Long shaft: Length 298mm
- Material: Steel

Version	Article No.
Standard shaft for routing depth up to 100 mm	001.67.742
Long shaft for routing depth up to 180 mm	001.67.743

Special Order

Depth stop



Features

- For restricting the drilling depth
- For standard and long shafts

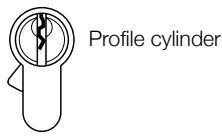
Material	Article No.
Steel	001.67.747

Special Order

Profile cylinder

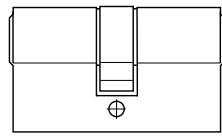
Locking cylinders are categorized according to

a) Front view

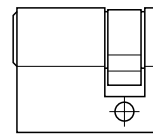


Profile cylinder

b) Side view



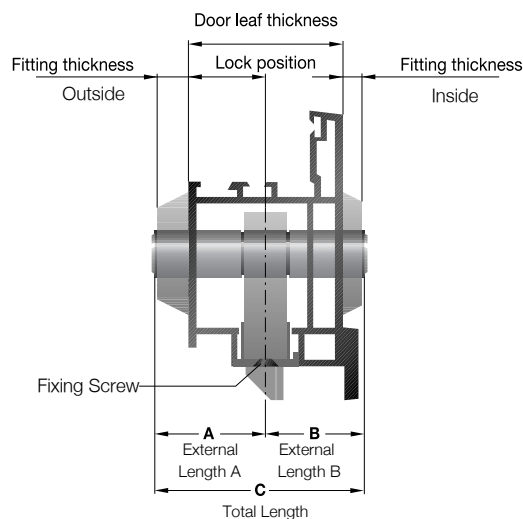
Double cylinder



Single cylinder

The definition of important components and characteristics of locking cylinders in this catalogue follows generally the terminology according to EN 1303 with 18 252/09-1999

Door leaf thickness



The following factors have to be considered, when determining the length C of the locking cylinder:

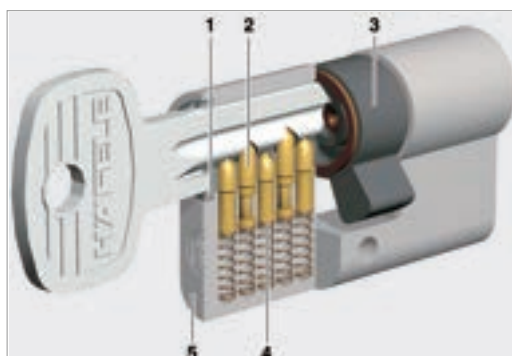
- Door thickness
- Position of the lock in the door
- Thickness of the fitting outside
- Thickness of the fitting inside

Note

Lengths A and B are each measured from the centre of the fixing screw.

For the length C: The cylinder must protrude the fitting on the outside and inside max. 3 mm

Häfele Cylinders



- 1 Core
- 2 Core pin
- 3 Locking pin with spring
- 4 Housing pin with spring
- 5 Cylinder housing

Häfele cylinders have following characteristics:

- Within the profile cylinders, which are variable in steps, pairs of pins trace the key profile.
- Maximum number of key changes results from the number of pairs of pins and the possible versions of steps.
- All cylinders comply with and in major characteristics exceed the requirements of EN 1303 and DIN 18 252: 09/1999

We reserve the right to alter specifications without notice (HIN Architectural Hardware 2015).

Master key system

2



A comprehensive building situation requires locking systems. The scope and the complexity of these systems depend on the size of the building, the number of doors and the user function of that building.

Master key is a key which can open two or more than two locks within the given structure or the system. A master key comprises a number of cylinders/locks that allow different group of individual key holders to gain access to all or individually defined areas. This can eliminate the need to carry all those keys with you, limiting the areas where other people have access.

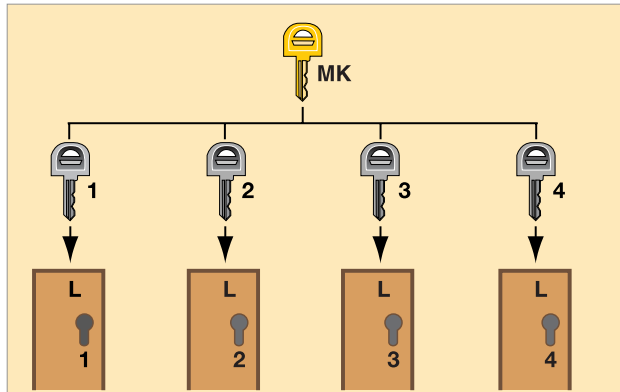
Whether you need to control a domestic building such as your home or a large scale commercial or industrial complex, having total control of access to all entry points is possible through a Master key.

Häfele service not only comprises the delivery; Häfele also offers different expertise in hardware technology, master key systems and any technical assistance relating to individual cylinders. The service reaches from initial assistance in the planning phase to the creation of appropriate Master key plans.

We reserve the right to alter specifications without notice (HIN Architectural Hardware 2015).

Different functions of keying

Master key system

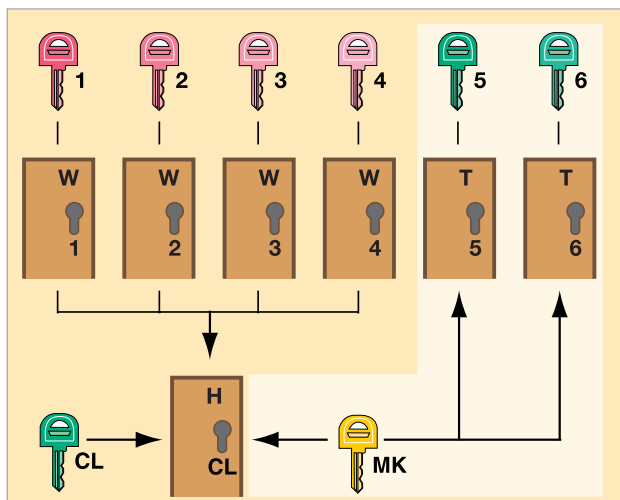


One key which can open two or more than two locks in the same structure e.g. for a property with 4 storage rooms.

- L Storage room
- MK Master key
- (1-4) Individual keys of storage room

2

Central locking system



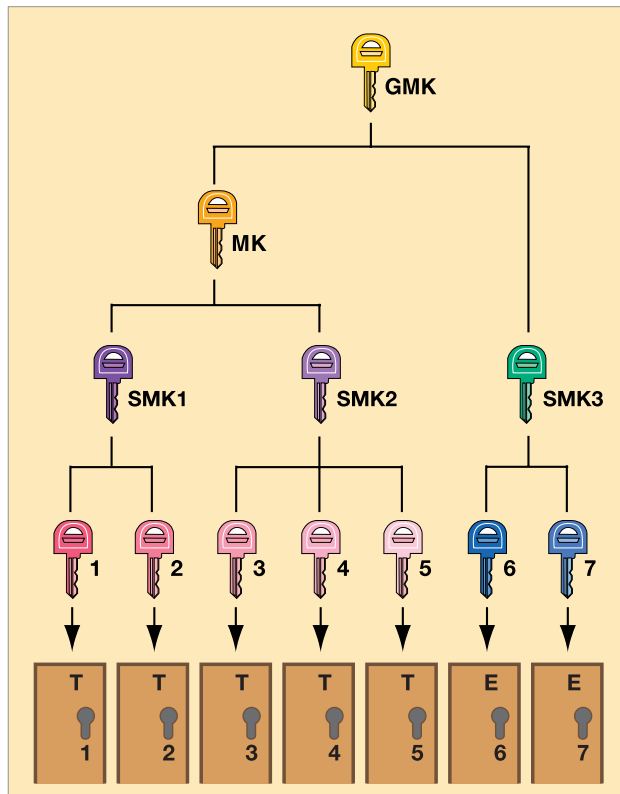
Each of the individual keys can open it's own door and the common lock (CL). The common lock is usually set as passing or entrance door.

- W Apartment door
- T Plant room
- H Front door
- CL Central key which locks the CL central cylinder
- MK Master key
- (1-4) Individual keys of apartment doors
- (5-6) Individual keys for plant room

We reserve the right to alter specifications without notice (HIN Architectural Hardware 2015).

Different functions of keying

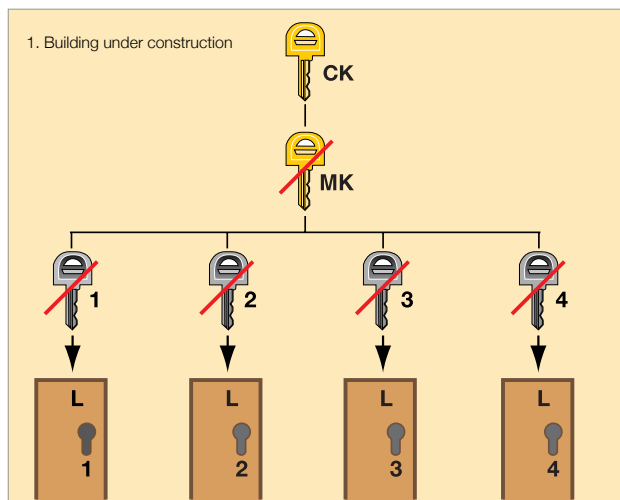
Grand master key system



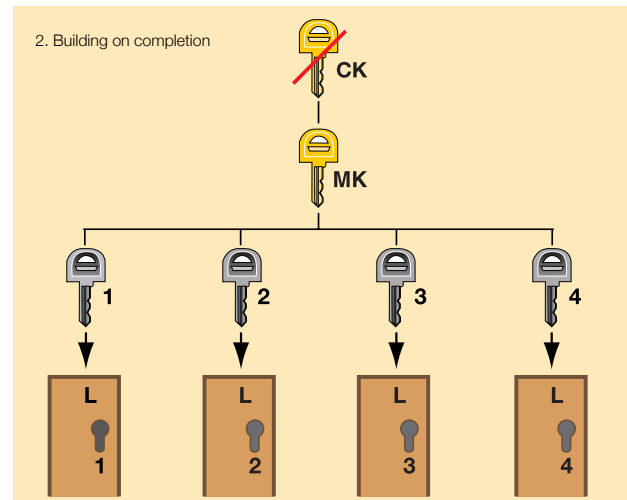
One key which is superior than the master key and can open the all remaining door in that structure.

- T Plant room
- E IT room
- GMK Grand master key
- MK Master key
- SMK Sub master key
- (1-5) Individual key of plant room
- (6-7) Individual key of IT room

Construction key system



In the 1st phase the building is under construction, therefore the contractor and/or builders are authorised to access all building doors with their construction keys (CK).



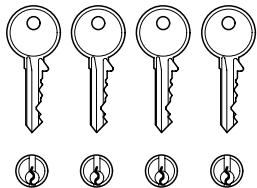
In the 2nd phase, once the building is completed and the owner will stay, he will use his own key (MK or 1-4), the construction key (CK) isn't usable anymore.

- L Building door
- (1-4) Building door individual key
- MK Master key
- CK Construction key

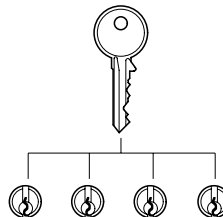
We reserve the right to alter specifications without notice (HIN Architectural Hardware 2015).

Master key terminologies

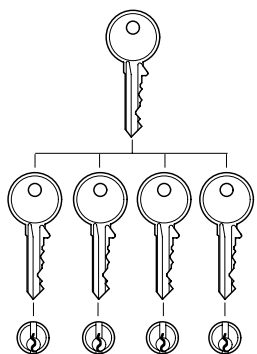
KD = Keyed to differ
Each lock is opened by its own key



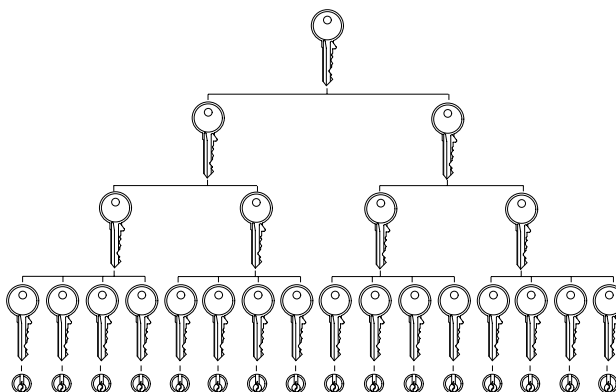
KA = Keyed alike
All locks opened by the same individual key



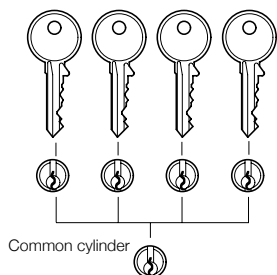
MK = Master key
All locks are opened by their own individual key and the master key



GMK = Grand master key
All locks opened by their own individual key, respective submaster key, respective master key and grand master key

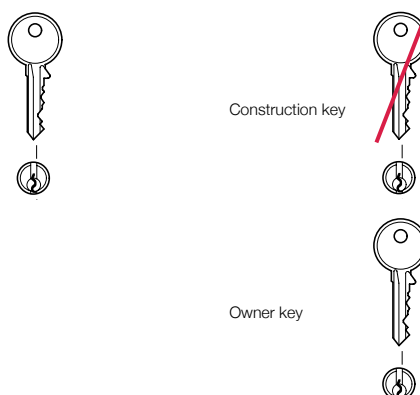


CL = Common lock
Each individual key can open its own lock and the common lock



CK = Construction key
All locks can be opened with construction key but once the owner key(GMK/MK/KD) is used with those locks, the construction key can not be used anymore

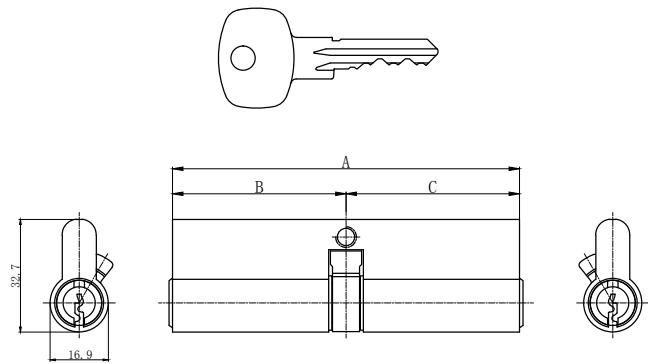
Building under construction Building on completion



We reserve the right to alter specifications without notice (HIN Architectural Hardware 2015).

**Euro Profile Double Cylinder,
Keyed Different**

2

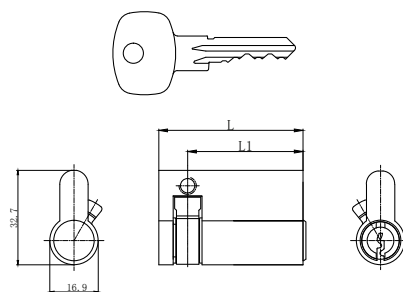


Master key available on request

Finish	A	B	C	Article No.
Polished Brass	63	31.5	31.5	916.96.008
Nickel Matt				916.96.006
Nickel Matt	71	35.5	35.5	916.96.018
Polished Brass				916.96.016
Polished Brass	80	40	40	916.96.028
Nickel Matt				916.96.026
Polished Brass	90	45	45	916.96.038
Nickel Matt				916.96.036
Polished Brass	100	50	50	916.96.048
Nickel Matt				916.96.046

Special Order

**Euro Profile Single Cylinder,
Keyed Different (Key one side)**



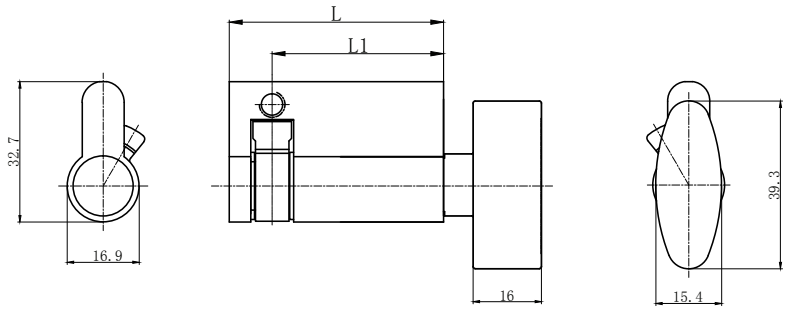
Master key available on request

Finish	L	L1	Article No.
Polished Brass	40mm	40mm	916.96.108
Nickel Matt			916.96.106
Polished Brass	45mm	35mm	916.96.118
Nickel Matt			916.96.116
Polished Brass	50mm	40mm	916.96.128
Nickel Matt			916.96.126
Polished Brass	55mm	45mm	916.96.138
Nickel Matt			916.96.136
Polished Brass	60mm	50mm	916.96.148
Nickel Matt			916.96.146

Special Order

We reserve the right to alter specifications without notice (HIN Architectural Hardware 2015).

Euro Profile Single Cylinder with Thumb turn (No key)



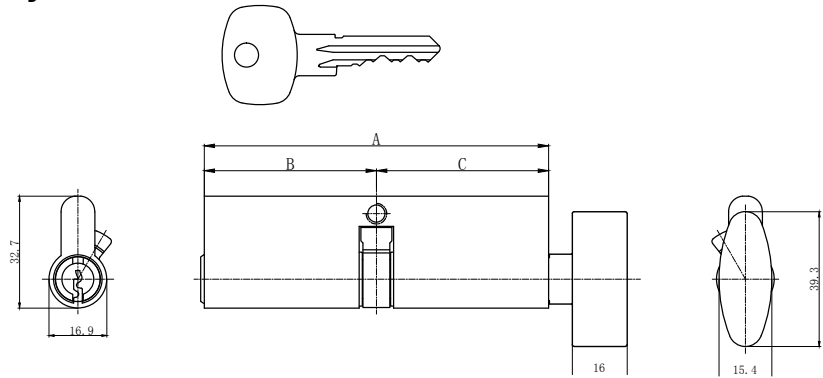
2

Finish	L	L1	Article No.
Polished Brass	40mm	30mm	916.96.208
Nickel Matt			916.96.206
Polished Brass	45mm	35mm	916.96.218
Nickel Matt			916.96.216
Polished Brass	50mm	40mm	916.96.228
Nickel Matt			916.96.226
Polished Brass	55mm	45mm	916.96.238
Nickel Matt			916.96.236
Polished Brass	60mm	50mm	916.96.248
Nickel Matt			916.96.246

Special Order

Euro Profile Thumb Turn Cylinder (Key Outside + Thumb Turn Inside)

We reserve the right to alter specifications without notice (HIN Architectural Hardware 2015).



Master key available on request

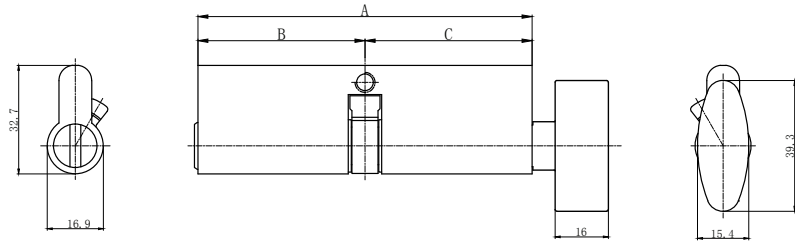
Finish	A	B	C	Article No.
Polished Brass	60mm	30mm	30mm	916.96.308
Nickel Matt				916.96.306
Nickel Matt	71mm	32.5mm	32.5mm	916.96.318
Polished Brass				916.96.316
Polished Brass	80mm	40mm	40mm	916.96.328
Nickel Matt				916.96.326
Polished Brass	90mm	45mm	45mm	916.96.338
Nickel Matt				916.96.336
Polished Brass	100mm	50mm	50mm	916.96.348
Nickel Matt				916.96.346

Special Order

Euro Profile Toilet Cylinder (No key)

Emergency release on one side

2



Master key available on request

Finish	A	B	C	Article No.
Polished Brass	60mm	30mm	30mm	916.96.408
Nickel Matt				916.96.406
Polished Brass	71mm	32.5mm	32.5mm	916.96.418
Nickel Matt				916.96.416
Polished Brass	80mm	40mm	40mm	916.96.423
Nickel Matt				916.96.426
Polished Brass	90mm	45mm	45mm	916.96.433
Nickel Matt				916.96.436
Polished Brass	100mm	50mm	50mm	916.96.443
Nickel Matt				916.96.446

Special Order

We reserve the right to alter specifications without notice (HIN Architectural Hardware 2015).

**Euro Profile Double Cylinder
(Key Both Side) - Master Keyed**



Non-MK Cylinders Article numbers	Description	Simple Master keyed cylinder	Grand Master keyed
916.96.008	Euro Profile Double Cylinder, 30+30=60mm, Brass Polished (6 Pin)	916.96.708	916.96.758
916.96.006	Euro Profile Double Cylinder, 30+30=60mm, Nickel Matt	916.96.706	916.96.756
916.96.018	Euro Profile Double Cylinder, 35+35=70mm, Brass Polished	916.96.718	916.96.768
916.96.016	Euro Profile Double Cylinder, 35+35=70mm, Nickel Matt	916.96.716	916.96.766
916.96.028	Euro Profile Double Cylinder, 40+40=80mm, Brass Polished	916.96.728	916.96.778
916.96.026	Euro Profile Double Cylinder, 40+40=80mm, Nickel Matt	916.96.726	916.96.776
916.96.038	Euro Profile Double Cylinder, 45+45=90mm, Brass Polished	916.96.738	916.96.788
916.96.036	Euro Profile Double Cylinder, 45+45=90mm, Nickel Matt	916.96.736	916.96.786
916.96.048	Euro Profile Double Cylinder, 50+50=100mm, Brass Polished	916.96.748	916.96.798
916.96.046	Euro Profile Double Cylinder, 50+50=100mm, Nickel Matt	916.96.746	916.96.796

2

**Euro Profile Single Cylinder
(Key One Side) - Master Keyed**



Non-MK Cylinders Article numbers	Description	Simple Master keyed cylinder	Grand Master keyed
916.96.108	Euro Profile Single Cylinder, 30+10=40mm, Brass Polished	916.96.808	916.96.858
916.96.106	Euro Profile Single Cylinder, 30+10=40mm, Nickel Matt	916.96.806	916.96.856
916.96.118	Euro Profile Single Cylinder, 35+10=45mm, Brass Polished	916.96.818	916.96.868
916.96.116	Euro Profile Single Cylinder, 35+10=45mm, Nickel Matt	916.96.816	916.96.866
916.96.128	Euro Profile Single Cylinder, 40+10=50mm, Brass Polished	916.96.828	916.96.878
916.96.126	Euro Profile Single Cylinder, 40+10=50mm, Nickel Matt	916.96.826	916.96.876
916.96.138	Euro Profile Double Cylinder, 45+10=55mm, Brass Polished	916.96.838	916.96.888
916.96.136	Euro Profile Double Cylinder, 45+10=55mm, Nickel Matt	916.96.836	916.96.886
916.96.148	Euro Profile Double Cylinder, 50+10=60mm, Brass Polished	916.96.848	916.96.898
916.96.146	Euro Profile Double Cylinder, 50+10=60mm, Nickel Matt	916.96.846	916.96.896

We reserve the right to alter specifications without notice (HIN Architectural Hardware 2015).

**Euro Profile Thumb Turn Cylinder
 (Key Outside + Thumb Turn Inside) - Master Keyed**



2

Non-MK Cylinders Article numbers	Description	Simple Master keyed cylinder	Grand Master keyed
916.96.308	Euro Profile Thumb Turn Cylinder, 30+30=60mm, Brass Polished	916.96.908	916.96.958
916.96.306	Euro Profile Thumb Turn Cylinder, 30+30=60mm, Nickel Matt	916.96.906	916.96.956
916.96.318	Euro Profile Thumb Turn Cylinder, 35+35=70mm, Brass Polished	916.96.918	916.96.968
916.96.316	Euro Profile Thumb Turn Cylinder, 35+35=70mm, Nickel Matt	916.96.916	916.96.966
916.96.328	Euro Profile Thumb Turn Cylinder, 40+40=80mm, Brass Polished	916.96.928	916.96.978
916.96.326	Euro Profile Thumb Turn Cylinder, 40+40=80mm, Nickel Matt	916.96.926	916.96.976
916.96.338	Euro Profile Thumb Turn Cylinder, 45+45=90mm, Brass Polished	916.96.938	916.96.988
916.96.336	Euro Profile Thumb Turn Cylinder, 45+45=90mm, Nickel Matt	916.96.936	916.96.986
916.96.348	Euro Profile Thumb Turn Cylinder, 50+50=100mm, Brass Polished	916.96.948	916.96.998
916.96.346	Euro Profile Thumb Turn Cylinder, 50+50=100mm, Nickel Matt	916.96.946	916.96.996

Additional Keys

Individual keys - Silver Nickel	916.96.692
Master keys - Silver Nickel	916.96.691
Grand Master keys - Silver Nickel	916.96.690

**Euro Profile Thumbturn Cylinder,
(Thumbturn on inside & Key outside)**



Antique Brass



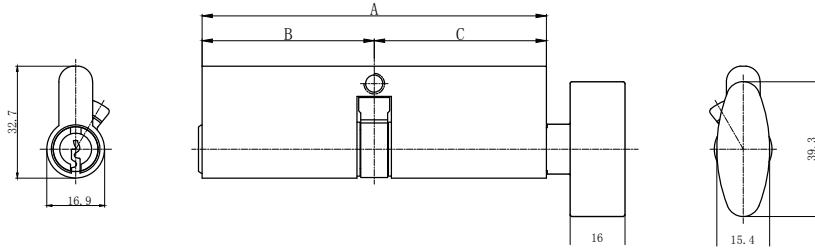
Polished Brass



Brass Matt



Polished Chrome



2

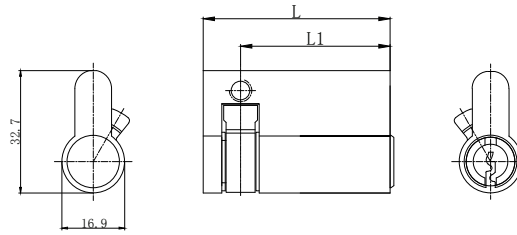
Finish	A	B	C	Article No.
Nickel Matt	60	30	30	916.96.663
Brass Matt	61	30.5	30.5	916.64.010
Polish Brass				916.64.012
Antique Brass				916.64.014
Polish Chrome				916.64.016
Nickel Matt	71	35.5	35.5	916.96.665
Brass Matt	70	35	35	916.63.910
Polish Brass				916.63.912
Antique Brass				916.63.914
Polish Chrome				916.63.916
Nickel Matt	80	40	40	916.63.082
Brass Matt				916.63.920
Polish Brass				916.63.922
Antique Brass				916.63.924
Polish Chrome				916.63.926
Nickel Matt	90	45	45	916.96.66310
Brass Matt				916.63.930
Polish Brass				916.63.932
Antique Brass				916.63.934
Polish Chrome				916.63.936
Nickel Matt	100	50	50	916.96.66311
Brass Matt				916.63.93001
Polish Brass				916.63.93201
Antique Brass				916.63.93401
Polish Chrome				916.63.93601

Special Order

We reserve the right to alter specifications without notice (HIN Architectural Hardware 2015).

**Euro Profile Single Cylinder,
Keyed different (key one side)**

2



Antique Brass



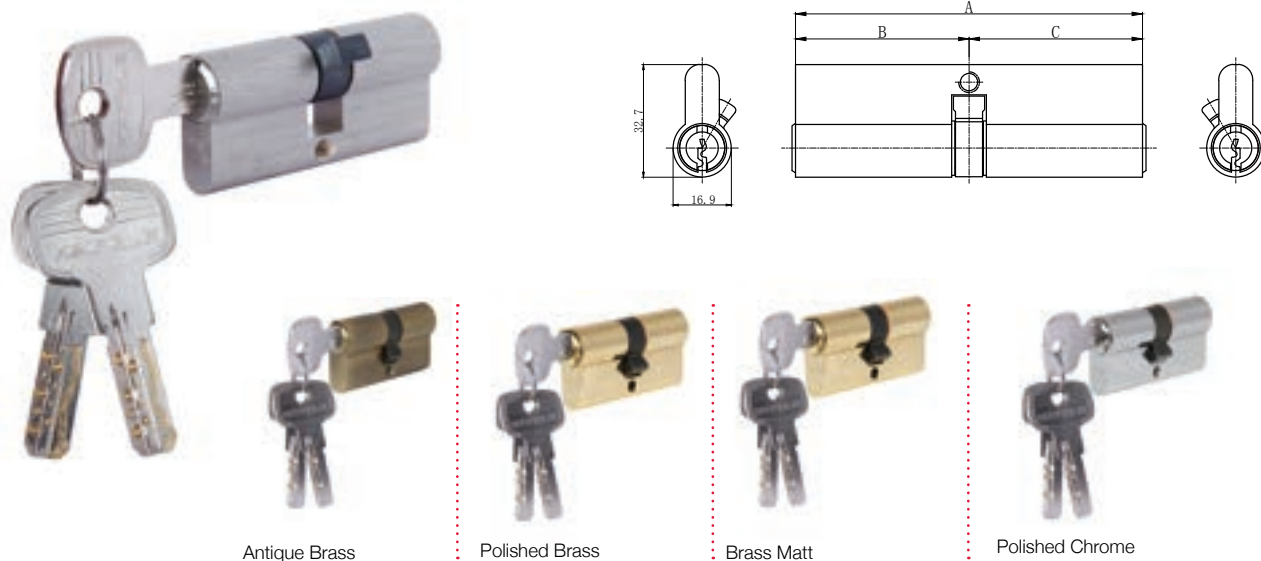
Brass Matt

Finish	A	B	C	Article No.
Nickel Matt	40	30	10	916.96.651
Brass Matt				916.63.960
Polish Brass				916.63.962
Antique Brass				916.63.964
Polish Chrome				916.63.966
Nickel Matt	45	35	10	916.96.653
Brass Matt				916.63.96001
Polish Brass				916.63.96201
Antique Brass				916.63.96401
Polish Chrome				916.63.96601
Nickel Matt	50	40	10	916.96.65110
Brass Matt				916.63.96002
Polish Brass				916.63.96202
Antique Brass				916.63.96402
Polish Chrome				916.63.96602
Nickel Matt	55	45	10	916.96.65111
Brass Matt				916.63.96003
Polish Brass				916.63.96203
Antique Brass				916.63.96403
Polish Chrome				916.63.96603
Nickel Matt	61	51	10	916.96.65112
Brass Matt				916.64.060
Polish Brass				916.64.062
Antique Brass				916.64.064
Polish Chrome				916.64.066

Special Order

We reserve the right to alter specifications without notice (HIN Architectural Hardware 2015).

**Euro Profile Double Cylinder,
 Keyed different (Key on both sides)**



2

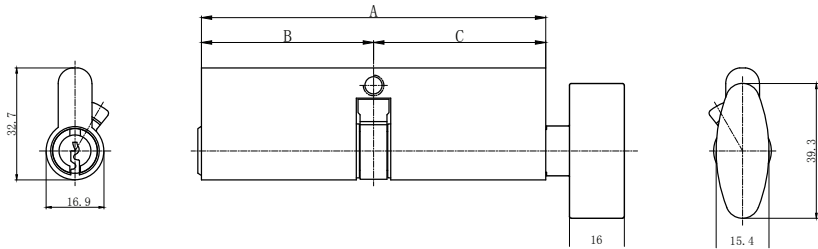
Finish	A	B	C	Article No.
Nickel Matt	63	31.5	31.5	916.96.618
Brass Matt	61	30.5	30.5	916.63.940
Polish Brass				916.63.942
Antique Brass				916.63.944
Polish Chrome				916.63.946
Nickel Matt	71	35.5	35.5	916.96.625
Brass Matt	70	35	35	916.63.950
Polish Brass				916.63.952
Antique Brass				916.63.954
Polish Chrome				916.63.956
Nickel Matt	80	40	40	916.96.635
Brass Matt				916.63.94001
Polish Brass				916.63.94201
Antique Brass				916.63.94401
Polish Chrome				916.63.94601
Nickel Matt	90	45	45	916.96.62510
Brass Matt				916.63.95001
Polish Brass				916.63.95201
Antique Brass				916.63.95403
Polish Chrome				916.63.95604
Nickel Matt	100	50	50	916.96.62511
Brass Matt				916.63.95002
Polish Brass				916.63.95202
Antique Brass				916.63.95402
Polish Chrome				916.63.95602

Special Order

We reserve the right to alter specifications without notice (HIN Architectural Hardware 2015).

**Euro Profile Thumbturn Cylinder (10 Pins),
(Thumbturn on inside & Key outside)**

2



Antique Brass



Polished Brass



Brass Matt



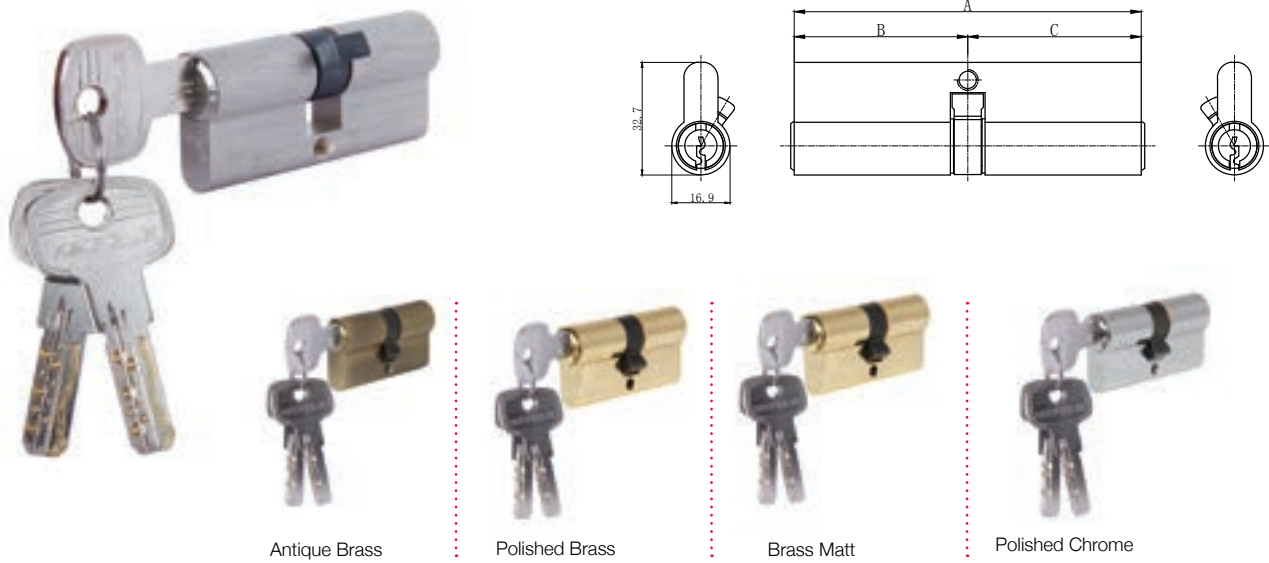
Polished Chrome

Finish	A	B	C	Article No.
Nickel Matt	60	30	30	916.96.683
Brass Matt	60	30	30	916.96.68302
Polished Brass	60	30	30	916.96.68303
Antique Brass	60	30	30	916.96.68304
Polished Chrome	60	30	30	916.96.68305
Nickel Matt	71	35.5	35.5	916.96.685
Brass Matt	71	35.5	35.5	916.96.68502
Polished Brass	71	35.5	35.5	916.96.68503
Antique Brass	71	35.5	35.5	916.96.68504
Polished Chrome	71	35.5	35.5	916.96.68505
Nickel Matt	80	40	40	916.96.68301
Brass Matt	80	40	40	916.96.68311
Polished Brass	80	40	40	916.96.68321
Antique Brass	80	40	40	916.96.68331
Polished Chrome	80	40	40	916.96.68341
Nickel Matt	90	45	45	916.96.68302
Brass Matt	90	45	45	916.96.68312
Polished Brass	90	45	45	916.96.68322
Antique Brass	90	45	45	916.96.68332
Polished Chrome	90	45	45	916.96.68342
Nickel Matt	100	50	50	916.96.68303
Brass Matt	100	50	50	916.96.68313
Polished Brass	100	50	50	916.96.68323
Antique Brass	100	50	50	916.96.68333
Polished Chrome	100	50	50	916.96.68343

Special Order

We reserve the right to alter specifications without notice (HIN Architectural Hardware 2015).

**Euro Profile Double Cylinder (10 Pins),
 Keyed different (Key on both sides)**



2

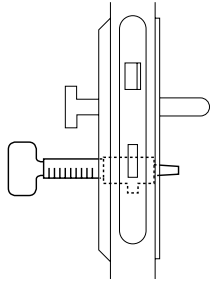
Finish	A	B	C	Article No.
Nickel Matt	63	31.5	31.5	916.96.674
Brass Matt				916.96.67402
Polish Brass				916.96.67403
Antique Brass				916.96.67404
Polish Chrome				916.96.67405
Nickel Matt	71	35.5	35.5	916.96.675
Brass Matt				916.96.67502
Polish Brass				916.96.67503
Antique Brass				916.96.67504
Polish Chrome				916.96.67505
Nickel Matt	80	40	40	916.96.67501
Brass Matt				916.96.67511
Polish Brass				916.96.67521
Antique Brass				916.96.67531
Polish Chrome				916.96.67541
Nickel Matt	90	45	45	916.96.67502
Brass Matt				916.96.67512
Polish Brass				916.96.67522
Antique Brass				916.96.67532
Polish Chrome				916.96.67542
Nickel Matt	100	50	50	916.96.67503
Brass Matt				916.96.67513
Polish Brass				916.96.67523
Antique Brass				916.96.67533
Polish Chrome				916.96.67543

Special Order

We reserve the right to alter specifications without notice (HIN Architectural Hardware 2015).

Construction site key: StarTec

2

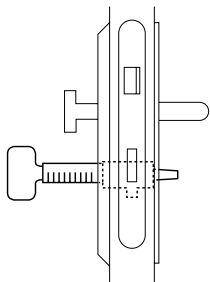


Features

- Square pin key 6/7/8mm
- Allen key 3mm
- Conical square spindle from 6–10mm
- Follower for locks with PC-aperture
- With double-side scale (22–75mm and 25–75mm) to measure the cylinder length
- Bottle opener

Material/Finish	Article No.
Zinc alloy nickel plated	916.99.013

Special Order



Features

- Conical square spindle from 6–10mm
- Follower for locks with PC-aperture
- With scale (35–70mm) to measure the cylinder length

Material/Finish	Article No.
Plastic grey	916.99.011

Special Order

We reserve the right to alter specifications without notice (HIN Architectural Hardware 2015).

Knob Lockset

Features

- For flush timber or steel doors
- Suitable for door leaf thickness (b): 35–48mm
- Cylinder with 5 pin tumblers

Technical Data

- Backset (a): 60mm (70mm option as special request)
- Rosette diameter 75mm

Supplied with

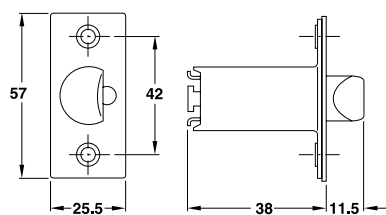
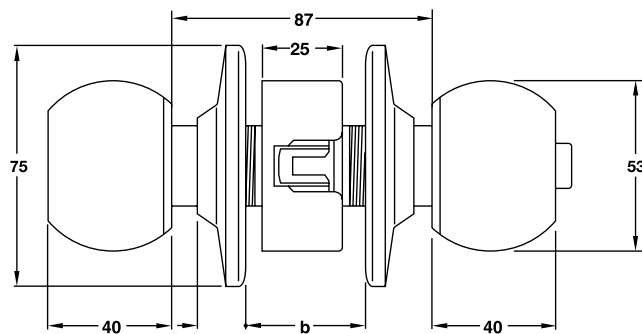
- 1 Knob lockset
- 1 Latch
- 1 Striking plate
- 3 Keys (For Entrance version only)
- 1 Set of fixing material



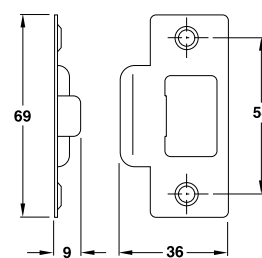
2

Master key available on request

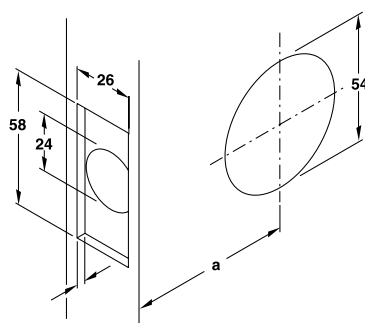
Function	Finish	Backset	Article No.
Entrance	Stainless steel (US 32 D)	60mm	911.64.215



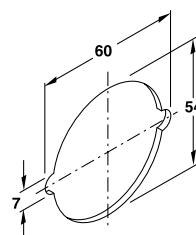
Latch



Striking plate



Installation in steel doors



Installation in steel doors

b = Door leaf thickness

a = Backset, 60 mm

We reserve the right to alter specifications without notice (HIN Architectural Hardware 2015).

Knob Lockset

Features

- For flush timber or steel doors
- Suitable for door leaf thickness (b): 35–48 mm
- Cylinder with 5 pin tumblers

Technical Data

- Backset (a): 70 mm
- Rosette diameter 75 mm

Supplied with

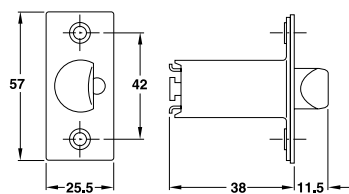
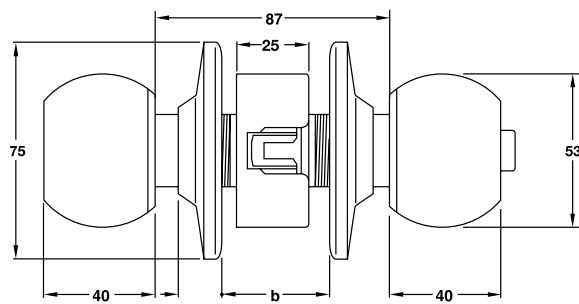
- 1 Knob lockset
- 1 Latch
- 1 Striking plate
- 3 Keys (For Entrance version only)
- 1 Set of fixing material



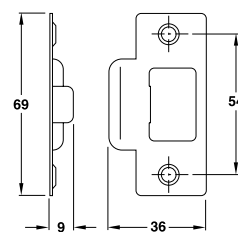
2

Master key available on request

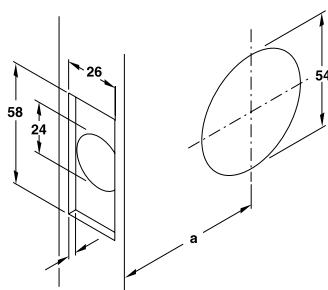
Function	Finish	Backset	Article No.
Entrance	Polished Brass	70 mm	911.64.292
Privacy	Polished Brass	70 mm	911.64.313



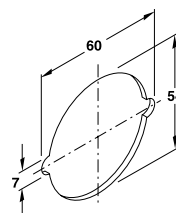
Latch



Striking plate



Installation in steel doors



Installation in steel doors

b = Door leaf thickness

a = Backset, 70 mm

We reserve the right to alter specifications without notice (HIN Architectural Hardware 2015).

Entrance Function Knob Lockset

Features

- For flush timber or steel doors
- Suitable for door leaf thickness (b): 35–48 mm
- Cylinder with 5 pin tumblers
- Rosette diameter 75 mm

Technical Data

- Backset (a): 70 mm

Supplied with

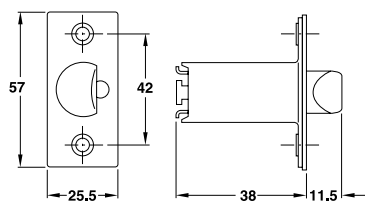
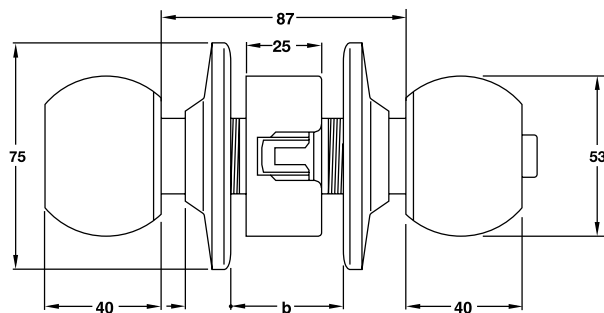
- 1 Knob lockset
- 1 Latch
- 1 Striking plate
- 3 Keys (For Entrance version only)
- 1 Set of fixing material



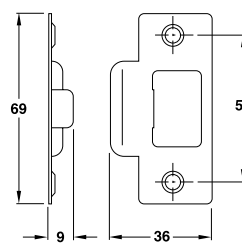
2

Master key available on request

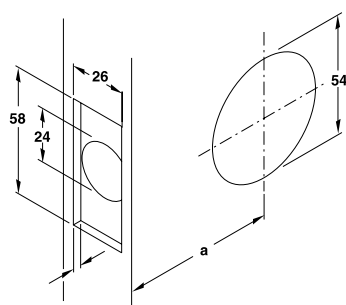
Function	Finish	Backset	Article No.
Entrance	Antique Copper	70 mm	911.64.293
Privacy	Antique Copper	70 mm	911.64.314



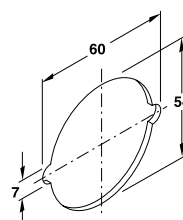
Latch



Striking plate



Installation in steel doors



Installation in steel doors

b = Door leaf thickness

a = Backset, 70 mm

We reserve the right to alter specifications without notice (HIN Architectural Hardware 2015).

Entrance Function Knob Lockset

Features

- For flush timber or steel doors
- Suitable for door leaf thickness (b): 35–48 mm
- Cylinder with 5 pin tumblers
- Rosette diameter 75 mm

Technical Data

- Backset (a): 70 mm

Supplied with

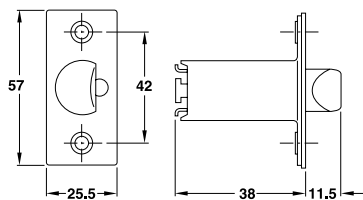
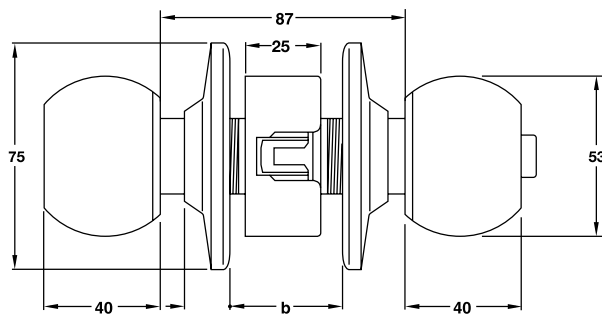
- 1 Knob lockset
- 1 Latch
- 1 Striking plate
- 3 Keys (For Entrance version only)
- 1 Set of fixing material



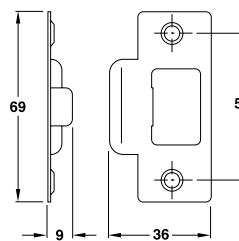
2

Master key available on request

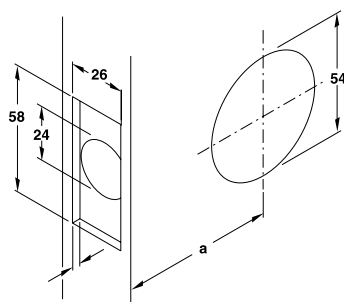
Function	Finish	Backset	Article No.
Entrance	Antique Bronze	70 mm	911.64.294
Privacy	Antique Bronze	70 mm	911.64.315



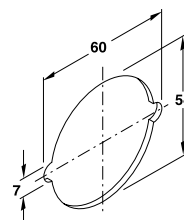
Latch



Striking plate



Installation in steel doors



Installation in steel doors

b = Door leaf thickness

a = Backset, 70 mm

We reserve the right to alter specifications without notice (HIN Architectural Hardware 2015).

Entrance Function Knob Lockset

Features

- For flush timber or steel doors
- Suitable for door leaf thickness (b): 35–48 mm
- Cylinder with 5 pin tumblers
- Rosette diameter 75 mm

Technical Data

- Backset (a): 70 mm

Supplied with

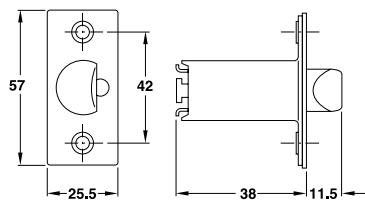
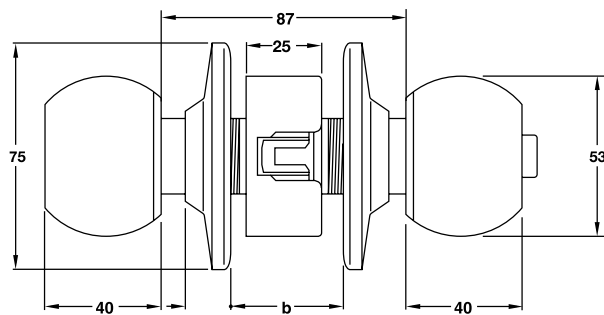
- 1 Knob lockset
- 1 Latch
- 1 Striking plate
- 3 Keys (For Entrance version only)
- 1 Set of fixing material



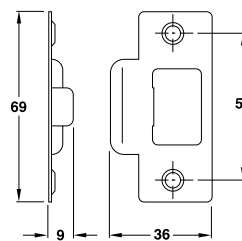
2

Master key available on request

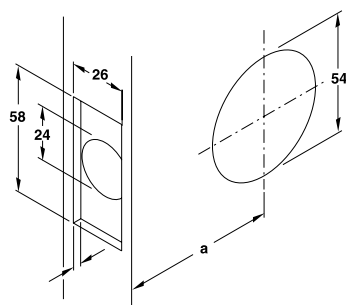
Function	Finish	Backset	Article No.
Entrance	Oil Rubbed Bronze	70mm	911.64.232
Privacy	Oil Rubbed Bronze	70mm	911.64.233



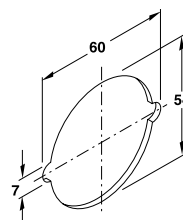
Latch



Striking plate



Installation in steel doors



Installation in steel doors

b = Door leaf thickness

a = Backset, 70 mm

We reserve the right to alter specifications without notice (HIN Architectural Hardware 2015).

Toilet Function Knob Lockset

Features

- For flush timber or steel doors
- Suitable for door leaf thickness (b): 35-48 mm
- Cylinder with 5 pin tumbler

Technical Data

- Backset (a): 60 mm (70 mm option as special request)
- Rosette diameter 75 mm

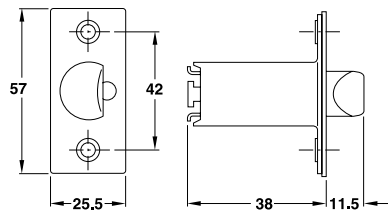
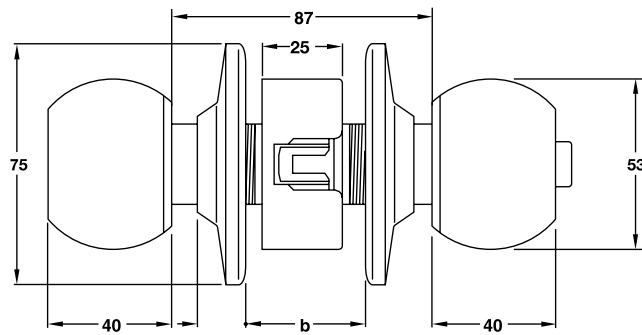
Supplied with

- 1 Knob lockset
- 1 Latch
- 1 Striking plate
- 3 Keys (For Entrance version only)
- 1 Set of fixing material

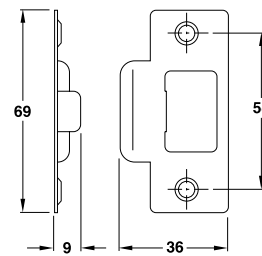


2

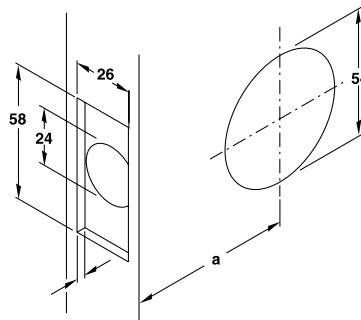
Function	Finish	Article No.
Privacy	Stainless steel (US 32 D)	911.64.219



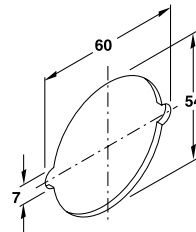
Latch



Striking plate



Installation in steel doors



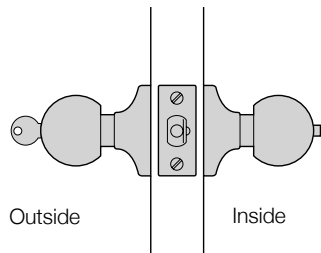
Installation in steel doors

b = Door leaf thickness

a = Backset, 60 mm

We reserve the right to alter specifications without notice (HIN Architectural Hardware 2015).

For entrance doors



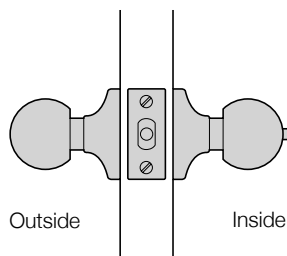
Master key available on request

Material/Finish	Article No.
Stainless steel matt (304)	911.64.680
Brass polished	911.64.681
Antique copper	911.64.682
Antique brass	911.64.683

Special Order

2

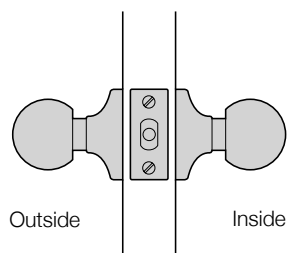
For bathroom/WC doors



Material/Finish	Article No.
Stainless steel matt (304)	911.64.684
Brass polished	911.64.685
Antique copper	911.64.686
Antique brass	911.64.687

Special Order

For passage doors

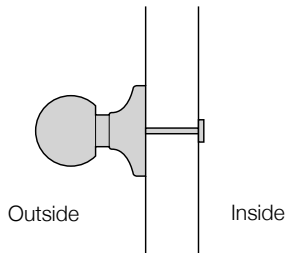


Material/Finish	Article No.
Stainless steel matt (304)	911.64.688
Brass polished	911.64.689
Antique copper	911.64.690
Antique brass	911.64.691

Special Order

We reserve the right to alter specifications without notice (HIN Architectural Hardware 2015).

Knob set for closet, pivot, sliding double action doors



Outside

Inside

2

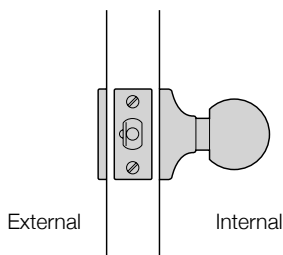
Features

- Outside: Rigid knob
- Knob for opening hinged, sliding or swing doors

Material/Finish	Article No.
Stainless steel (304)	911.64.250
Brass polished	911.64.251
Antique copper	911.64.252
Antique brass	911.64.253

Special Order

Knob locksets for single passage



External

Internal

Function according to ANSI F75

Opening from inside by turning the knob. When the knob is locked, it can be only operated with the key.

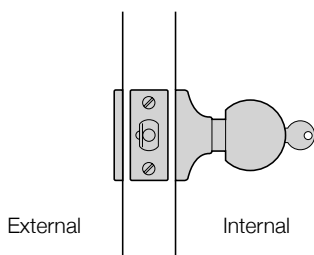
Features

- Outside: Blind rose
- Inside: Turn knob
- With deadlock latch

Material/Finish	Article No.
Stainless steel (304)	911.64.324
Brass polished	911.64.325
Antique copper	911.64.326
Antique brass	911.64.327

Special Order

Knob locksets for single communication



External

Internal

Function according to ANSI F75

Opening from outside by turning the knob or locking with key operation.

Features

- Master key on request available
- Outside: Blind rose
- Inside: Turn knob with cylinder
- With deadlock latch

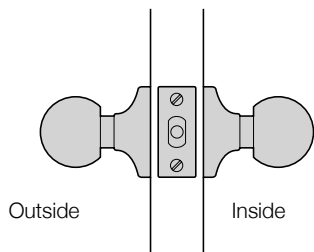
Master key available on request

Material/Finish	Article No.
Stainless steel (304)	911.64.334
Brass polished	911.64.335
Antique copper	911.64.336
Antique brass	911.64.337

Special Order

We reserve the right to alter specifications without notice (HIN Architectural Hardware 2015).

Knob lockset for passage and closet doors



Function according to ANSI F75

Opening from outside and inside by turning the knob

Features

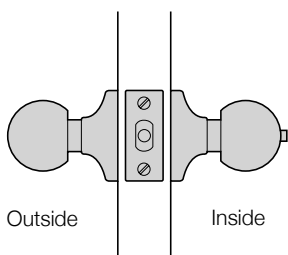
- Outside: Turn knob
- Inside: Turn knob

Material/Finish	Article No.
Stainless steel (304)	911.64.254
Brass polished	911.64.255
Antique copper	911.64.256
Antique brass	911.64.257

Special Order

2

Knob lockset for bathroom/WC doors, bedroom and private room doors



Function according to ANSI F76

Locking from inside with push button. Opening from outside with turn knob.
 Emergency case: Knob can be locked by using coin or screw driver from outside.

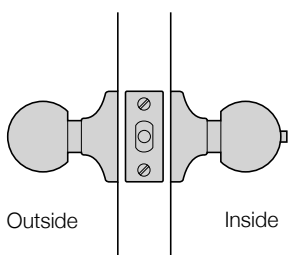
Features

- Outside: Turn knob with emergency opening possibility
- Inside: Turn knob with pushbutton

Material/Finish	Article No.
Stainless steel (304)	911.64.258
Stainless steel (316)	911.64.407
Brass polished	911.64.259
Antique copper	911.64.260
Antique brass	911.64.261

Special Order

Knob lockset for patio and private room doors



Function according to ANSI F77

Locking from inside with push button. Opening from outside with turn knob.

Features

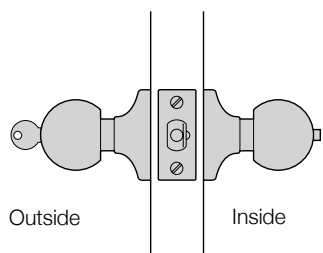
- Outside: Turn knob
- Inside: Turn knob with push button
- With deadlock latch

Material/Finish	Article No.
Stainless steel (304)	911.64.262
Brass polished	911.64.263
Antique copper	911.64.264
Antique brass	911.64.265

Special Order

We reserve the right to alter specifications without notice (HIN Architectural Hardware 2015).

Knob lockset for entrance and office doors



2

Function according to ANSI F81, F82

Door can be locked by pushing the button from inside. Door can be unlocked by using the key from outside. Door can be opened by using the key outside and turning the knob from inside.

Features

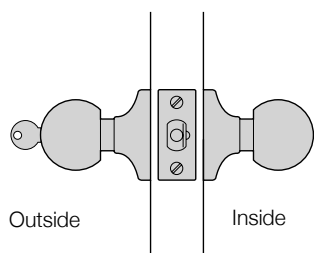
- Master key on request available
- Outside: Turn knob with cylinder
- Inside: Turn knob with push button, fixing device

Master key available on request

Material/Finish	Article No.
Stainless steel (304)	911.64.266
Stainless steel (316)	911.64.399
Brass polished	911.64.267
Antique copper	911.64.268
Antique brass	911.64.269

Special Order

Knob lockset for storeroom and closet doors



Function according to ANSI F86

Latch bolt can be retracted by knob inside only. Outside knob rigid. Key outside can be retracted by latch bolt.

Features

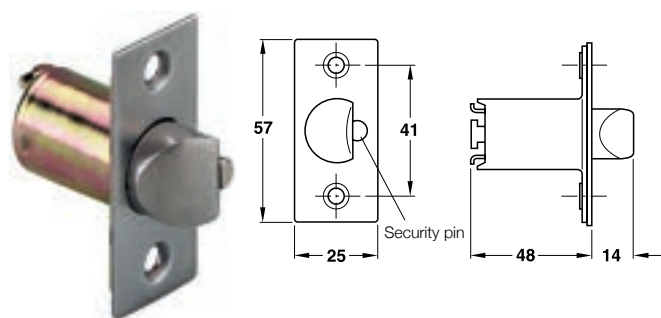
- Master key on request available
- Outside: Rigid knob with cylinder
- Inside: Turn knob
- With deadlock latch

Master key available on request

Material/Finish	Article No.
Stainless steel (304)	911.64.270
Stainless steel (316)	911.64.409
Brass polished	911.64.271
Antique copper	911.64.272
Antique brass	911.64.273

Special Order

Latch for 70 mm backset StarTec



Features

- Suitable for knob locksets, standard duty
- Optional with or without security pin

Technical data

- Backset: 70 mm

Master key available on request

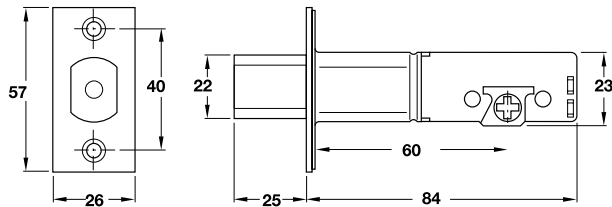
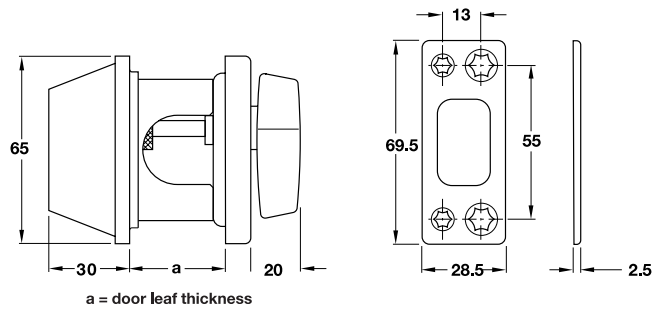
Material/Finish	With security pin	Without security pin
Stainless steel (304)	911.64.298	911.64.302
Brass polished	911.64.299	911.64.303
Antique copper	911.64.300	911.64.304
Antique brass	911.64.301	911.64.305

Special Order

We reserve the right to alter specifications without notice (HIN Architectural Hardware 2015).

Deadbolt standard duty StarTec

Single deadbolt



Features

- Master key on request available
- For flush timber or steel doors
- Suitable for DIN left and right hand
- Suitable for door leaf thicknesses: 28–45 mm
- Outside: Cylinder with 6 pin tumblers
- Inside: Thumbturn

Technical data

- Backset (a): 60 mm

Supplied with

- 1 Locking case with bolt part
- 1 Striking plate
- 3 Keys brass nickel plated
- 1 Set of fixing material
- 1 Set of installation instructions

Material/Finish	Article No.
Stainless steel (304)	911.64.274
Brass polished	911.64.275
Antique copper	911.64.276
Antique brass	911.64.277

Special Order

We reserve the right to alter specifications without notice (HIN Architectural Hardware 2015).

Double Deadbolt StarTec

2



Features

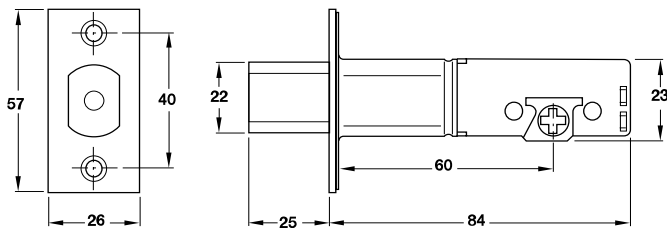
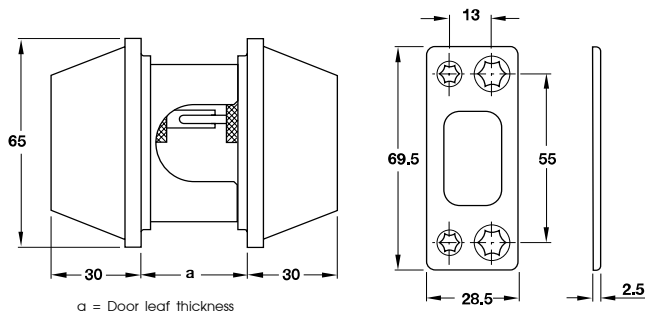
- Master key on request available
- For flush timber or steel doors
- Suitable for DIN left and right hand
- Suitable for door leaf thicknesses: 28–45 mm
- Outside: Cylinder with 6 pin cylinder

Technical data

- Backset (a): 60 mm

Supplied with

- 1 Locking case with bolt part
- 1 Striking plate
- 3 Keys brass nickel plated
- 1 Set of fixing material
- 1 Set of installation instructions



Material/Finish	Article No.
Stainless steel (304)	911.64.278
Brass polished	911.64.279
Antique copper	911.64.280
Antique brass	911.64.281

Special Order

We reserve the right to alter specifications without notice (HIN Architectural Hardware 2015).

Single Deadbolt



Features

- For flush timber or steel doors
- Suitable for DIN left and right hand
- Suitable for door leaf thicknesses: 28–45 mm
- Outside: Cylinder with 5 pin tumblers
- Inside: Thumbturn
- Deadbolt 1-turn

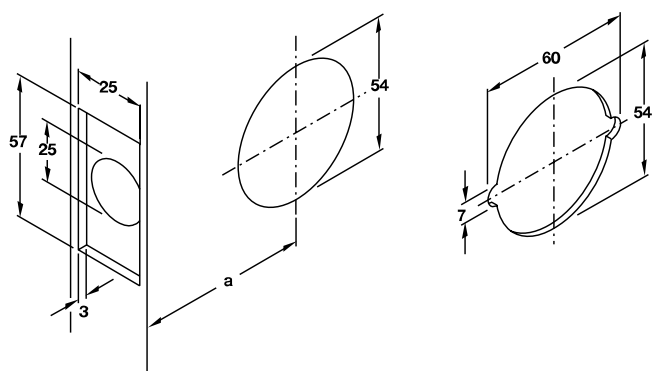
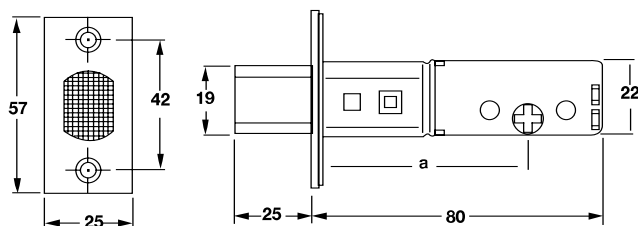
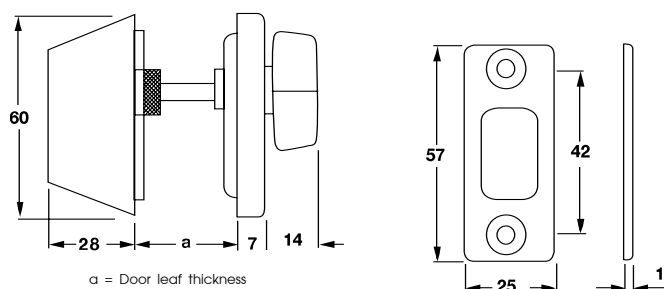
Technical data

- Backset, adjustable (a): 60/70 mm

Supplied with

- 1 Locking case with bolt part
- 1 Striking plate
- 3 Keys brass nickel plated
- 1 Set of fixing material
- 1 Set of installation instructions

2



Material/Finish	Article No.
Stainless steel (304)	911.22.395
Brass polished	911.22.396
Antique copper	911.22.397
Antique brass	911.22.398

Special Order

We reserve the right to alter specifications without notice (HIN Architectural Hardware 2015).

Economy Double Deadbolt

2



Features

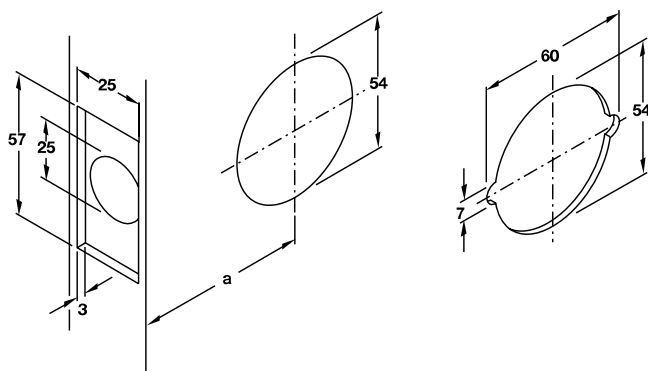
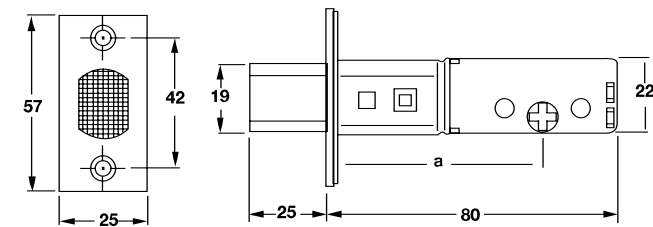
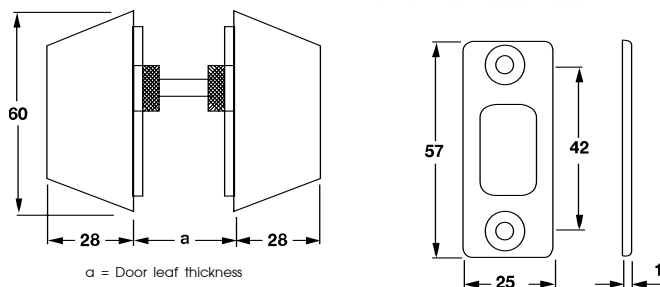
- For flush timber or steel doors
- Suitable for DIN left and right hand
- Suitable for door leaf thicknesses: 28–45mm
- Outside: Cylinder with 5 pin tumblers
- Inside: Thumbturn
- Deadbolt 1-turn

Technical data

- Backset, adjustable (a): 60/70mm

Supplied with

- 1 Locking case with bolt part
- 1 Striking plate
- 3 Keys brass nickel plated
- 1 Set of fixing material
- 1 Set of installation instructions



Material/Finish	Article No.
Stainless steel (304)	911.64.229
Brass polished	911.64.228
Antique copper	911.64.231
Antique brass	911.64.230

Special Order

We reserve the right to alter specifications without notice (HIN Architectural Hardware 2015).

A. Serrature Meroni Forma Knob set for Wooden Door,

Entry Function (Single Door): Key Outside and Push Button Inside, Door
 Thickness: 32-60mm

Door Knob set with key and push button

Finish	Article No.
Chrome Matt	981.40.034

Special Order

Latch for Wooden door

Finish	Thickness	Backset	Article No.
Nickel Matt	32-60mm	60mm	911.23.284

Special Order

Strike plate for wooden door or single glass door

Finish	Article No.
SS Matt	911.39.303

Special Order



B. Serrature Meroni Forma Knob set for Wooden Door

Bathroom Function (Single Door): Push Button Inside and Emergency indicator outside.
 Door Thickness: 32-60mm

Door knob set with indicator and push button

Finish	Article No.
Chrome Matt	981.40.044

Special Order

Latch for Wooden door

Finish	Thickness	Backset	Article No.
Nickel Matt	32-60mm	60mm	911.23.284

Special Order

Strike plate for wooden door or single glass door

Finish	Article No.
SS Matt	911.39.303

Special Order



We reserve the right to alter specifications without notice (HIN Architectural Hardware 2015).

Customer benefits when using Diallock electronic identification and locking system

2

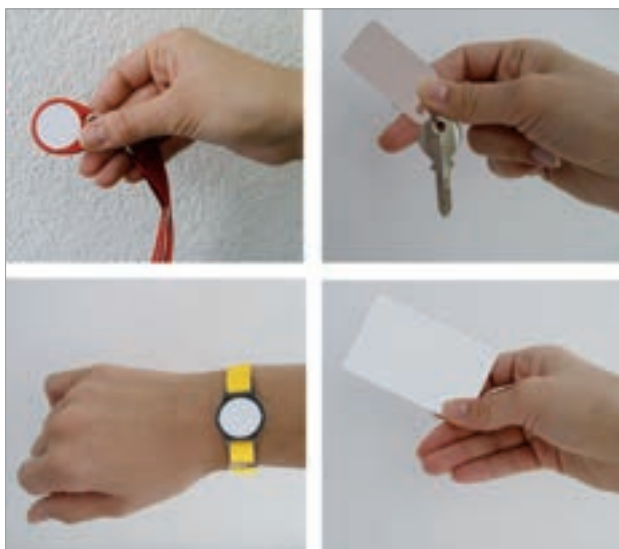


The Diallock electronic identification and locking system has some decisive advantages compared to mechanical locking systems:

- More flexible locking systems
- Wide range of applications
- New organisation solutions
- Additional convenience
- High security standards
- Low maintenance costs
- Optimum functionality in buildings and institutions
- Effective investment protection

A wide range of organisational tasks can be performed using the Diallock system. Diallock introduces functionality to banks, offices, hotels, industrial buildings, jewellers, hospitals, laboratories, resorts, retirement homes and administration buildings:

- Suitable for any kind of door or gate and also for furniture doors
- Central administration of the access authorisations for guests, patients, employees, suppliers and visitors



Diallock is based on touchless passive transponder technology:

- No independent power supply
- Low-cost, fail-safe and maintenance-free
- Does not wear

Available in different designs

Areas of application for Dialock



Dialock in hotels and resorts



Dialock in stores and store fixtures

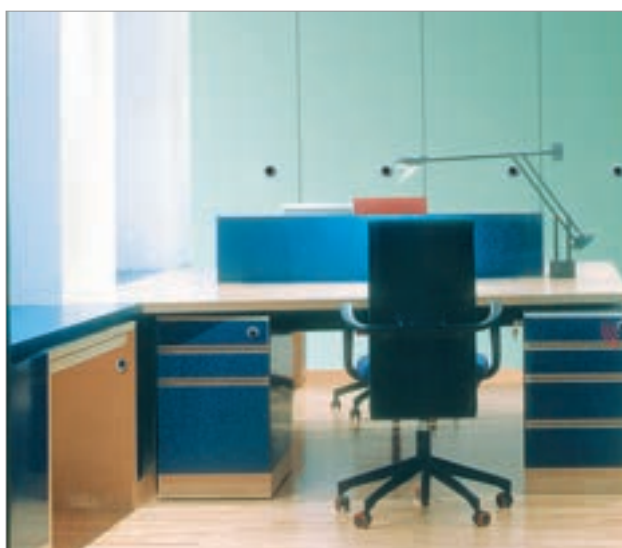
2



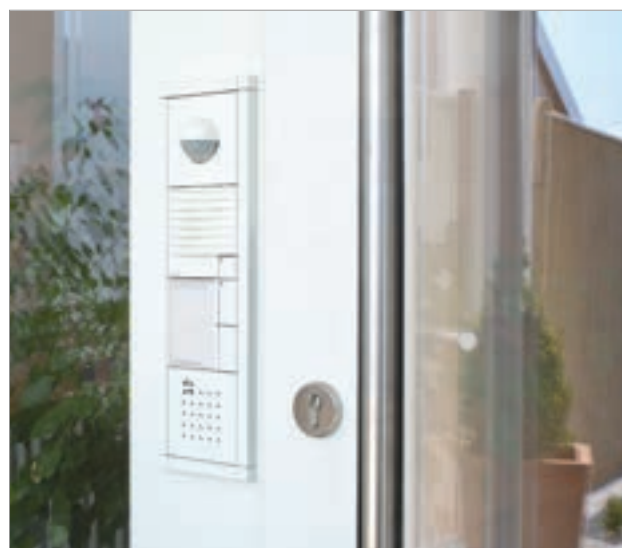
Dialock in hospitals and retirement homes



Dialock in wellness areas and changing rooms



Dialock in office

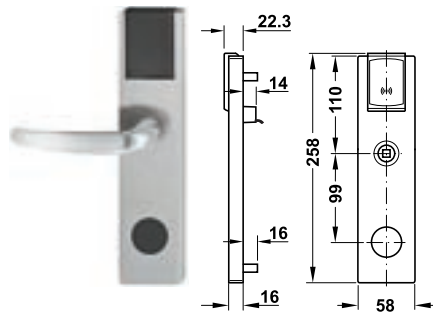


Dialock in private residential and living areas

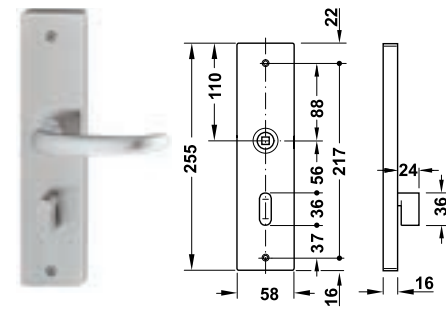
We reserve the right to alter specifications without notice (HIN Architectural Hardware 2015).

Door terminal DT Lite Dialock

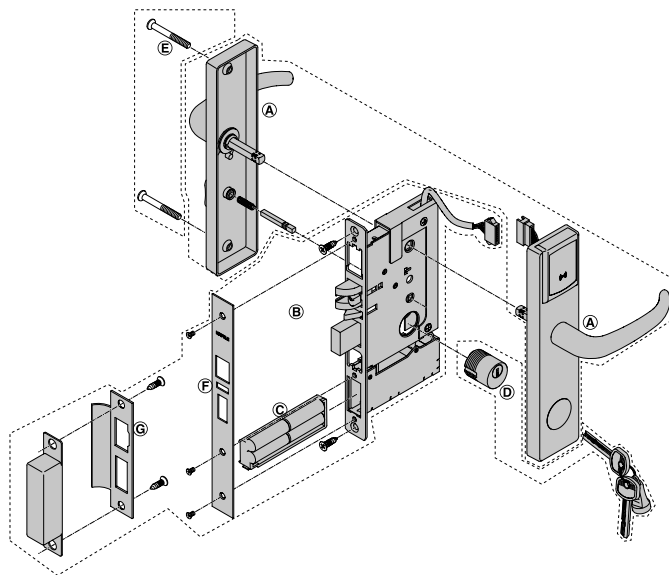
2



Blackplate external module
 with processor (access control)



Backplate internal module



DT Lite stainless steel matt: Please order (A) - (E) for one door.
 DT Lite brass plated polished PVD: Please order (A) - (C) for one door. (Use (F) and (G) to change the finish of (B) from stainless steel matt to brass plated polished PVD)

- (A) 1 Module DT Lite
- (B) 1 Mortise lock DT Lite
- (C) 4 Batteries AA
- (D) 1 Round cylinder DT Lite
- (E) 1 Threaded screw M5(2pcs)
- (F) 1 Forend plate
- (G) 1 Striking plate

Features

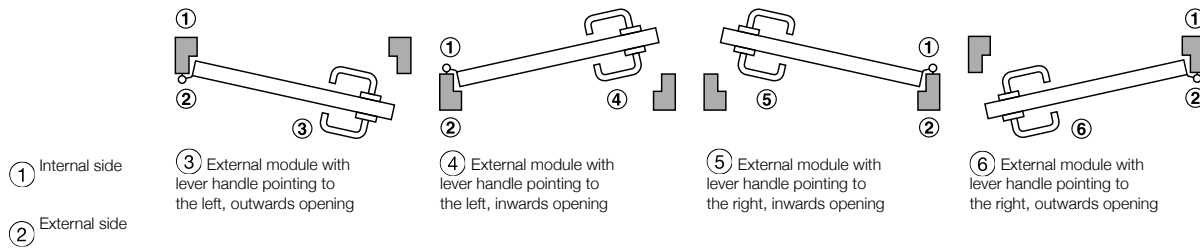
- Touchless activation with Tag-it™ key
- Door can be opened without a key at any time from inside
- Blue/red LEDs for indication of locking and unlocking
- After unlocking with Diallock key in standard setting, the door is locked again after 3 seconds, alternate locking/unlocking can be set
- Service life of battery: Approx. 2 years or 22,000 locking/unlocking processes using alkaline-manganese batteries 1.5V AA
- For door thickness: 38–80mm
- 5 level handles selection
- With real-time clock and logging of all processes
- Degree of protection: IP20
- Infrared interface for programming
- For service personnel, Indication of programming status and when battery change is required

We reserve the right to alter specifications without notice (HIN Architectural Hardware 2015).

A Module DT Lite

Determine lever handle and opening direction

The opening direction inwards or outwards must be selected with the mortise lock.



Supplied with

- 1 Backplate external module with processor
- 1 Backplate internal module
- 2 Lever handle aperture parts
- 1 Square spindle 8 mm
- 1 Square spindle DND

Door handle design	Door thickness mm	Stainless steel matt	Brass plated polished PVD	Stainless steel matt	Brass plated polished PVD
		External module with lever handle pointing to the left		External module with lever handle pointing to the right	
	38-65	917.56.000	917.56.008	917.56.010	917.56.018
	66-80	917.56.020	917.56.028	917.56.030	917.56.038
	38-65	917.56.050	917.56.058	917.56.060	917.56.068
	66-80	917.56.070	917.56.078	917.56.080	917.56.088
	38-65	917.56.100	917.56.108	917.56.110	917.56.118
	66-80	917.56.120	917.56.128	917.56.130	917.56.138
	38-65	917.56.150	917.56.158	917.56.160	917.56.168
	66-80	917.56.170	917.56.178	917.56.180	917.56.188
	38-65	917.56.200	917.56.208	917.56.210	917.56.218
	66-80	917.56.220	917.56.228	917.56.230	917.56.238

Special Order

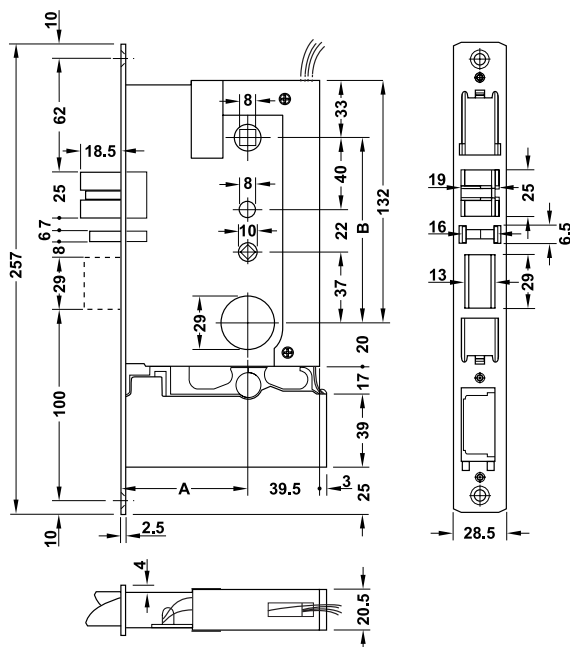
We reserve the right to alter specifications without notice (HIN Architectural Hardware 2015).

Order reference

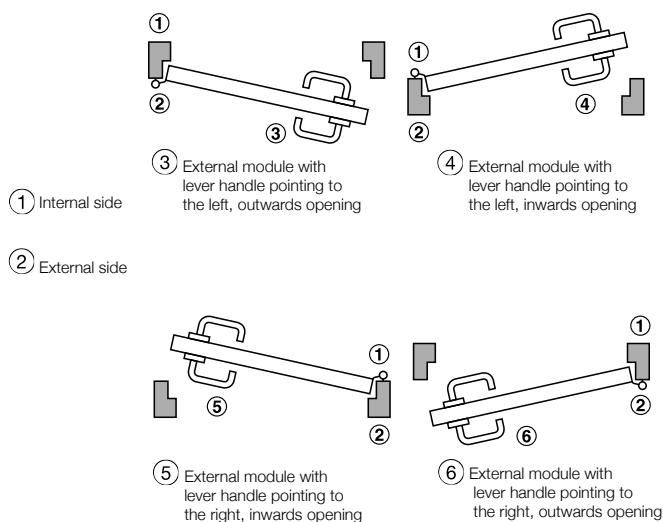
Please order maintenance tools, programming tools and Tag-it™ cards

B Mortise lock DT Lite

2



Determine lever handle and opening direction



Features

- For flush interior doors
- With comfort function (panic function)
- With closing spring latch and feedback
- Aperture: Prepared for round cylinder

Technical data

- Deadbolt: 1-turn, forend square
- Lever follower: - □8mm
- Backset A: 70mm
- Distance B: 99mm

Material/Finish

- Forend, latchbolt and deadbolt stainless steel matt, lock case and lever follower steel matt

Supplied with

- 1 Mortise lock and 2 fixing screws
- 1 Forend plate
- 1 Flanged striking plate with deadbolt pocket (width 46mm)
- 1 Battery box (without batteries)

Mounting	Article No.
External module with lever handle pointing to the left, outwards opening	917.81.470
External module with lever handle pointing to the left, inwards opening	917.81.450
External module with lever handle pointing to the right, outwards opening	917.81.480
External module with lever handle pointing to the right, inwards opening	917.81.460

Special Order

We reserve the right to alter specifications without notice (HIN Architectural Hardware 2015).

© **Battery AA**



Note
 A lithium battery has a service life of up to 7 times longer as an alkaline-manganese battery.

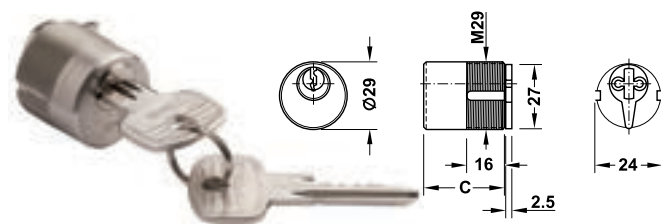
Type	Article No.
Alkaline-manganese battery 1.5V AA	910.54.980
Lithium battery 1.5V AA	910.54.940

Special Order

Order reference

For one door terminal set 4 pieces required.

Ⓓ **Round cylinder DT Lite**



Features

- Keyed different or keyed alike

Material/Finish

- Cylinder housing brass nickel plated matt

With different key changes

Supplied with

- 1 Round cylinder, keyed different
- 3 Nickel plated steel keys

Length C mm	For door thickness mm	Article No.
27.5	38–50	917.81.520
37.5	51–70	917.81.540

Special Order

With key alike

Supplied with

- 1 Round cylinder, keyed alike

For door thickness mm	Length C mm	Key change	Article No.
38–50	27.5	1	917.81.521
		2	917.81.522
		3	917.81.523
		4	917.81.524
		5	917.81.525
		6	917.81.526
		7	917.81.527
		8	917.81.528
		9	917.81.529
		10	917.81.530
51–70	37.5	1	917.81.541
		2	917.81.542
		3	917.81.543
		4	917.81.544
		5	917.81.545
		6	917.81.546
		7	917.81.547
		8	917.81.548
		9	917.81.549
		10	917.81.550

Special Order

Order reference

Please order for key alike version the key separately.

We reserve the right to alter specifications without notice (HIN Architectural Hardware 2015).

E Threaded screw M5



Material

- Steel

Supplied with

2 Threaded screws M5

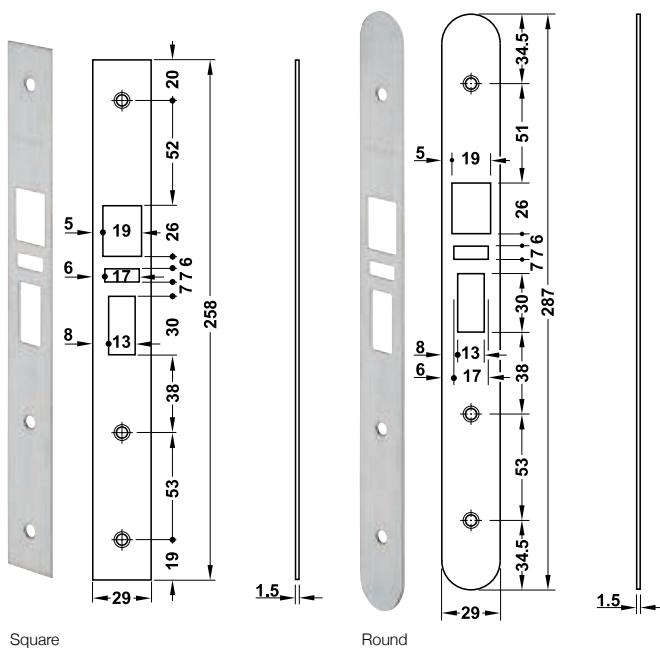
Length mm	For door thickness mm
50	38-43
60	44-53
70	54-63
80	64-73
90	74-83

Length mm	Chrome plated matt	Brass plated polished PVD
50	917.80.904	917.80.908
60	917.80.924	917.80.928
70	917.80.944	917.80.948
80	917.80.964	917.80.968
90	917.80.984	917.80.988

Special Order

2

F Forend plate



Material

- Stainless steel

Supplied with

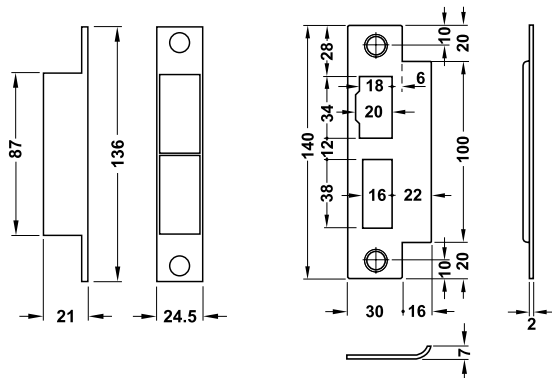
- 1 Forend plate
- 3 Fixing screws

Version	Matt	Brass plated polished PVD
Square	-	917.81.098
Round	917.81.080	917.81.088

Special Order

We reserve the right to alter specifications without notice (HIN Architectural Hardware 2015).

ⓐ Striking plate



Material

- Striking plate stainless steel
- Deadbolt pocket plastic

Supplied with

- 1 Striking plate
- 1 Deadbolt pocket
- 2 Fixing screws

Mounting	Matt	Brass plated polished PVD
Width 46 mm		
DIN left	917.81.104	917.81.108
DIN right	917.81.114	917.81.118
Width 49 mm		
DIN left	917.81.124	917.81.128
DIN right	917.81.134	917.81.138

Special Order

2

Cylinder cover opener



Supplied with	Article No.
1 Cylinder cover opener	917.81.902

Special Order

Cylinder cover



Material/Finish	Article No.
Steel black	917.81.931

Special Order

We reserve the right to alter specifications without notice (HIN Architectural Hardware 2015).

Battery box



	Article No.
Battery box	917.81.950

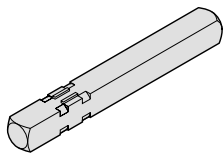
Special Order

Order reference

Please order 1.5 V AA batteries separately

2

Square spindle DND



Supplied with

1 Square spindle DND

1 Spring

Length A mm	Door thickness. mm	Article No.
40	38-56	917.81.801
50	57-63	917.81.802
60	64-77	917.81.803

Special Order

Drilling template DT Lite



Feature

- For work preparation of mounting DT door terminal sets on wooden doors

	Article No.
Drilling template DT Lite	917.90.007

Special Order

We reserve the right to alter specifications without notice (HIN Architectural Hardware 2015).

Door terminal DT 210 Dialock



2



- ESD protection up to 20,000 V (ESD = electro-static discharge)
- Front foil with customised design
- Suitable for use with macro programming
- Logging function of opening and emergency opening processes in combination with suitable mortise lock

How to order door terminal DT 210

Following components are required for one door:
Please see more details on next page!

- Ⓐ 1 Door module DT 210
- Ⓑ 1 Mortise lock
- Ⓒ 2 Door handles
- Ⓓ 1 Striking plastic box
- Ⓔ 1 Single profile cylinder
- Ⓕ 4 Batteries
- Ⓖ 1 Striking plate
- Ⓗ 1 Mounting material

Features

- Touchless activation with Tag-it™ key
- Door can be opened without a key at any time from inside
- Blue/red LEDs for indication of locking and unlocking
- With internal thumbturn with which "Do not disturb" can be indicated on the reader module by a flashing signal
- Service life of battery: approx. 2 years, generally 10 locking cycles/day when used with alkaline-manganese batteries 1.5V AA
- For door thickness: 33–108 mm
- 8 level handles selection
- With real-time clock and logging of all processes
- Degree of protection: Indoor version: IP20; Outdoor version: IP45
- Infrared interface for programming
- For service personnel, indication of programming status and when battery change is required

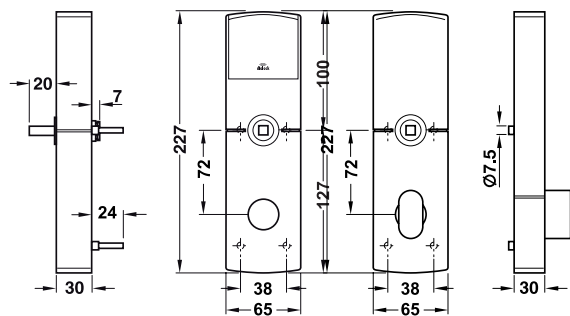
Order reference

Please order maintenance tools, programming tools and Tag-it™ cards additionally.

(A) Door module DT 210



2



Backplate external module
with processor

Backplate internal module,
with thumbturn

Material

- Stainless steel

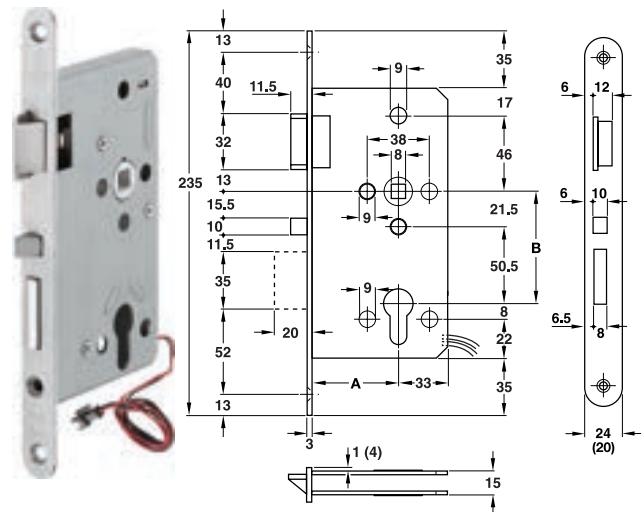
Supplied with

- 1 External module with processor
- 1 Internal module with thumbturn
- 1 Small parts bag

Finish	Indoor version	Outdoor version
Matt	917.54.500	917.54.520
Brass coloured polished PVD	917.54.508	917.54.528

Special Order

(B) Mortise lock



Features

- For single wooden doors,
- For rebated doors (forend 20 mm) or flush doors (forend 24 mm)
- With self-locking action and feed back

Technical data

- Deadbolt: 1-turn, forend round
- Lever follower: -□ 8 mm
- Backset A: 55 mm
- Distance: 72 mm

Material

- Latchbolt malleable steel
- Deadbolt and lock case steel
- Follower malleable cast

Forend width mm	Mounting	Stainless steel matt	Stainless steel gold coloured
20	DIN L	911.17.122	911.17.142
	DIN R	911.17.123	911.17.143
24	DIN L	911.17.128	911.17.148
	DIN R	911.17.129	911.17.149

Special Order

We reserve the right to alter specifications without notice (HIN Architectural Hardware 2015).


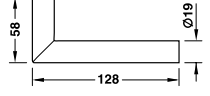

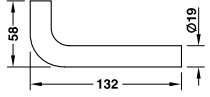

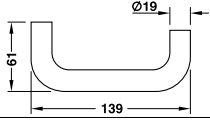

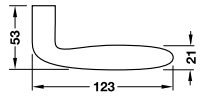

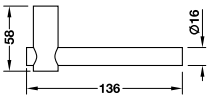

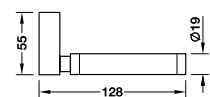

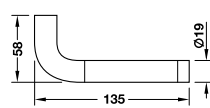

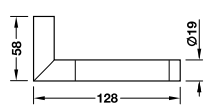
© **Door handle**

Material

- Stainless steel

Supplied with

- 1 Door handle (for 1 side)
- 1 Adapter C (909.09.742)

	Dimension	Model	Finish	Article No.
		Sandra	Matt	902.30.222
			Brass coloured polished PVD	902.30.008
		Sofea	Matt	902.30.232
			Brass coloured polished PVD	902.30.018
		Saria	Matt	902.30.242
			Brass coloured polished PVD	902.30.028
		Sissia	Matt	902.30.370
		Vennia	Matt	902.30.660
		Virginia	Polished/matt	902.30.671
		Laura	Polished/matt	902.30.292
		Leila	Polished/matt	902.30.372

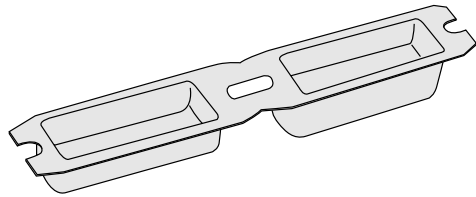
Special Order

Order reference

Please order 2 pieces for one door terminal set.

We reserve the right to alter specifications without notice (HIN Architectural Hardware 2015).

D Striking plastic box

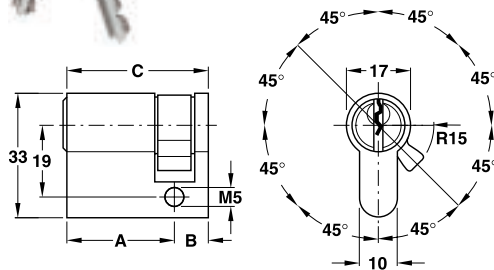


Material/Finish	Article No.
Plastic white	911.76.060
Plastic black	911.76.061

Special Order

2

E Single profile cylinder



Features

- Master key on request available
- With 5 pin tumblers, follower adjustable in 8 positions

Dim. A mm	Dim. B mm	Dim. C mm	Article No.
27.5	10	37.5	916.00.601
31.5		41.5	916.00.602
35.5		45.5	916.00.603
40.5		50.5	916.00.604
45.5		55.5	916.00.600
50.5		60.5	916.00.609
55.5		65.5	916.00.605
60.5		70.5	916.00.606
65.5	75.5	916.00.607	

Special Order

F Battery AA



Note

A lithium battery has a service life of up to 7 times longer as an alkaline-manganese battery.

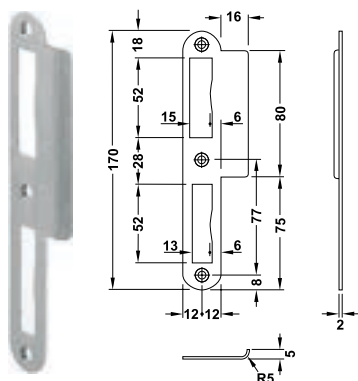
Type	Article No.
Alkaline-manganese battery 1.5V AA	910.54.980
Lithium battery 1.5V AA	910.54.940

Special Order

Order reference

For one door terminal set 4 pieces required.

G Striking plate



Material/Finish	DIN left	DIN right
Stainless steel matt	911.39.747	911.39.748

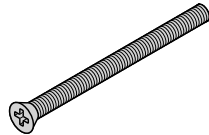
Special Order

We reserve the right to alter specifications without notice (HIN Architectural Hardware 2015).

H Mounting material



Spindle



Thread screw M4

Material/Finish

- Spindle steel yellow galvanized, M4 threaded screw steel galvanized

Supplied with

- 1 Spindle
- 4 Threaded screws M4

Door thickness mm	Spindle mm	Thread length mm	Article No.
33-40	100	25	917.90.441
38-48	110	30	917.90.442
48-58	120	40	917.90.443
58-68	130	50	917.90.444
68-78	140	60	917.90.445
78-88	150	70	917.90.446
88-98	160	80	917.90.447

Special Order

2

Cylinder cover



Material/Finish	Article No.
Plastic black	917.90.483

Special Order

Drilling jig



Features

- Work preparation of wooden doors for mounting of DT 210/400 door terminal modules

	Article No.
Drilling jig	917.90.006

Special Order

Locking ring pliers



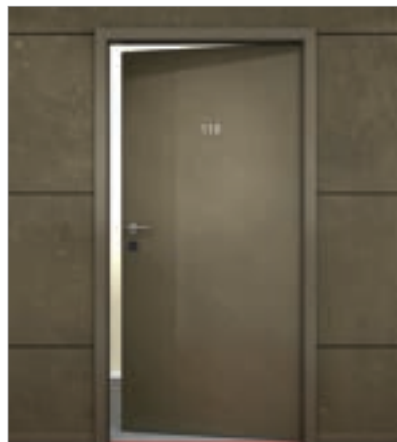
Area of application	Article No.
For mounting of lever handle spindle	917.90.900

Special Order

We reserve the right to alter specifications without notice (HIN Architectural Hardware 2015).

Door terminal DT 400 Dialock

2



A

- Elegant and modern design of rose and escutcheon, no backplate set outside
- Self-locking mortise lock with comfort function
- Escutcheon foil for reader module with customised design, if required

How to order door terminal DT 400

Following components are required for one door:
Please see more details on next page!

- Ⓐ 1 Door module DT 400
- Ⓑ 1 Spindle set
- Ⓒ 1 Spacer plate (Necessary for slim door only.)
- Ⓓ 1 Mounting screw set
- Ⓔ 1 Rosette foil
- Ⓕ 1 Door handle set
- Ⓖ 1 Mortise lock
- Ⓗ 1 Profile cylinder
- Ⓙ 1 Striking plastic box
- Ⓚ 1 Striking plate
- Ⓛ 4 Batteries

Features

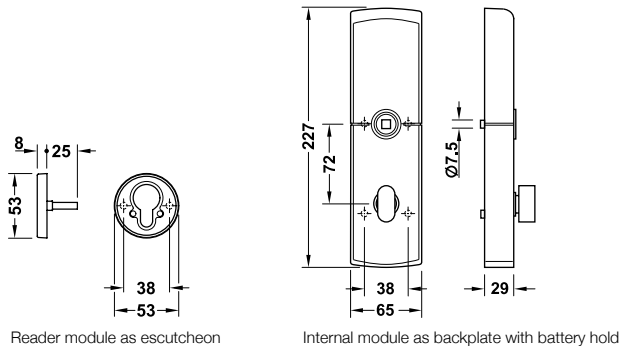
- Touchless activation with Tag-it™ key
- Door can be opened without a key at any time from the inside
- White/red LEDs for indication of locking and unlocking
- With internal thumbturn with which "Do not disturb" can be indicated on the reader module by a flashing signal
- Service life of battery: Approx. 55,000 locking and unlocking processes when used with alkaline-manganese batteries 1.5V AA
- For door thickness: 33–108 mm
- 6 level handles selection
- With real-time clock and logging of all processes
- Degree of protection: IP54
- Infrared interface for programming
- For service personnel, Indication of programming status and when battery change is required

Order reference

Please order maintenance tools, programming tools and Tag-it™ cards additionally.

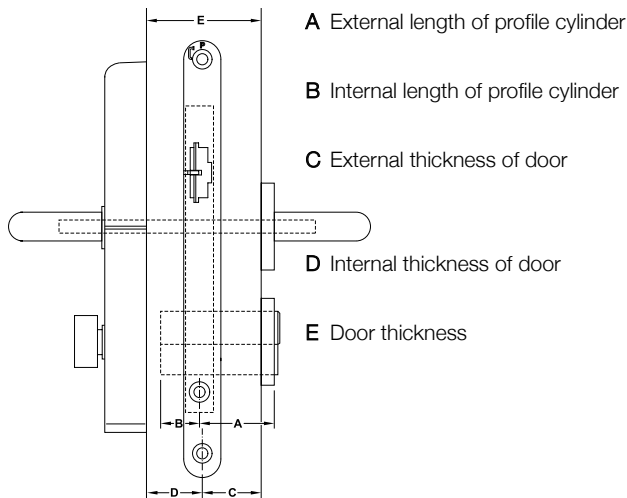
We reserve the right to alter specifications without notice (HIN Architectural Hardware 2015).

A Door module DT 400



Reader module as escutcheon

Internal module as backplate with battery hold



Note

Only rose and escutcheon have a protection degree of IP 54 and suitable for outdoor use. Please check the installation specifications for outdoor version.

Material

- Stainless steel

Supplied with

- 1 Internal module as backplate
- 1 Reader module as escutcheon

Finish	Indoor version	Outdoor version
Matt	917.46.500	917.46.520
Polished	917.46.501	917.46.521
Brass coloured polished PVD	917.46.508	917.46.528

Special Order

B Spindle set



Features

- For mounting of handles and mortise lock
- Version: Split 9mm

Material/Finish

- Steel galvanized

Supplied with

- 1 Spindle, split, 9mm, with threaded pin and sleeve nut
- 2 Grub screws for securing the aperture parts
- 2 Chipboard screws 4.5 x 40mm for fixing the mortise lock

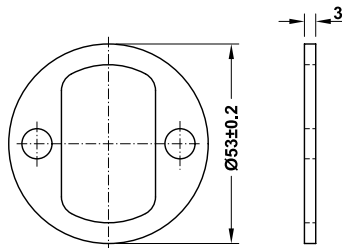
Dim. C mm	Dim. D mm	Article No.
15-30	8-23	917.90.560
	23-28	917.90.561
	38-53	917.90.562
30-45	8-23	917.90.563
	23-28	917.90.564
	38-53	917.90.565
45-60	23-28	917.90.566
	38-53	917.90.567

Special Order

We reserve the right to alter specifications without notice (HIN Architectural Hardware 2015).

2

© Spacer plate for reader module



2

Features

- For compensation with thin door panels
- Thickness: 3mm

Material

- Stainless steel

Technical data

If using a single profile cylinder 916.00.601 (Dim. A = 27.5mm):

- Spacer plate for reader module with blank escutcheon foil:
 Dim. C = 4–9mm for inwards opening doors
 Dim. C = 6–11mm for outwards opening doors
- Spacer plate for reader module with PC escutcheon foil:
 Dim. C = 10–15mm for inwards opening doors
 Dim. C = 12–17mm for outwards opening doors

Finish	Article No.
Matt	917.90.497
Polished	917.90.498
Brass coloured polished (PVD)	917.90.499

Special Order

Order reference

Necessary for slim doors only.

© Mounting screw set



Feature

- For mounting of modules to the door

Material/Finish

- Stainless steel galvanized

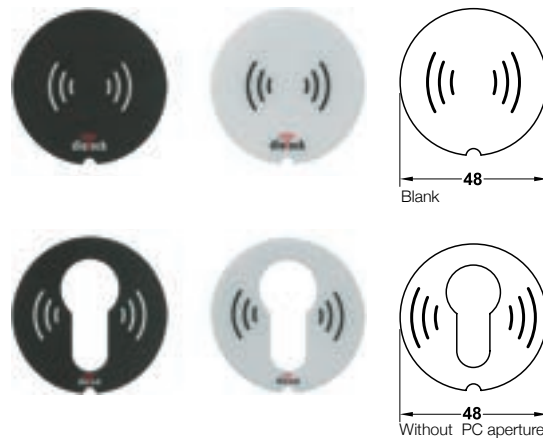
Supplied with

- 2 Screws M4 with threadlocker for level handle aperture part and internal module
- 2 Screws M4 for internal module and reader module

Dim. E mm	Article No.
36–46	917.90.450
46–56	917.90.451
56–66	917.90.452
66–76	917.90.453
76–86	917.90.454
86–96	917.90.455

Special Order

© Rosette foil



Apertures	Material/Colour	Article No.
PC	Plastic grey	917.90.070
	Plastic white	917.90.071
Blank	Plastic grey	917.90.074
	Plastic white	917.90.075

Special Order

We reserve the right to alter specifications without notice (HIN Architectural Hardware 2015).

F) Door handle set

Material

- Stainless steel


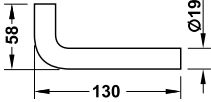

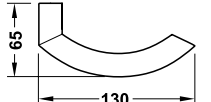

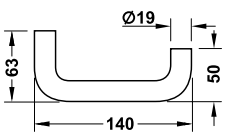





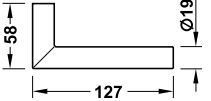
Supplied with

- 1 Door handle for internal module
- 1 Door handle with rosette

Note

Shape and dimensions are similar as shown in illustration.

2

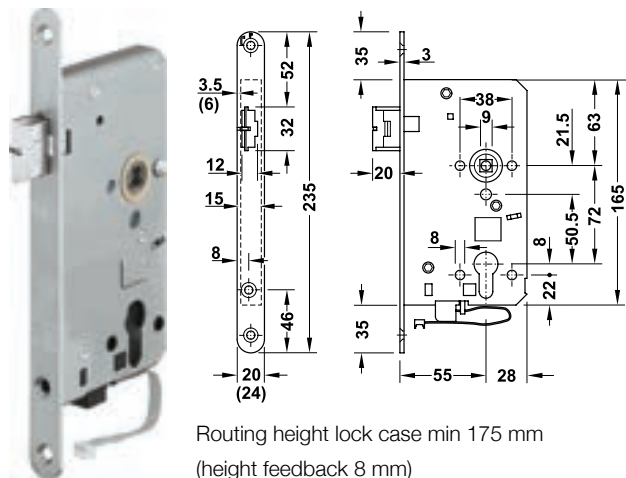
	Dimension	Model	Finish	Article No.
		L	Matt	902.22.300
			Polished	902.22.301
			Brass coloured polished PVD	902.22.308
		C	Matt	902.22.310
			Polished	902.22.311
			Brass coloured polished PVD	902.22.318
		U	Matt	902.22.320
			Polished	902.22.321
			Brass coloured polished PVD	902.22.328
		H	Matt	902.22.330
			Polished	902.22.331
			Brass coloured polished PVD	902.22.338
		J	Matt	902.22.340
			Polished	902.22.341
			Brass coloured polished PVD	902.22.348
		G	Matt	902.22.350
			Polished	902.22.351
			Brass coloured polished PVD	902.22.358

Special Order

We reserve the right to alter specifications without notice (HIN Architectural Hardware 2015).

G Mortise lock

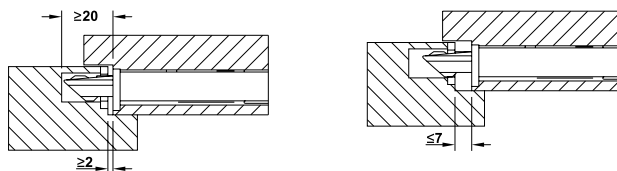
2



Routing height lock case min 175 mm
 (height feedback 8 mm)

Installation

Rebate gap 2–7 mm. Space requirement for latchbolt throw min. 20 mm



Features

- Area of application: For single wooden doors, For rebated doors (forend 20 mm) or flush doors (forend 24 mm)
- Version: With self-locking action and feed back and certified in compliance with EN 12209

Technical data

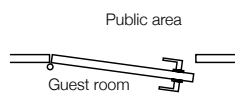
- Deadbolt: 1-turn, forend round
- Lever follower: -□9 mm
- Backset: 55 mm
- Distance: 72 mm

Material

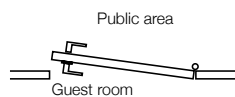
- Forend stainless steel, latchbolt and lock case steel, lever follower malleable cast

Door opening direction

DIN L

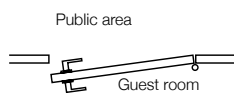


Inwards opening

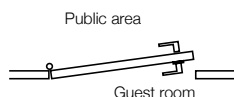


Outwards opening

DIN R



Inwards opening



Outwards opening

Function

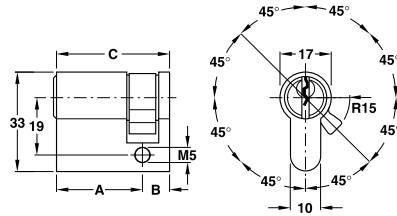
- Door is always locked.
- Opening of door from inside: The latchbolt is retracted by activating the lever handle.
- Opening of door from outside: Turn the key in the single profile cylinder in opening direction as far as it will go, hold and simultaneously activate lever handle.

Forend width mm	Mounting	Article No.
20	DIN L, outwards opening	911.17.501
	DIN L, inwards opening	911.17.500
	DIN R, outwards opening	911.17.503
	DIN R, inwards opening	911.17.502
24	DIN L, outwards opening	911.17.513
	DIN L, inwards opening	911.17.512
	DIN R, outwards opening	911.17.515
	DIN R, inwards opening	911.17.514

Special Order

We reserve the right to alter specifications without notice (HIN Architectural Hardware 2015).

H) Single profile cylinder for reader module

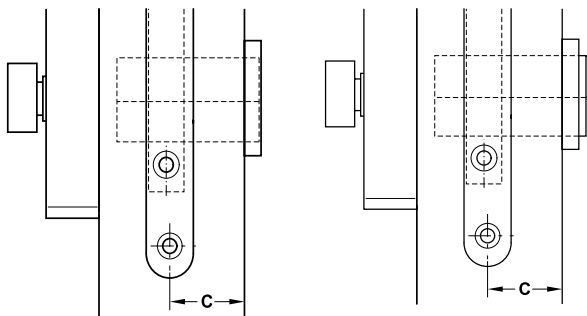


Features

- Master key on request available
- With 5 pin tumblers
- Follower adjustable in 8 positions

2

Installation options for profile cylinder

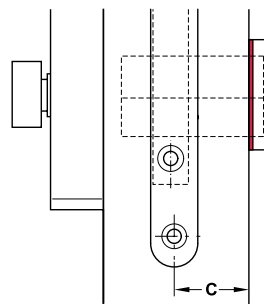


Reader module with blank escutcheon foil



Reader module with PC escutcheon foil

Special solution for thin doors



3 mm spacer plate required for:

Reader module with blank escutcheon foil: Dim. C = Max. 26 mm
 Reader module with PC escutcheon foil: Dim. C = Max. 17 mm

For reader module with blank escutcheon foil



Dim. C mm	Mounting	Article No.
19–24	Inwards opening	916.00.601
21–26	Outwards opening	
22–27	Inwards opening	916.00.602
24–29	Outwards opening	
26–31	Inwards opening	916.00.603
28–33	Outwards opening	
30–35	Inwards opening	916.00.604
32–37	Outwards opening	

Special Order

Reader module with PC escutcheon foil

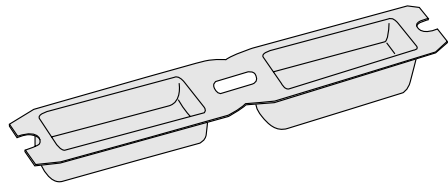


Dim. C mm	Mounting	Article No.
10–15	Inwards opening	916.00.601
12–17	Outwards opening	
13–18	Inwards opening	916.00.602
15–20	Outwards opening	
17–22	Inwards opening	916.00.603
29–24	Outwards opening	
21–26	Inwards opening	916.00.604
23–28	Outwards opening	

Special Order

We reserve the right to alter specifications without notice (HIN Architectural Hardware 2015).

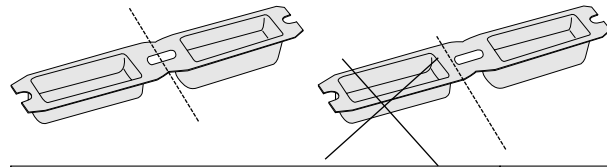
① **Striking plastic box**



Preparation

1. Cut as below

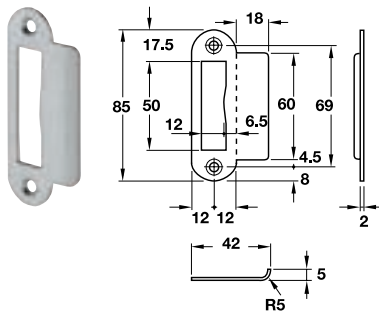
2. Keep only the deeper plastic box



Material/Finish	Article No.
Plastic white	911.76.060
Plastic black	911.76.061

Special Order

② **Striking plate**



Material Finish	Article No.
Stainless steel matt	911.39.322
Brass plated polished	911.39.323

Special Order

③ **Battery AA**



Note

A lithium battery has a service life of up to 7 times longer as an alkaline-manganese battery.

Type	Article No.
Alkaline-manganese battery 1.5V AA	910.54.980
Lithium battery 1.5V AA	910.54.940

Special Order

Order reference

For one door terminal set 4 pieces required.

Drilling jig



Features

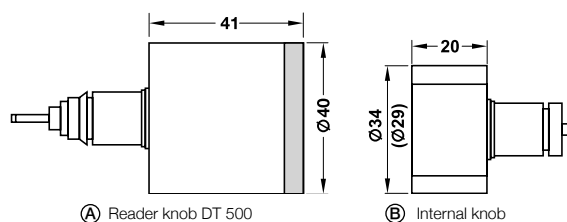
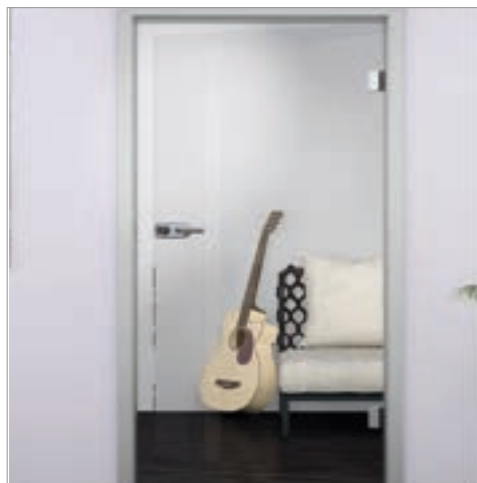
- Work preparation of wooden doors for mounting of DT 210/400 door terminal modules.

	Article No.
Drilling jig	917.90.006

Special Order

We reserve the right to alter specifications without notice (HIN Architectural Hardware 2015).

Electronic profile cylinder DT 500 Dialock



Features

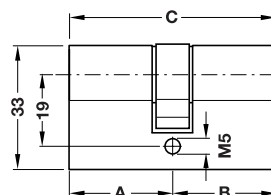
- Battery operated Duracell Ultra CR2
- Intelligent locking cylinder for indoor and outdoor use, for use with Euro profile locks in compliance with DIN 18251
- Cylinder has a modular design and can be equipped with access control on one or both sides
- Touchless activation with Dialock key
- Acoustic feedback when presenting the key
- Illuminated ring for status indication:
Green = opening, red = locking, white = idle state
- With real-time clock and logging of all processes
- Infrared interface in electronic profile cylinder for programming
- Suitable for DIN left and right

Technical data

- Suitable for door thickness: 40–90mm

Material/Finish

- Cylinder and knob housing brass nickel plated
- Front hard plastic

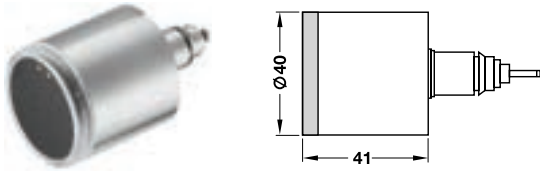


Note

For changing the DT 500 reader knob the disassembly card is required. For changing the battery, the battery replacement tool and battery card are required. Use, battery type Duracell Ultra CR2.

We reserve the right to alter specifications without notice (HIN Architectural Hardware 2015).

Ⓐ Reader knob DT 500



Technical data

- Battery life: Approx. 2 years with average frequency
- Relative humidity: 0 - 95 % (non-condensation)
- Ambient temperature: -25°C - +65°C
- Degree of protection: IP 64
- Profile cylinder lengths: 25/35-40/50
- Number of possible Diallock keys: 1,000
- Log entries: 500

Supplied with

- 1 Reader knob module DT 500
- 2 Batteries Duracell Ultra CR

Technology	Article No.
Tag-it™ ISO	917.53.010

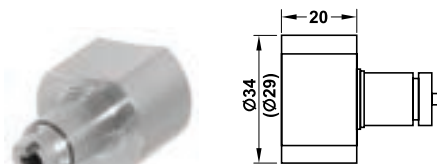
Special Order

Order reference

Please order internal knob and PC cylinder adapter separately.

2

Ⓑ Internal knob



Note

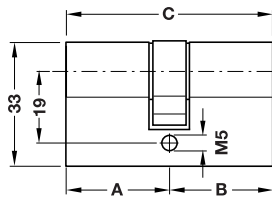
Disassembly is not possible.

Material/Finish	Diameter mm	Article No.
Brass stainless steel polished	29	917.93.306
	34	917.93.316

Special Order

We reserve the right to alter specifications without notice (HIN Architectural Hardware 2015).

© PC Cylinder adapter



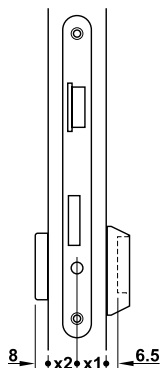
Material/Finish

- Brass nickel plated

Note

If dimension C is less than 60 mm, only 1 electronic set can be used with double cylinder adapter.

Calculation for determining the cylinder adapter



Length

External side: Dim. A = X1 + 6.5 mm

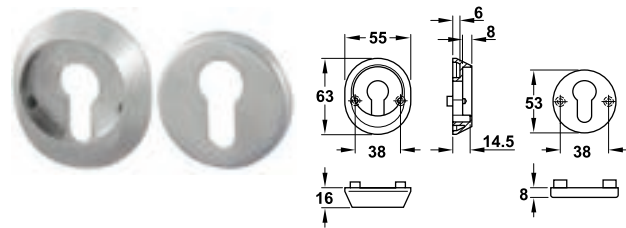
Internal side: Dim. B = X2 + 8.0 mm

Dim. A mm	Dim. C mm	Dim. C mm	Article No.
Double cylinder adapter			
25	35	60	917.93.203
30	30	60	917.93.207
	35	65	917.93.208
	45	75	917.93.210
	40	70	917.93.209
	50	80	917.93.211
35	35	70	917.93.213
	40	75	917.93.214
	45	80	917.93.215
40	40	80	917.93.218
	45	85	917.93.219
	50	90	917.93.220
Single cylinder adapter			
25	10	35	917.93.401
30		40	917.93.402
35		45	917.93.403
40		50	917.93.404
45		55	917.93.405
50		60	917.93.406

Special Order

④ Accessories for processing and installation

Security escutcheon DT 500



Material/Finish

- Stainless steel matt

Supplied with

- 1 Escutcheon outside DT 500
- 1 Escutcheon inside
- 2 Threaded screws M5 x 50

For door thickness mm	Article No.
40-45	917.93.380

Special Order

Threaded screw M5, raised head, self-locking

Screw length mm	For door thickness mm	Article No.
40	31-36	909.75.101
45	36-41	909.75.102
47	38-41	909.75.103
50	41-46	909.75.104
55	41-51	909.75.105
60	51-56	909.75.106
65	56-61	909.75.107
70	61-66	909.75.108
75	66-71	909.75.109
80	71-76	909.75.110

Special Order

Order reference

For other door thickness, please order different screws (2 pcs.).

Counter sunk screw M5 for PC cylinder in compliance with ISO 7046

Screw length mm	Article No.
40 (for narrow frame door)	909.70.340
80 (for backset 55 mm)	909.70.380

Special Order



We reserve the right to alter specifications without notice (HIN Architectural Hardware 2015).

E Maintenance tools and batteries



Version	Article No.
Battery CR2 3V lithium (2 pcs.)	910.54.960

Special Order

2

- For removing the knob housing when battery change is required

	Article No.
Battery replacement tool	917.93.390

Special Order



- External power supply for profile cylinder DT 500

	Article No.
Emergency power supply tool	917.93.391

Special Order

Order reference

Please order the 9V battery block (910.54.981) separately.

Supplied with

- Repair kit:
- 5 Couplings, right
 - 5 Couplings, left
 - 5 Sealing rings
 - 5 Stop slides
 - 10 Springs for stop slides
 - 5 Nuts
- Repair tool:
- 1 Mounting rod

Version	Article No.
Repair kit	917.93.392
Repair tool	917.93.393

Special Order

We reserve the right to alter specifications without notice (HIN Architectural Hardware 2015).

Battery card



Features

- For changing battery
- After pressing the battery card, the locking lugs on the knob housing can be pushed in with the battery replacement tool

Material

- Plastic

Supplied with

1 Battery card

Technology	Article No.
Tag-it™ ISO	917.43.090

Special Order



Disassembly card



Features

- For removing reader knob DT 500
- After pressing the disassembly card the reader knob DT 500 can be removed from the cylinder

Material

- Plastic

Supplied with

1 Disassembly card

Technology	Article No.
Tag-it™ ISO	917.43.091

Special Order

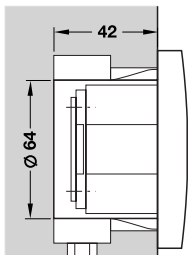
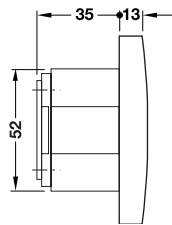
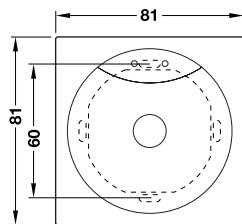
We reserve the right to alter specifications without notice (HIN Architectural Hardware 2015).

Wall terminal set WT 100 Dialock

2



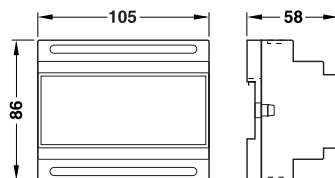
Wall reader



Required space for flush mounted box



Electronic control unit



Features

- For outdoor and indoor use, e.g. car park barriers, gates and any type of door equipment and furniture, lighting, alarm systems, video surveillance
- Red/green LEDs for indication of the activation status.
- Infrared interface in wall reader for programming
- With integrated real-time clock for programming time restricted locking authorisations (setting of time zones)
- Logging of all processes,
- With RS232 for optional networking via online sets
- With 4 input ports for analysing input signals (e.g. reed contact for door monitoring)
- Optional extension of functions by means of additional macro software Version

Material/Finish

- Wall reader housing plastic anthracite/silver coloured
- Electronic control unit housing plastic/light grey

Supplied with

- 1 Wall reader in standard design with frame
- 1 Electronic control with housing for hat rail installation

Technology	Article No.
Tag-it™ ISO	917.41.004

Special Order

We reserve the right to alter specifications without notice (HIN Architectural Hardware 2015).

Technical data

Wall reader	Protection class		IP65
	Ambient temperature (operation)		-20 – +70°C
	Power supply		Via electronic control unit
	Connection screw terminals mm ²		1.0
Electronic control unit	Protection class		IP20
	Ambient temperature (operation)		-20 – +70°C
	Power supply		9–40 V DC or 8–36 V AC
	Current input	Max. continuous current intake mA	150
		Max. peak current use mA	300
	Contact rating of relays	Max. voltage	60 V DC or 125 V AC
		Max. switching current (short-term) A	2.0
		Max. switching capacity	30 W or 60 VA
		Max. continuous current A	1.0
	Min. data storage in the event of a powerfailure years		10
	Relative humidity (non-condensating)		0–95%
Connection screw terminals mm ²		2.5	

2

Technical reference

- Connection between wall reader and electronic control unit with four core installation cables in compliance with VDE 0815: Type J-Y (St) Y 2 x 2 x 0.8 mm (twisted pair, shielded), max. length 35 m (Tag-it™ ISO),
- Please contact Dialock specialist for other lengths
- Installation of wall readers in flush mounted box, with 2 device fastening screws, with 15 mm distance (60 mm in compliance with DIN).
- Make sure the fastening points on the flush box are horizontal
- Minimum distance between 2 wall readers should be 250 mm
- Installation of wall reader in metal surroundings must be planned

We reserve the right to alter specifications without notice (HIN Architectural Hardware 2015).

Additional wall reader on opposite side

2



Technical reference

- When using an additional wall reader the total cable length of two wall readers should not exceed 35 m, (please contact our Dialock specialist for other lengths).
- Installation of wall readers in flush mounted box, with 2 device fastening screws, with 15 mm distance (60 mm in compliance with DIN)
- Make sure that the fastening points on the flush box are horizontal
- Minimum distance between 2 wall readers should be 250 mm
- Installation of wall reader in metal surroundings must be planned

Features

- Using with WT Wall terminal set WT 100
- Protection of door on both sides (inside and outside), with identical access authorisations.

Supplied with

1 Wall reader WT 100

1 Parameter card no.20 (for addressing the wall reader)

Technology	Article No.
Tag-it™ ISO	917.41.900

Special Order

We reserve the right to alter specifications without notice (HIN Architectural Hardware 2015).



We reserve the right to alter specifications without notice (HIN Architectural Hardware 2015).

2

Wall terminal set WT 100 MOT Dialock

2



Features

- For outdoor and indoor use:
 Wall terminal set WT 100 MOT for controlling lifts and lighting
 Wall terminal set WT 100 MOT for MLA 8 for controlling locker systems, equipment and furniture
- Tag-it™ ISO processor
- Red/green LEDs for indication of the activation status.
- Infrared interface in wall reader for programming
- With integrated real-time clock for programming time restricted locking authorisations (setting of time zones)
- Logging of all processes,
- With RS232 for optional networking via online sets
- With 4 input ports for analysing input signals
- Optional extension of functions by means of additional macro software

Material/Finish

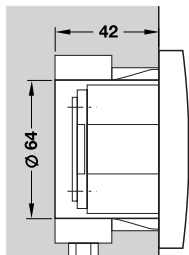
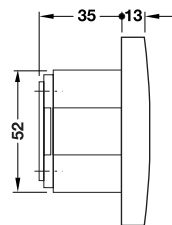
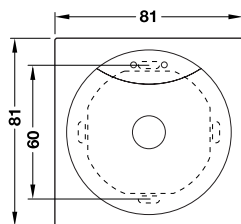
- Wall reader housing plastic anthracite/silver coloured
- Electronic control unit housing plastic/light grey

Supplied with

- 1 Wall reader in standard design with frame
- 1 Electronic control with housing for hat rail installation



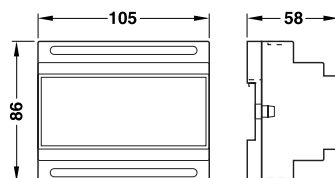
Wall reader



Required space for flush mounted box



Electronic control unit



Wall terminal set	Article No.
WT 100 MOT	917.41.142
WT 100 MOT for MLA 8	917.41.144

Special Order

Order reference

When using wall terminal set WT 100 MOT for MLA 8 a parameter card No. 89 (917.42.122) will be required.

We reserve the right to alter specifications without notice (HIN Architectural Hardware 2015).

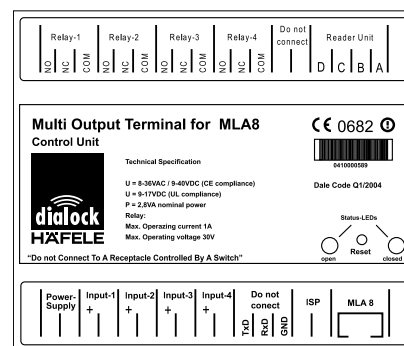
Technical data

Wall reader	Protection class		IP65
	Ambient temperature (operation)		-20 – +70°C
	Power supply		Via electronic control unit
	Connection screw terminals mm ²		1.0
Electronic control unit	Protection class		IP20
	Ambient temperature (operation)		-20 – +70°C
	Power supply		9–40 V DC or 8–36 V AC
	Current input	Max. continuous current intake mA	150
		Max. peak current use mA	300
	Contact rating of relays	Max. voltage	60 V DC or 125 V AC
		Max. switching current (short-term) A	2.0
		Max. switching capacity	30 W or 60 VA
		Max. continuous current A	1.0
	Min. data storage in the event of a powerfailure years		10
Relative humidity (non-condensating)		0–95%	
Connection screw terminals mm ²		2.5	



Technical reference

- Connection between wall reader and electronic control with four core installation cable in compliance with VDE 0815: Type J-Y (St) Y2x2x0.8 mm (twisted pair, shielded), max. length 35 m
- Please contact our Dialock specialist for other lengths
- Installation of wall readers in flush mounted box with 2 device fastening screws in 15 mm distance (60 mm in compliance with DIN)
- Make sure the fastening points on the flush box are horizontal
- Minimum distance between 2 wall readers should be 250 mm
- Installation of wall reader in metal surroundings must be planned
- Programming during standalone operation is not possible
- Planning by Dialock specialist is required
- EFL 3, EFL 6, FLC furniture locks can be connected to the MLA 8
- MLA 8R with relay output ports is usable for any electrical load, e.g. elevator



We reserve the right to alter specifications without notice (HIN Architectural Hardware 2015).

Wall terminal set WT 140 Gira Dialock

2



Features

- For outdoor and indoor use as car park barriers, gates and any type of doors
- Red/green LEDs for indication of the activation status
- Infrared interface in wall reader for programming
- With integrated real-time clock for programming time restricted locking authorisations (setting of time zones)
- Logging of all processes
- With RS232 for optional networking via online sets
- Optional extension of functions by means of additional macrosoftware
- Different combinations of frame with all available colors of Gira System 55
- Macros for function extension on request

Material/Finish

- Wall reader housing plastic anthracite/silver coloured
- Electronic control unit housing plastic/light grey

Supplied with

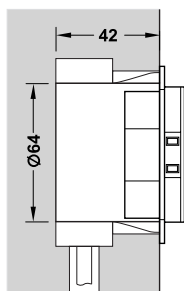
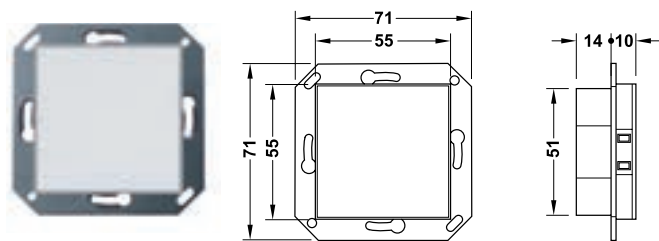
- 1 Wall reader WT 140 Gira without Gira frame
- 1 Electronic control with housing for hat rail installation



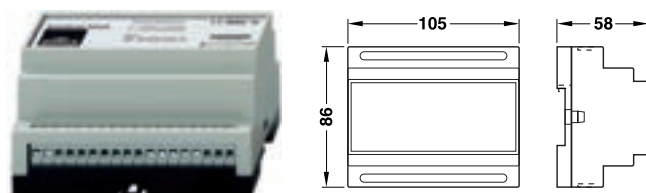
Design example:
 Wall reader with Gira Esprit black glass frame with optional information symbols for hotels

Technology	Article No.
Tag-it™ ISO	917.51.258

Special Order



Required space for flush mounted box



Electronic control unit

We reserve the right to alter specifications without notice (HIN Architectural Hardware 2015).

Technical data

Wall reader	Protection class		IP65
	Ambient temperature (operation)		-20 – +70°C
	Power supply		Via electronic contronuit
	Connection screw terminals mm ²		0.5
Electronic control unit	Protection class		IP20
	Ambient temperature (operation)		-20 – +70°C
	Power supply		9–40 V DC or 8–36 V AC
	Current input	Max. continuous current intake mA	150
		Max. peak current use mA	300
	Contact rating of relays	Max. voltage	60 V DC or 125 V AC
		Max. switching current (short-term) A	2.0
		Max. switching capacity	30 W or 60 VA
		Max. continous current A	1.0
	Min. data storage in the event of a power failure years		10
	Relative humidity (non-condensating)		0–95 %
Connection screw terminals mm ²		2.5	

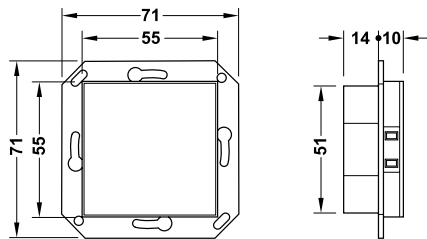
2

Technical reference

- Connection between wall reader and electronic control unit with four core installation cable in compliance with VDE 0815:
 Type J-Y (St) Y 2 x 2 x 0.8 mm (twisted pair, shielded), max. length 35 m (Tag-it™ ISO),
- Please contact Dialock specialist for other lengths
- Installation of wall readers in flush mounted box with 2 device fastening screws with 15 mm distance (60 mm in compliance with DIN).
- Make sure the fastening points on the flush box are horizontal
- Minimum distance between 2 wall readers should be 250 mm
- Installation of wall reader in metal surroundings must be planned

We reserve the right to alter specifications without notice (HIN Architectural Hardware 2015).

Additional wall reader on opposite side



2

Technical reference

- When using an additional wall reader the total cable length of two wall readers should not exceed 35 m
- Please contact our Dialock specialist with other lengths
- Installation of wall readers in flush mounted box, with 2 device fastening screws, with 15 mm distance (60 mm in compliance with DIN)
- Make sure the fastening points on the flush box are horizontal
- Minimum distance between 2 wall readers should be 250 mm
- Installation of wall reader in metal surroundings must be planned

Features

- Using with WT Wall terminal set WT 140 Gira
- Protection of door on both sides (inside and outside), with identical access authorisations.

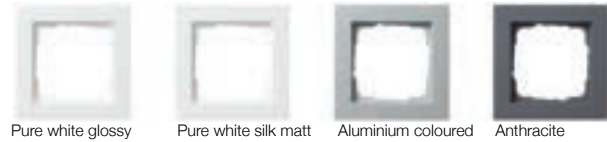
Supplied with

- 1 Wall reader WT 140 Gira
- 1 Parameter card no.20 (for addressing the wall reader)

Technology	Article No.
Tag-it™ ISO	917.41.960

Special Order

Gira frames System 55 – E2

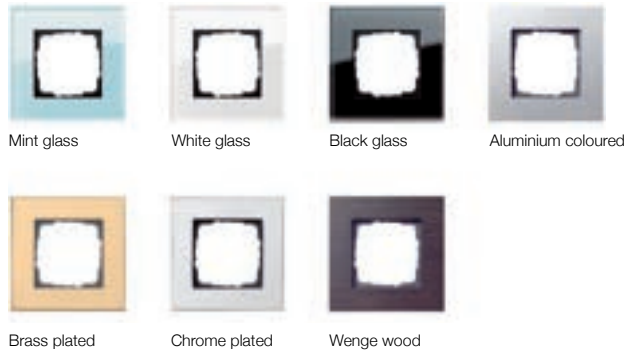


Colour	1-gang	2-gang
Pure white glossy	985.50.017	985.50.027
Pure white silk matt	985.50.016	985.50.026
Aluminium coloured	985.50.019	985.50.029
Anthracite	985.50.015	985.50.025

Special Order

We reserve the right to alter specifications without notice (HIN Architectural Hardware 2015).

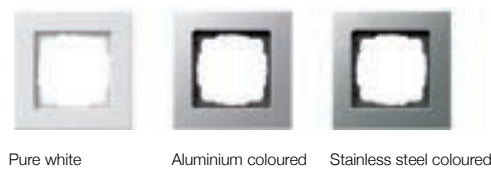
Gira frames System 55 – Esprit



Colour	1-gang	2-gang
Mint glass	912.08.610	912.08.620
White glass	912.08.617	912.08.627
Black glass	912.08.613	912.08.623
Aluminium coloured	912.08.619	912.08.629
Brass plated	912.08.615	912.08.625
Chrome plated	912.08.614	912.08.624
Wenge wood	912.08.616	912.08.626

Special Order

Gira frames System 55 – E22



E22	Colour	1-gang	2-gang
–	Pure white	985.52.317	985.52.327
	Aluminium coloured	985.52.319	985.52.329
	Stainless steel coloured	985.52.310	985.52.320
For flat installation	Pure white	985.52.017	985.52.027
	Aluminium coloured	985.52.019	985.52.029
	Stainless steel coloured	985.52.010	985.52.020

Special Order

Gira frames System S-Colour



Note

Only usable in combination with passive Gira energy control terminal ESS 140 Gira. Not suitable for wall terminal sets.

Colour	1-gang	2-gang
Pure white	985.50.117	985.50.127
Grey	985.50.115	985.50.125
Red	985.50.119	985.50.129
Blue	985.50.118	985.50.128
Black	985.50.113	985.50.123

Special Order

Gira frames System TX_44



Colour	1-gang	2-gang
Pure white	912.08.117	912.08.127
Grey	912.08.115	912.08.125
Red	912.08.119	912.08.129

Special Order

We reserve the right to alter specifications without notice (HIN Architectural Hardware 2015).

Sealing flange for rocker switches



Functionality

- In conjunction with System TX_44 frame and insert, a wide range of rocker switches is suitable for water-protected flush-mounted installation (protection class IP44)

Colour	Article No.
White	917.91.290

Special Order

Insert for System TX_44 1-gang cover frame



Pure white

Colour	Article No.
Pure white	917.91.267
Anthracite	917.91.265
Aluminium coloured	917.91.269

Special Order

Accessories for Gira cover frame

Surface mounted housing with cover frame



Cream white glossy



Pure white glossy

Note

Suitable for wall terminal set WT 140 Gira.

Colour	1-gang	2-gang
Cream white glossy	985.50.214	985.50.224
Pure white glossy	985.50.217	985.50.227

Special Order

Accessories for Gira cover frame

2-way rocker switch for room status indication in hotels



Functionality

- Room status indicator "Do not disturb" and "Make up room"
- With interlock to prevent simultaneous switching

Colour	Article No.
Cream white glossy	985.50.304
Pure white glossy	985.50.307
Pure white silk matt	985.50.306
Anthracite	985.50.305
Aluminium coloured	985.50.309

Special Order

Mounting box Profile 55

Colour	1-gang	2-gang
Pure white	985.50.417	985.50.427
Aluminium coloured	985.50.419	985.50.429

Special Order

We reserve the right to alter specifications without notice (HIN Architectural Hardware 2015).

Accessories for Gira cover frame

Room status indicator in hotels



Technical data	
Voltage supply	230 V AC, 50 Hz
Protection class	IP20
Operating temperature	-15 – +40°C

Function

- With green and red 230 V LED, marking and pictogram
- “Do not disturb” (red) and “Make up room” (green) indicators
- Each half can be controlled separately, e.g. via series switch
- Installation: In deep flush box in compliance with DIN 49073

Colour	Article No.
Cream white glossy	985.50.324
Pure white glossy	985.50.327
Pure white silk matt	985.50.326
Anthracite	985.50.325
Aluminium coloured	985.50.329

Special Order

Room status indicator in hotels



Technical data		
Voltage supply	230 V AC, 50 Hz	
Protection class	IP20	
Power consumption	1.0 W/5.6 VA	
Luminosity	Red	0.1 cd
	Green	0.3 cd
Operating temperature	-15 – +40°C	

Function

- Simple LED signalling for e.g. treatment rooms, conference or hotel rooms
- Homogeneously illuminated area, divided into a red (top) and green (bottom) area
- Each half can be controlled separately, e.g. via series switch

Supplied with

- 1 Room status indicator in hotels
- 1 Label "Bitte warten"/"Bitte eintreten"
- 1 Label "Do not disturb"/"Make up room"

	Article No.
Room status indicator in hotels	985.50.310

Special Order

2

We reserve the right to alter specifications without notice (HIN Architectural Hardware 2015).

Wall terminal set WT 500 Dialock

2



Entrance wall reader WRU 500



Internal module WRU 501

Wall terminal set

Version 1:

Basic version with entrance wall reader WRU 500

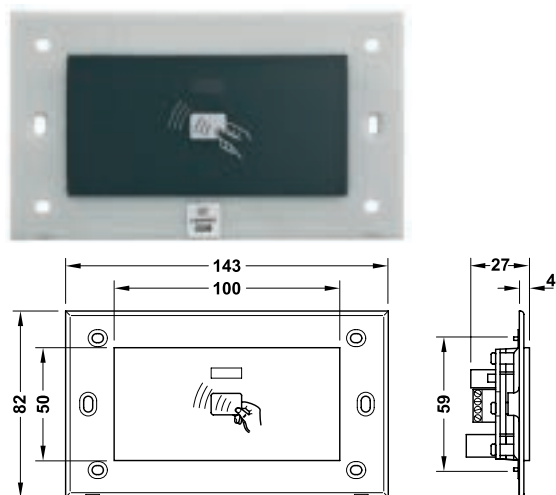
- For opening guest room doors, the touch sensitive push button surface can also be used as door bell or buzzer, for example (optional).
- Consists of: Entrance wall reader WRU 500, electronic control unit WTC 100, front frame (colour can be coordinated) and flush mounted box

Version 2:

Comfort version with entrance wall reader WRU 500 and internal module WRU 501 is the same as version 1 but additional illuminated symbols can be controlled from inside ("Please clean room", "Do not disturb"), symbols visible from inside and outside, energy control terminal for controlling electric circuits and switching devices in the guest room.

Consists of: Entrance wall reader WRU 500, internal module WRU 501, electronic control unit WTC 500, front frame (colour can be coordinated) and flush mounted boxes

Entrance wall reader WRU 500



Features

- Intelligent reader for interior guest doors in the corridor, activated by Tag-IT™ card.
- Display of the locking and unlocking with LEDs red / green
- Engage the mortise lock and disengaged after 10 s automatically
- For service personnel, indicate the programming status
- Infrared interface for programming
- In combination with internal module WRU 501: Display of illuminated symbols "Please clean up" and "Do not disturb"
- Customized icons and logos available

Technical data

- Protection class: IP 20
- Power supply: 12–24 V DC
- Spring clip terminal connection: 0.5 mm²

Technical reference

- Electronic control unit WTC 100 for wall reader WRU 500, electronic control unit WTC 500 for wall reader WRU 500 and internal module WRU 501
- Connection between wall reader and electronic control unit with four core installation cable in compliance with VDE 0815: Type J-Y (St) Y 2x2x0.8 mm (twisted pair, shielded), max. length 35 m (Tag-it™-ISO)
- Please contact Dialock specialist with other lengths
- Installation of wall readers in flush mounted box (134 x 74 mm) with 2 screws.
- Please make sure fastening points on the flush box are horizontal
- Installation of wall reader in metal surroundings must be planned

Material/Colour	Article No.
Housing of the reader plastic black	917.41.970

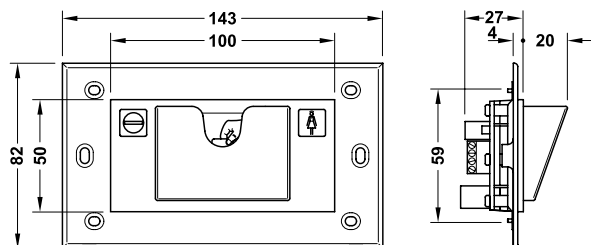
Special Order

We reserve the right to alter specifications without notice (HIN Architectural Hardware 2015).

2

Internal module WRU 501

2



Features

- Intelligent reader for interior guest doors in the corridor, activated by Tag-IT™ card
- Display of the locking and unlocking with LEDs red / green
- Engage the mortise lock and disengaged after 10 s automatically
- For service personnel, indicate the programming status
- Infrared interface for programming
- In combination with internal module WRU 501: Display of illuminated symbols "Please clean up" and "Do not disturb"
- Customized icons and logos available

Technical data

- Protection class: IP 20
- Power supply: 12–24 V DC
- Spring clip terminals connection: 0.5 mm²

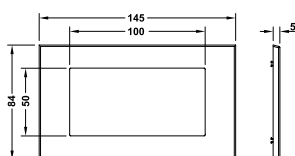
Technical reference

- Electronic control unit WTC 100 for wall reader WRU 500, electronic control unit WTC 500 for wall reader WRU 500 and internal module WRU 501
- Connection between wall reader and electronic control unit with four core installation cable in compliance with VDE 0815: Type J-Y (St) Y 2x2x0.8 mm (twisted pair, shielded), max. length 35 m (Tag-it™-ISO)
- Please contact Dialock specialist with other lengths
- Installation of wall readers in flush mounted box (134 x 74 mm) with 2 screws.
- Please make sure fastening points on the flush box are horizontal
- Installation of wall reader in metal surroundings must be planned

Material/Colour	Article No.
Housing of the reader plastic black	917.41.980

Special Order

Front frame for entrance reader WRU 500 and internal module WRU 501



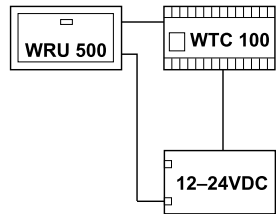
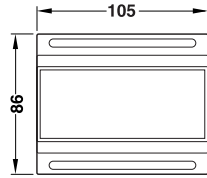
- Installation: For clipping

Material/Finish	Article No.
Plastic stainless steel coloured matt	917.91.310
Plastic brass coloured polished	917.91.318
Plastic chrome coloured polished	917.91.312

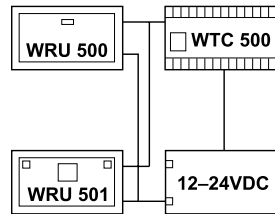
Special Order

We reserve the right to alter specifications without notice (HIN Architectural Hardware 2015).

Electronic control unit WTC 100/500



Schematic for WTC 100



Schematic for WTC 500

Features

- Electronic control unit WTC 100: To control the entrance wall reader WRU 500
- Electronic control unit WTC 500: To control the combination of entrance wall reader WRU 500 and internal module WRU 501
- With built-in clock for programming time-limited access rights (division of time zones)
- With logging of all processes
- With 4 inputs for the evaluation of the input signals, e.g. read contact for door monitoring
- With serial interface RS 232 for optional networking via online sets
- Installation: For mounting on DIN rail

2

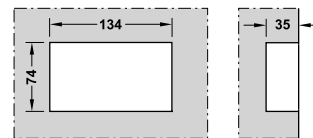
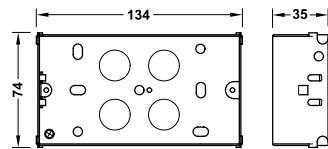
Material/Colour	WTC 100	WTC 500
Housing plastic light grey	917.91.064	917.91.069

Special Order

Technical data

Protection class		IP20
Ambient temperature (operation)		-20 – +70°C
Power supply		9–40 V DC or 8–36 V AC
Current input	Max. continuous current intake mA	150
	Max. peak current use mA	450
Contact rating of relays	Max. voltage	60 V DC or 125 V AC
	Max. switching current (short-term) A	2.0
	Max. switching capacity	30 W or 60 VA
	Max. continuous current A	1.0
Min. data storage in the event of a powerfailure years		10
Relative humidity (non-condensating)		0–95%
Connection screw terminals mm ²		2.5

Wall mounting box

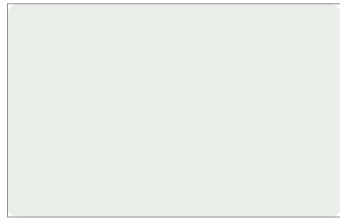


Material/Finish	Article No.
Steel galvanized	917.91.025

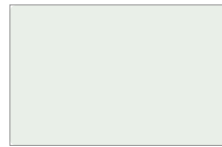
Special Order

We reserve the right to alter specifications without notice (HIN Architectural Hardware 2015).

KC Key card



Blank card



Version	Article No.
Blank card	917.44.037

Special Order



Two-side printed card



Version	Article No.
Two-side printed card	917.44.020

Special Order

Features

- Electronic key for Diallock:
 - 4 independent locking authorisations per key card (blank card),
 - 3 independent locking authorisations per key card (two-sided print)
- Tag-it™ ISO technology wear and tear free (contactless data transfer), maintenance free (without batteries), insensitive to external influences such as wetness, moisture, magnetic fields, mechanical vibrations, dust, reprogrammable at least 100,000 times, forgery-proof unique number
- Ambient temperature (operation): -35 to +50°C
- Min. data storage: 10 years
- Size: 54 x 85 mm (credit card format)
- Material/colour: Plastic white



Version	Article No.
Sample card with customer design	917.44.063

Special Order



Version	Article No.
Key card with customer design (Min. order quantity 200 pcs.)	On request

Special Order


We reserve the right to alter specifications without notice (HIN Architectural Hardware 2015).

Key tag KT



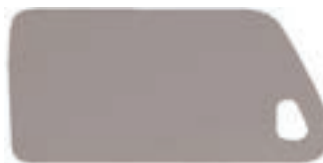
Features

- Electronic key for Dialock as key tag:
 4 Independent locking authorisations per key tag
- Tag-it™ ISO technology, waterproofed
- Ambient temperature (operation): -35 to +50°C
- Min. data storage: 10 years
- Material: Plastic

	Colour	Article No.
	Red	917.44.099
	Blue	917.44.098

Special Order

Key fob KT



Features

- Electronic key for Dialock as key fob
 4 Independent locking authorisations per key fob
- Tag-it™ ISO technology, wear and tear free (contactless data transfer), maintenance free (without batteries) insensitive to external influences such as wetness, moisture, magnetic fields, mechanical vibrations, dust, forgery-proof unique number
- Ambient temperature (operation): -35 to +50°C
- Min. data storage: 10 years
- Dimensions: 28 x 56 x 1.7 mm

	Colour	Article No.
	Grey	917.44.085
	White	917.44.087
	Green	917.44.080
	Red	917.44.081
	Orange	917.44.089

Special Order

Order reference

Customized imprint available on request.

2







We reserve the right to alter specifications without notice (HIN Architectural Hardware 2015).

Key tag KT



Features

- Electronic key for Diallock as key tag:
4 independent locking authorisations per key tag
- Tag-it™ ISO technology
- Solid and impact resistant polycarbonate, ultrasound welded and waterproof with stainless steel frame
- Loop can't break off anymore - unlike as other commercially available key tags.
- Optinal marking: Laser engraved numbers or text/logo possible
- Ambient temperature (operation): -35 to +50°C
- Min. data storage: 10 years
- Dimension: 36 x 7.2 mm







	Colour	Article No.
	White	917.44.107
	Black	917.44.103
	Light blue	917.44.105
	Red	917.44.109
	Blue	917.44.108
	Orange	917.44.101

Special Order



Features

- Electronic key for Diallock as key tag:
4 independent locking authorisations per key tag
- Tag-it™ ISO technology
- Solid and impact resistant polycarbonate, ultrasound welded and waterproof with stainless steel frame
- Ambient temperature(operation): -35 to +50°C
- Min. data storage: 10 years
- Dimension: 36 x 5.3 mm

	Colour	Article No.
	White	917.44.147
	Black	917.44.143
	Grey	917.44.145
	Red	917.44.149
	Blue	917.44.148
	Orange	917.44.141

Special Order



Order reference

Printed text or photo/graphic available on request.
 (template with min. 300 dpi is required)

We reserve the right to alter specifications without notice (HIN Architectural Hardware 2015).

Programming key card Dialock



Features

- For granting access authorisations without software and programming station
- For small projects with few Tag-it™ keys

Material	Article No.
Plastic	917.42.001

Special Order

Clearing key card Dialock



Features

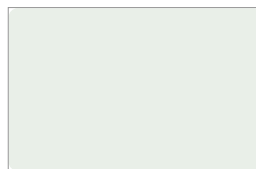
- For deleting access authorisations without software and programming station
- For small projects with few Tag-it™ keys

Material	Article No.
Plastic	917.42.002

Special Order

We reserve the right to alter specifications without notice (HIN Architectural Hardware 2015).

Key card Mifare



Blank card



Printed card



Key card with customer design

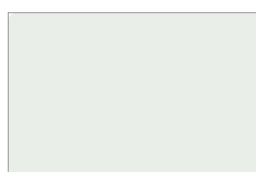
Features

- Thickness: 0.8 mm

Version	Article No.
Blank card Mifare	917.80.738
Printing card Mifare	917.80.710
Sample card with customer design Mifare	917.64.063
Key card with individual customer design Mifare (Min. order quantity 200 pcs.)	On request

Special Order

Key card EM



-Thickness 0.8 mm
 (Width x length: 54 x 85 mm)



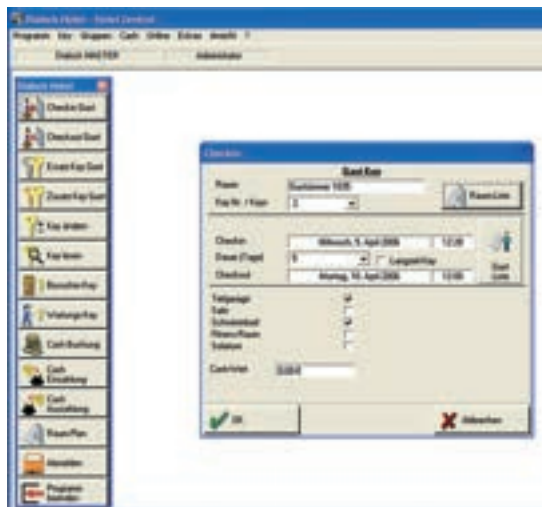
Thickness 1.8 mm
 (Width x length: 54 x 85 mm)

Version	Thickness mm	Article No.
Blank card EM	0.8	912.05.052
	1.8	912.05.053

Special Order

2

Software Hotel SH+ Dialock



- System requirement: Windows 2000/XP/Vista/Win 7
 40 MB free hard disk space, CD-ROM drive, 2 x USB

Features

- For hotels, resorts, inns and guest houses
- Easy and clearly arranged administration and allocation of Dialock guest and personnel keys for hotels.
- Defining guest groups, for fast check-in/check-out of guest groups, automatic compilation of room lists.
- Defining group locking authorisations for groups with identical locking authorisations.
- Defining time zones for restriction of locking authorisations to days and times of choice.
- Automatic graphical display of locking authorisations of the actual locking plan including locking authorisations of all keys.
- Search for personnel keys and rooms with convenient search function.
- Printing search results is possible
- Language: English

	Article No.
Software Hotel SH+	910.52.162

Special Order

Software interface universal HMS Dialock

Features

- For linking the Dialock system to hotel management systems
- Guest keys can be allocated using the application of the hotel management system.

Vesion	Article No.
Without restrictions	917.92.031
Up to 50 doors	917.92.034

Special Order

Software online module TCP/IP Dialock

Features

- Dialock wall terminals can be configured, controlled and monitored through one network via online set ND 100 using this module

	Article No.
Software online module TCP/IP	917.92.040

Special Order

We reserve the right to alter specifications without notice (HIN Architectural Hardware 2015).

Online monitor software Dialock



Features

- Programme for displaying status and events

	Article No.
Online monitor software Dialock	917.92.041

Special Order

List generator and online macros

Features

- Creation of customized lists such as door lists, alarm lists, door status lists "Please do not disturb"/"Please make up room" lists (hotel application).
- Lists are displayed on the PC screen
- Online macros activates additional functions, e.g. controlling light switches or barriers

	Article No.
List generator and online macros	917.92.043

Special Order

Activation of an additional encoding station

Feature

- For every additional encoding station used with interface HMS, must be activated if more than one encoding station is used

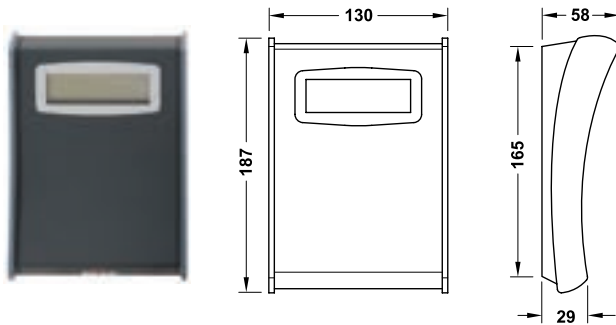
	Article No.
Activation of an additional encoding station	917.92.032

Special Order

2

We reserve the right to alter specifications without notice (HIN Architectural Hardware 2015).

Encoding station ES 100 Dialock



2

Features

- For encoding Dialock keys in combination with Dialock software or for integration into external software (hotel management systems)
- For indoor use
- Display 4 x 20 characters
- With USB interface for connection with the computer
- Infrared interface for transferring data to the Dialock MDU 100 mobile data unit

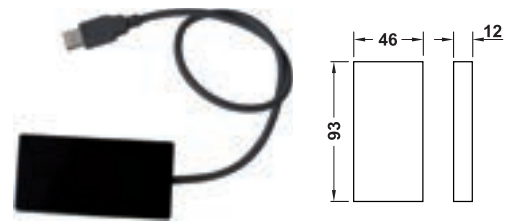
Supplied with

- 1 Encoding station ES 100
- 1 Master key
- 1 USB cable A/B, 2 m

Material/Finish	Article No.
Housing plastic silver coloured/grey	917.42.015

Special Order

Encoding station ES 100 Mini Dialock



Features

- For encoding Dialock keys in combination with Dialock software or for integration into external software (hotel management systems)
- For indoor use
- With USB interface for connection with the computer

Supplied with

- 1 Encoding station ES 100 Mini
- 1 Master key
- 1 USB cable, 150 mm
- 1 USB extension cable, 1.80 m

Material/Finish	Article No.
Housing plastic black	917.42.017

Special Order

We reserve the right to alter specifications without notice (HIN Architectural Hardware 2015).

Mobile data unit MDU 100 Dialock



Features

- Fast and convenient configuration and integration of the individual components into the Dialock locking system
- Transfer of all data and settings which were set with the Dialock software
- Polling access logs at the terminal
- Infrared and wired interface for communication between MDU and components
- Menu: English and German
- Voltage supply: Accu batteries with USB charging cable
- Weight incl. accu batteries: approx. 500 g
- Display: 128 x 64 pixels
- Data transfer in combination with software and encoding station

Supplied with

- 1 Mobile data unit MDU 100
- 1 Transponder(as card)
- 1 USB cable 1.5 m for connection between MDU 100 and PC

	Article No.
Mobile data unit MDU 100	917.42.141

Special Order

2

Programming cable for MDU 100

Feature

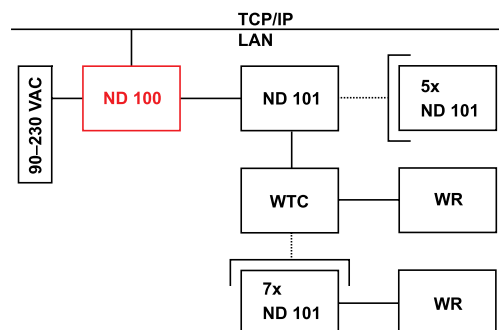
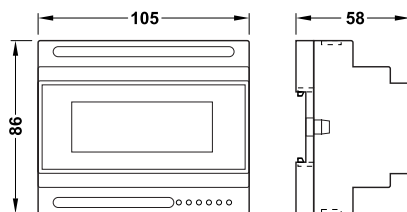
- Cable for connection between MDU 100 and terminals

Version		Article No.
	Programming cable for LockerLock LL 100	917.90.265
	Programming cable for FT 120	917.90.267

Special Order

We reserve the right to alter specifications without notice (HIN Architectural Hardware 2015).

Online adapter ND 100 Dialock



2

Example of calculation

Network of wall terminal WT 30 sets are required:

1 Online adapter ND 100

4 Online extensions ND 101

30 Wall terminals WT

(consisting of readers WR and electronic control unit WT)

Features

- For networking several wall terminal sets over TCP/IP with PC and Encoding station ES for central controllable and efficient online access control system, configuration of all connected wall terminals WT
- Update the access permissions of Diallock keys without time delay
- Reading the event logs (logging all access attempts and closing operations)
- Installation and troubleshooting of the online system via web browser
- Integration of branches or offices, remote over WAN or LAN connection in conjunction with Online module TCP / IP software
- Combination with online extension ND 101 only
- Central operation with Software Hotel SH+ and Online module TCP/IP software additionally

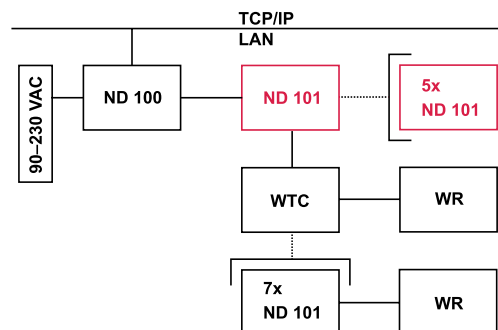
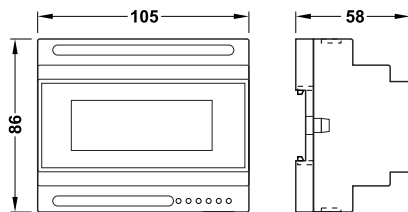
Protection class	IP20	
Ambient temperature (operation)	-20 – +65°C	
Power supply V DC	10–28	
Max. current input mA	150	
Connection	RS 232	Screw terminals 2.5 mm ²
	TCP/IP	CAT 5 cable with RJ 45, length up to 100 m
	RS 485 and TTL	Not useable
Relative humidity (non-condensating)	0–95%	
Mounting	On DIN rail EN 50022	

	Article No.
Online adapter ND 100	910.51.132

Special Order

We reserve the right to alter specifications without notice (HIN Architectural Hardware 2015).

Online extension ND 101 Dialock



2

Example of calculation

Network of wall terminal WT 30 sets are required:

1 Online adapter ND 100

4 Online extensions ND 101

30 Wall terminals WT

(consisting of readers WR and electronic control unit WT)

Features

- For networking several wall terminal sets over TCP/IP with PC and encoding station ES for central controllable and efficient online access control system, configuration of all connected wall terminals WT
- Update the access permissions of Dialock keys without time delay
- Reading the event logs (logging all access attempts and closing operations)
- Installation and troubleshooting of the online system via web browser
- Integration of branches or offices, remote over WAN or LAN connection in conjunction with online module TCP/IP software
- Combination with online extension ND 101 only
- Central operation with Software Hotel SH+ and online module TCP/IP software additionally

Protection class	IP20	
Ambient temperature (operation)	-20 – +65°C	
Power supply V DC	10–28	
Max. current input mA	150	
Connection	8 x RS 232	Screw terminals 2.5 mm ² , for electronic control unit
	2 x RS 232	Screw terminals 2.5 mm ² , for online adapter ND 100 and online extension ND 101
Relative humidity (non-condensating)	0–95%	
Mounting	On DIN rail EN 50022	

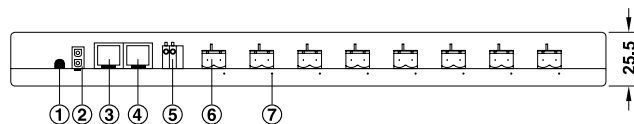
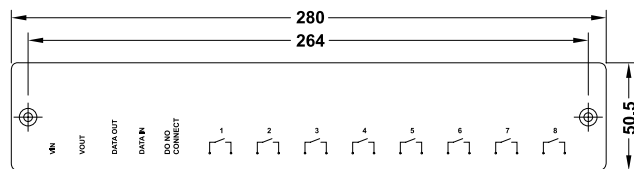
	Article No.
Online extension ND 101	910.51.135

Special Order

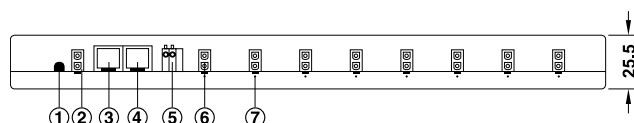
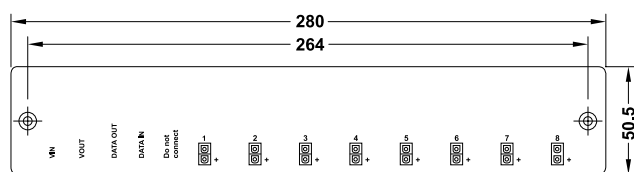
We reserve the right to alter specifications without notice (HIN Architectural Hardware 2015).

Electronic output extender OE 200 Dialock

2



Output extender with 8 relay output ports



Output extender with 8 open collector output ports

- ① V_{in} (power supply)
- ② V_{out} (output voltage)
- ③ $Data_{out}$ (to OE 200)
- ④ $Data_{in}$ (from Terminals)
- ⑤ Do not connect
- ⑥ For the output extender OE 200 with 8 relay output ports:
 MSTB connector 1-8 (to relay)
 No output (normally open)
 For the output extender OE 200 with 8 open collector output ports:
 AMP connector 1-8 (to EFL)
- ⑦ ED 1-8 (indicator light)

Features

- For PO box systems, central pharmacy systems, lift controls
- 1 Electronic output extender OE 200 controls max. 8 electrical devices independently
- 128 electrical devices controls independently by connection max. 16 electronic output extenders OE 200
- Voltage supply: 9.6–14.4 V DC
- Rate of output: 24 V DC max. 1 A/125 V AC max. 500 mA (with 8 relay output ports) 12 V DC max. 500 mA per output port and max. 1,000 mA total (with 8 open collector output ports)
- Material: Plastic housing
- Colour: Housing light grey, power and data cable black

Supplied with

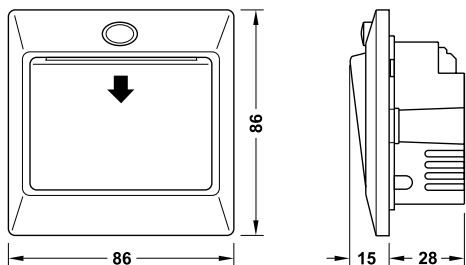
- 1 Electronic output extender OE 200 with main lead 500 mm
- 1 Data cable 500 mm
- 8 MSTB plugs 2.5/2-ST (only for 910.51.086)

Version	Article No.
Output extender OE 200 with 8 relay output ports	910.51.086
Output extender OE 200 with 8 open collector output ports	910.51.087

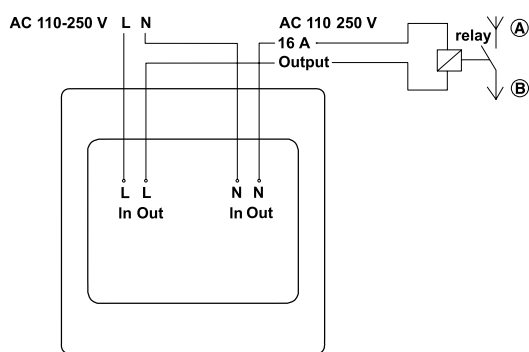
Special Order

We reserve the right to alter specifications without notice (HIN Architectural Hardware 2015).

Energy control terminal



Circuit diagram



A Power supply

B Electrical load

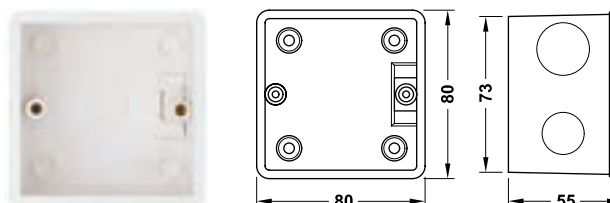
Features

- For indoor use:
 Particularly suitable for use in hotels to activate electrical loads in guest rooms such as lighting, TV, sockets, air conditioning
- Activation as long as a transponder card is inserted in the hold of the energy control terminal
- Deactivation after a key card is taken out 15 seconds
- With red LED
- Output current: 30 A max. 110/220 V AC 50/60 Hz,
 (16 A max. if electrical load consists of induction load)
- Max. total power consumption: 6,600 W
- Max. internal power consumption: 0.2 W
- Service life: Min. 100,000 opening cycles
- Operating temperature: -10 – +60°C
- Plastic housing

Technology/types of key card	Colour	Article No.
Tag-it™ ISO Dialock	White	917.41.082
	Silver coloured	917.41.083
Mifare	White	917.61.082
	Silver coloured	917.61.083

Special Order

Flush mounted box for energy control terminal



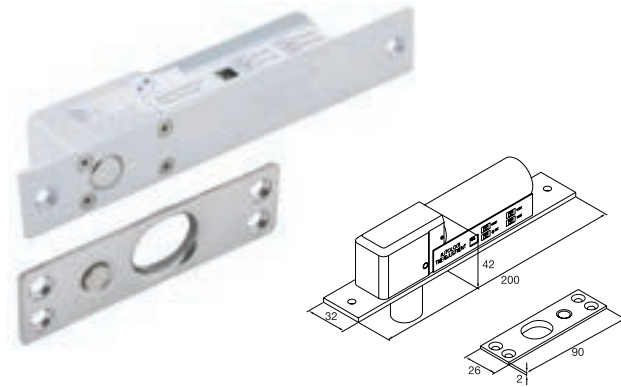
Material/Colour	Article No.
Plastic white	917.91.001

Special Order

We reserve the right to alter specifications without notice (HIN Architectural Hardware 2015).

Electronic drop bolt

2



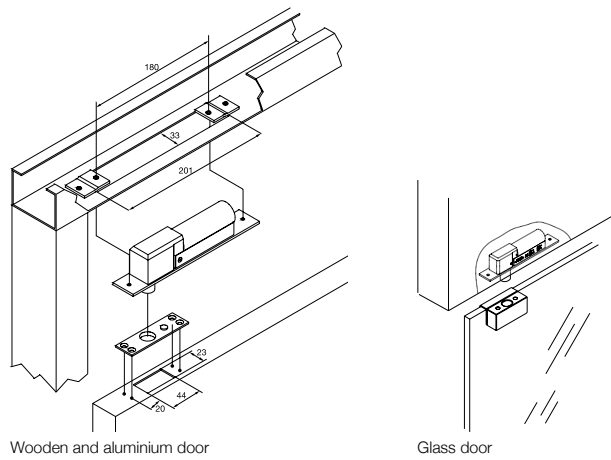
Features

- Adjustable delay time 0, 2.5, 5, 9 seconds
- Fail-safe (fail-unlocked)
- Door position monitor (N.O. and N.C.)
- Power voltage: 12 V DC
- Operation current: 900 mA
- Holding current: 360 mA
- Stainless steel

Version	Article No.
For single/double swing direction	912.05.031

Special Order

Installation



Wooden and aluminium door

Glass door

Order reference

Please order bracket for glass door separately

Glass bracket



Feature

- Without glass cutting (rubber/steel plate for strong holding)
- Dimension: 90 x 27 x 40 mm
- Weight: 300 g

For glass panel, glass thickness mm	Article No.
9-12	912.05.039

Special Order

We reserve the right to alter specifications without notice (HIN Architectural Hardware 2015).

Electromagnetic lock

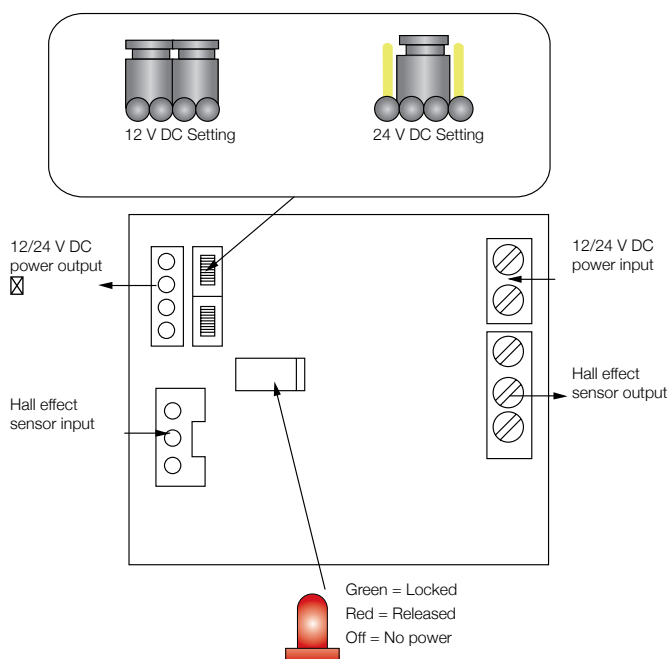


Features

- Holding force: 600 lbs (227 kg)
- Dual voltage selectable: 12 V DC or 24 V DC
- Current draw: 12 V DC/500 mA or 24 V DC/250 mA
- Dim. magnet (L x W x T): 250 x 42 x 25 mm
- Dim. armature plate (L x W x T): 180 x 38 x 11 mm
- Green/red LED indication for lock status
- Full range of optional brackets
- Material: Magnet casting aluminium anodized, armature plate steel

2

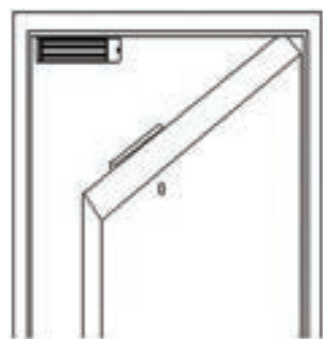
Voltage selection method



Version	Article No.
Electromagnetic lock	912.05.035
Electromagnetic lock with LZ bracket	912.05.041

Special Order


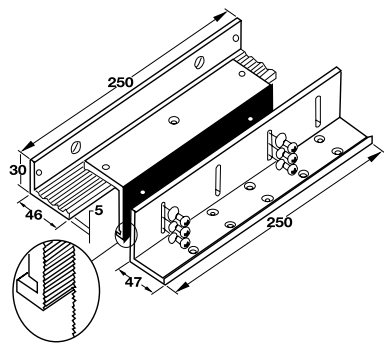
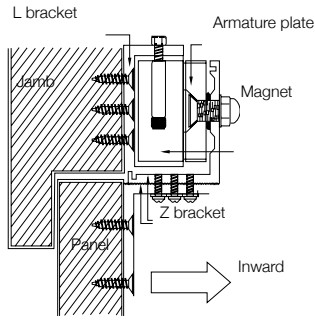

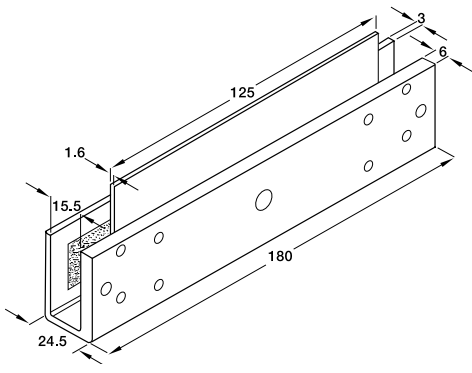
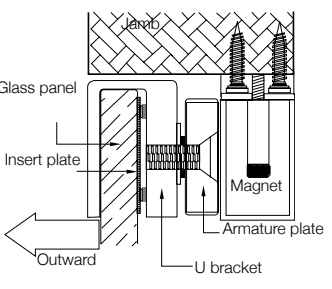

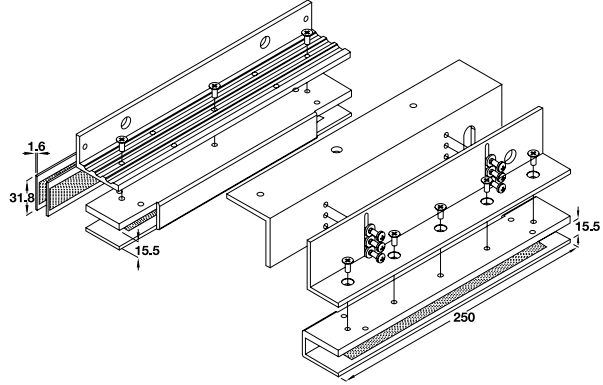
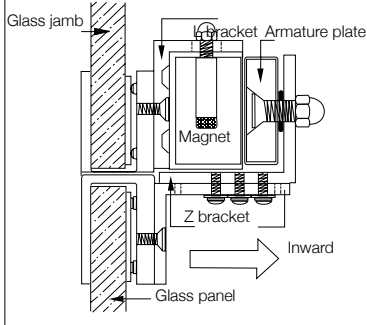
Installation





We reserve the right to alter specifications without notice (HIN Architectural Hardware 2015).

Bracket for electromagnetic lock Article. No. 912.05.035

2

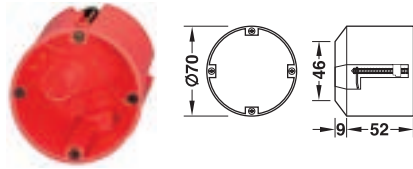
Bracket	Dimension	Installation
		
		
		

Version		Door type		Opening direction	Article No.
		Panel	Jamb		
	LZ bracket, aluminium	Wood/aluminium	Wood/aluminium	Inward opening	912.05.036
	U bracket, aluminium	Glass	Wood/aluminium	Outward opening	912.05.037
	DSU bracket, aluminium	Glass	Glass	Inward opening	912.05.038

Special Order

We reserve the right to alter specifications without notice (HIN Architectural Hardware 2015).

Reader box



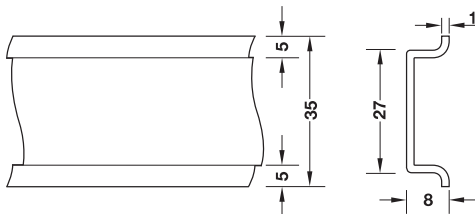
Features

- For drill hole diameter: 68 mm
- For plate thickness: 7–35 mm

Material/Colour	Article No.
Plastic orange	917.91.012

Special Order

Hat rail



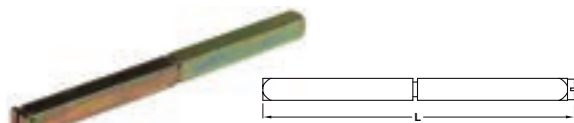
Features

- Standard: In compliance with EN 50 022
- Length: 2,000 mm

Material/Finish	Article No.
Steel yellow chromated	917.91.024

Special Order

Spindle 8 mm, split in center



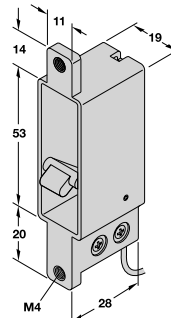
Length L mm	Article No.
100	909.00.270
118	909.83.711

Special Order

Note

Not suitable for anti-panic doors in compliance with EN179:2008-04.
 Cat.No. 909.00.270 not usable with mortise lock with split follower.

Bolt switching contact 875-10



Features

- Switches when the lock bolt is extending
- Version: Change-over contact, waterproof
- Installation: With M 4 screws, installation behind existing striking plate, min. dimension for bolt throw = response distance of bolt switching contact + air gap.
- Max. contact voltage: 25 V
- Max. switching current: 1.5 A
- Connecting cable length: 4 m
- Max. contact travel: 18 mm
- Response distance: Approx. 4 mm

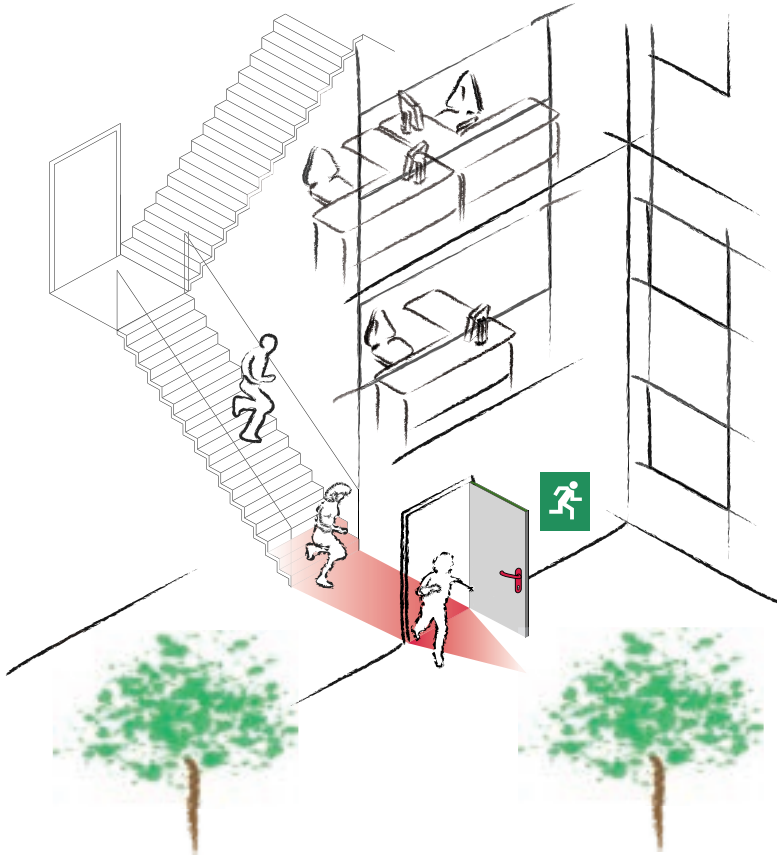
Material/Finish	Article No.
Housing zinc alloy	912.02.093

Special Order

We reserve the right to alter specifications without notice (HIN Architectural Hardware 2015).

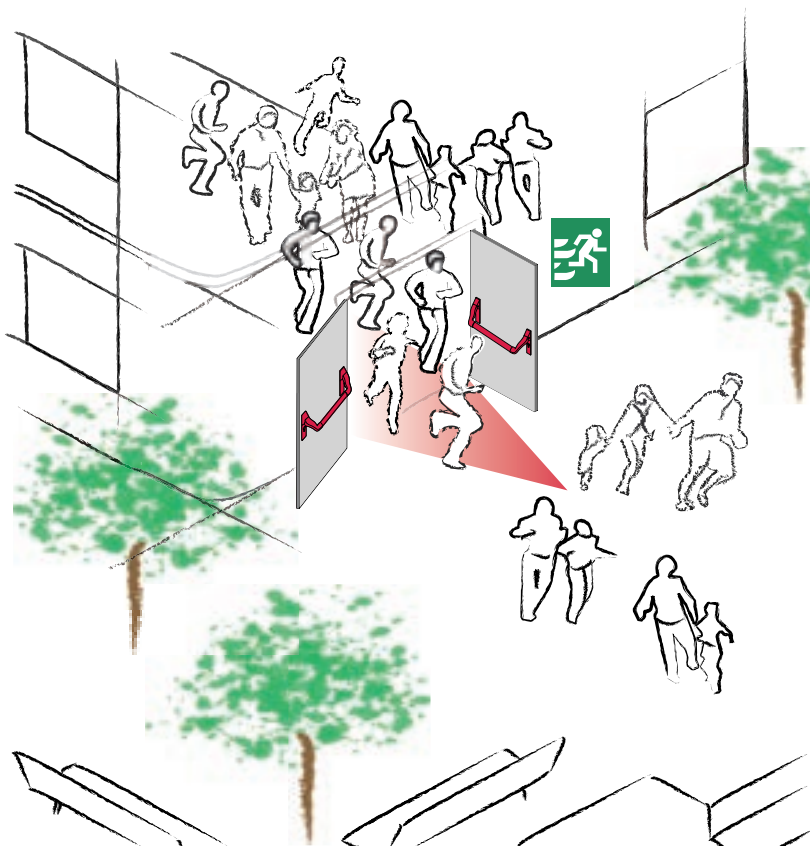
Emergency exit device EN 179

2



A standard cover device has to be used in emergency situations if people are familiar with the emergency exit as well as the hardware. In this situation a panic is most unlikely to develop. Lever handle operated escape mortise locks or push pads may be used in such situations.

Panic exit device EN 1125



A standard cover device has to be used in panic situations if people are not familiar with the emergency exit as well as the hardware, but must be able to open the hardware intuitively. A horizontal operated touch bar is to be used in such situations.

We reserve the right to alter specifications without notice (HIN Architectural Hardware 2015).

Panic exit device: StarTec

- Area of application: For rebated or flush, single or couple wooden or steel doors
- Suitable for emergency exit door
- Door width: 840–914 mm
- Door thickness: 40–75 mm
- Suitable for DIN left and DIN right hand UL listed for ANSI A 156.3

Function

- Opening of door from inside: by pushing the touchbar
- Opening of door from outside(optional): by activating lever handle and key to lock or unlock

Product components for single doors

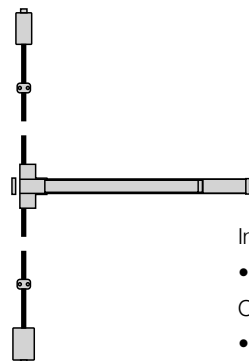


Inside:

- 1 Touchbar

Outside:

- 1 Lever handles with round rosette



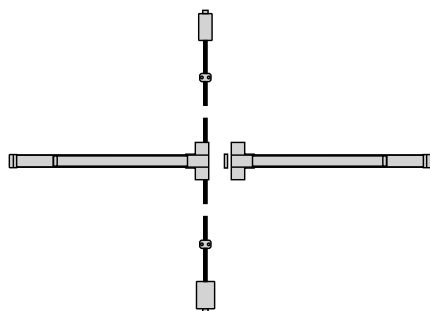
Inside:

- 1 Touchbar with vertical locking rod

Outside:

- 1 Lever handle on backplate

Product components for double doors

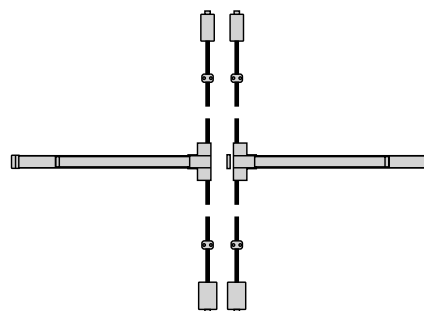


Inside:

- Action leaf: 1 Touchbar
- Inactive leaf: 1 Touchbar with vertical locking rod and 1 striking plate

Outside:

- 1 Lever handle on backplate



Inside:

- Action and inactive leaf: Action and inaction leaf: 1 Touchbar with vertical locking rod

Outside:

- 1 Lever handle with round rosette

We reserve the right to alter specifications without notice (HIN Architectural Hardware 2015).

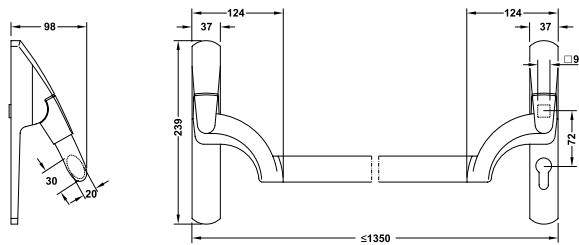
Panic exit device PED 100 - mortise lock with cylinder

2



Features

- Area of application: For fire resistant doors
- Material of touchable mechanism: Steel
- Colour of touchable mechanism: Black
- Finish of touchable mechanism: Powder coated
- Version: With cylinder aperture
- Standard: EN 1125 in conjunction with approved accessories
- For door width: <1400 mm
- Door weight: <200 kg
- Backset A: 65 mm
- Distance B: 72 mm
- Lever follower: 9 mm

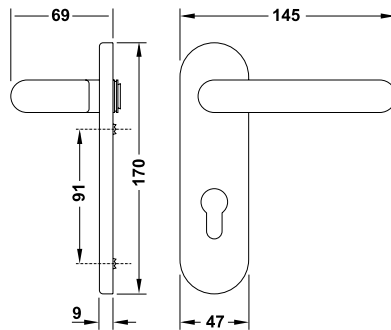


Material	Finish	Colour	Article No.
Bar: Steel	Powder coated	Bar: Red	901.02.439
Bar: Stainless Steel	Matt	-	903.03.010

Special Order

PED 100 Accessories
In compliance with EN 1125

Lever handle
 For outside

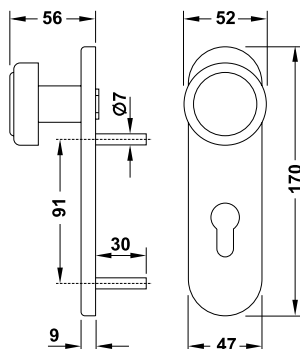


- Area of application: Suitable for PED 100
- Colour: Black

Material	Article No.
Steel black	911.52.126

Special Order

Knob
 For outside



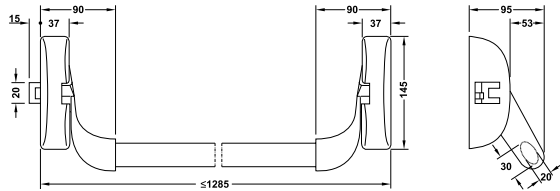
- Area of application: Suitable for PED 100
- Colour: Black

Material	Article No.
Steel black	911.52.127

Special Order

We reserve the right to alter specifications without notice (HIN Architectural Hardware 2015).

Panic exit device PED 200 - horizontal lock



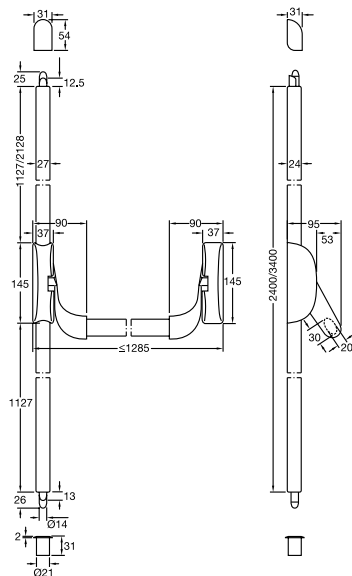
- Area of application: For fire resistant doors
- Material of touchable mechanism: Steel
- Colour of cover: Black
- Finish of touchable mechanism: Powder coated
- Version: Basic module
- Standard: EN 1125 in conjunction with approved accessories
- For door width: <1300 mm
- Door weight: <200 kg
- Lever follower: 8 mm

Material	Finish	Colour	Article No.
Bar: Steel	Powder coated	Bar: Red	901.02.449
Bar: Stainless Steel	Matt	-	903.03.014

Special Order

2

PED 210 Panic exit device
Vertical locking action, with key change



Features

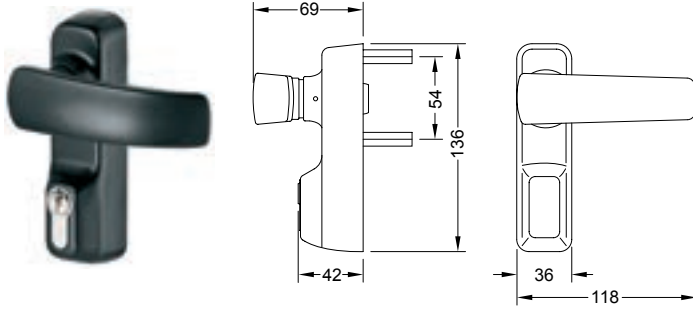
- Area of application: For fire resistant doors
- Material of touchable mechanism: Steel
- Colour of cover: Black
- Finish of touchable mechanism: Powder coated
- Version: Basic module with vertical locking action
- Standard: EN 1125 in conjunction with approved accessories
- For door height: <2400 mm
- For door width: <1300 mm
- Door weight: <200 kg
- Lever follower: 8 mm

Material	Finish	Colour	Article No.
Bar: Steel	Powder coated	Bar: Red	901.02.459
Bar: Stainless Steel	Matt	-	903.03.016

Special Order

We reserve the right to alter specifications without notice (HIN Architectural Hardware 2015).

Lever handle
For outside



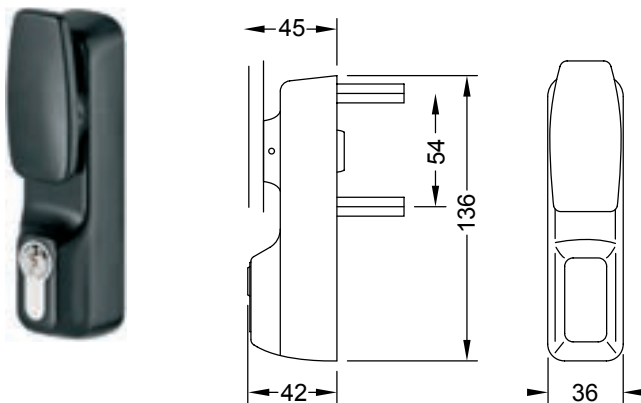
- Area of application: Suitable for PED 200 and PED 210
- Colour: Black

Finish	Article No.
Steel black	911.52.113

Special Order

Order reference
Spindles supplied

Knob
For outside



- Area of application: Suitable for PED 200 and PED 210
- Colour: Black

Finish	Article No.
Steel black	911.52.114

Special Order

Order reference
Spindles supplied

Dogging Device



- Area of application: Retrofitting the "permanent open function" on panic door, suitable for PED 200 and PED 210

Finish	Article No.
Steel	909.09.907

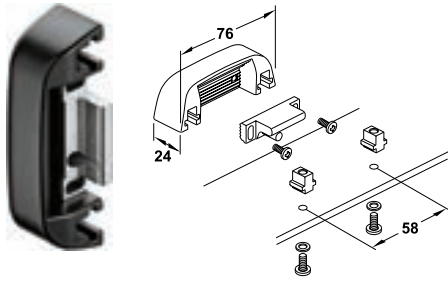
Special Order

We reserve the right to alter specifications without notice (HIN Architectural Hardware 2015).

2

Top keeper

For aluminium doors



- Area of application: For top shoot bolt on aluminium doors

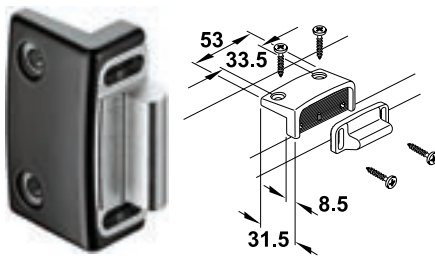
Finish	Article No.
Steel black	911.52.116

Special Order

2

Top keeper

For plastic doors



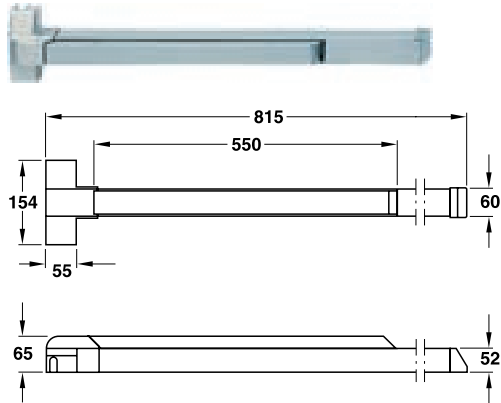
- Area of application: For top shoot bolt on plastic doors

Finish	Article No.
Steel black	911.52.117

Special Order

We reserve the right to alter specifications without notice (HIN Architectural Hardware 2015).

Touchbar



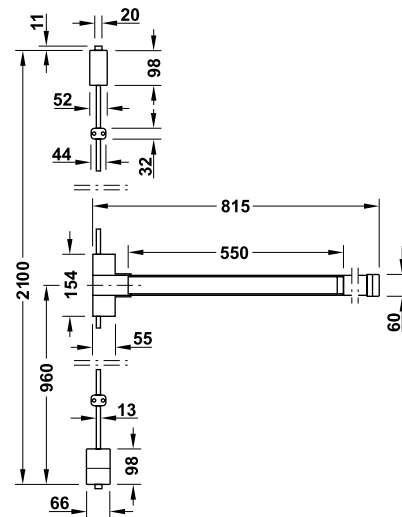
2

Supplied with

- 1 Touchbar
- 1 Striking plate

Description	Article No.
Rim Touch Pad Exit Device, 36" (815 mm)	911.52.633
Rim Touch Pad Exit Device, 36" (815 mm) (Fire rated: 3 hrs)	911.52.634

Touchbar with vertical locking rod

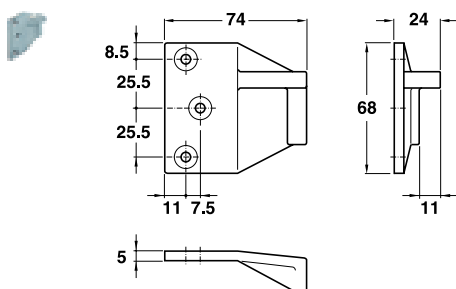


Technical data

- Touchbar height to finished floor: 1,043 mm at center

Material/Finish	Article No.
Aluminium	911.56.039

Striking plate



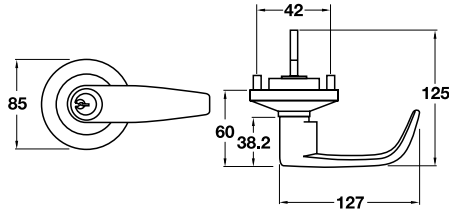
Feature

- For double doors using touchbar on active leaf and touchbar with vertical locking rod on inactive leaf

Material/Finish	Article No.
Chrome Matt	911.56.047

We reserve the right to alter specifications without notice (HIN Architectural Hardware 2015).

Lever handle with round rosette



Finish	Article No.
Level handle with round rosette for door thickness 40–55 mm	911.56.049

2

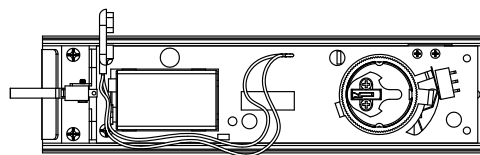
Rim cylinder



- Rim cylinder, keyed different for door thickness 55 mm

Finish	Article No.
Chrome Matt	911.56.046

Alarm Kit



- Alarm Kit, Battery operated to panic device

Finish	Article No.
Aluminium	911.56.048

We reserve the right to alter specifications without notice (HIN Architectural Hardware 2015).

3

Door Hinges





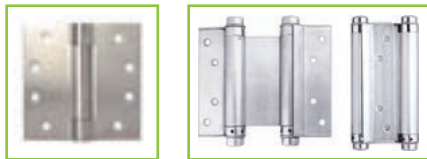
Butt Hinges



Ball Bearing Butt Hinge.....3.7
Ball Bearing Butt Hinge for Windows.....3.9
Butt Hinge (without ball bearing) for Windows3.9

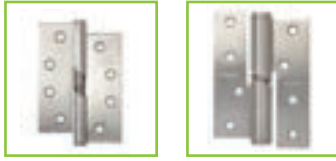
3

Spring Hinges



Single Action Spring Hinge.....3.10
Single Action Swing Hinge.....3.10
Double Action Swing Hinge.....3.10

Rising/ Falling Hinge



Lift Off Rising Hinge.....3.11
Lift Off Falling Hinge.....3.11

Concealed Hinges



Concealed Hinge.....3.12
KUBICA K6200.....3.12
TECTUS TE Concealed Hinges.....3.14

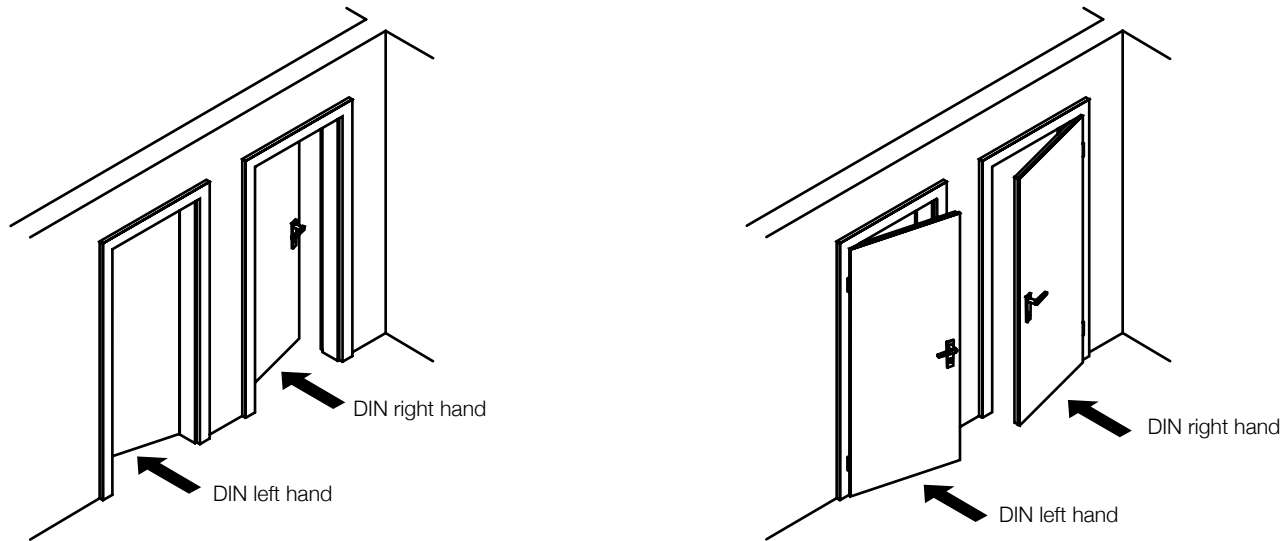
We reserve the right to alter specifications without notice (HIN Architectural Hardware 2015).



Door direction

Depending on the pivot direction of a door, a door is classified as a left and right hand door. The door direction or side definition is according to the German standard DIN 107. Please beware that this standard is different as the ANSI definition for left hand and right hand. Visible position of the door hinges on the left = DIN left Visible position of the door hinges on the right = DIN right. Furthermore, common definitions derived from the access direction.

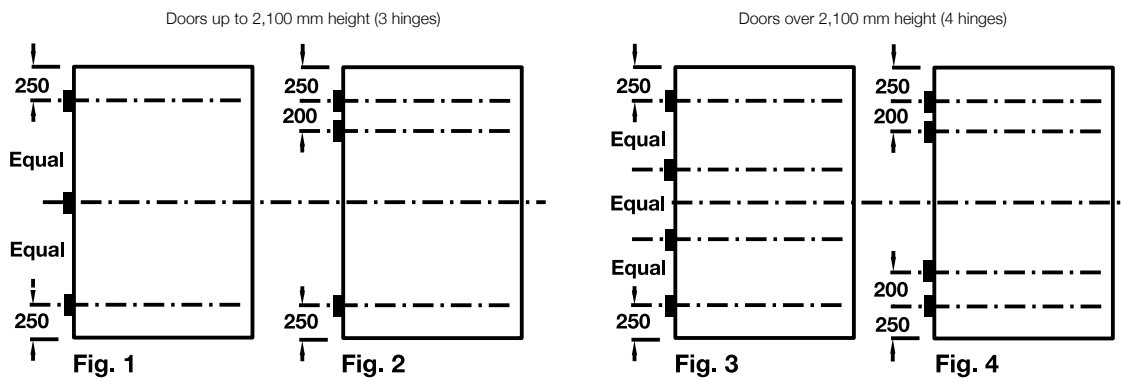
3



Hinge position recommendation

In the EN standard for hinges (EN 1935:2002) it is not specified where a hinge has to be fixed exactly. The recommendation shown below is only a guide and should be proved always as per the door specifications.

- Figure 1 – Use for medium weight doors. The benefit of this solution is that door will be held straight and wont warp.
- Figure 2 – Use for higher weight doors. This alternative is recommended when door closing device is fixed on the door.
- Figure 3 – Use for door height over 2,100 mm. This solution is for constructions with a high risk of door warping.
- Figure 4 – Use for door height over 2,100 mm. This version is especially recommended when door closers are fitted on the door.



We reserve the right to alter specifications without notice (HIN Architectural Hardware 2015).

Adjusting the door weight

Normally, three hinges are fitted to each door. Their positions are determined by the weight of the door and its resistance to warping or whipping. Hinge specification is also determined by the adjusted door weight (based on the actual weight supplied by the manufacturer). The factors by which the door mass has to be adjusted for excessive widths of door are calculated by dividing the door height by its width. For a factor of 2 or greater, no allowance has to be made. When the factor is less than 2, the door mass has to be increased by the value required to bring the factor to 2 expressed as a percentage. These percentages are shown in the side loading calculations table shown on the right.

Side loading calculations

Door size		Factor	Normal increase of Door height mass of door leaf %
Door height mm	Door width mm		
2,000 mm	1,000	2.00	0
	1,050	1.90	10
	1,100	1.82	18
	1,150	1.74	26
	1,200	1.66	33
	1,250	1.60	40

Adjusted door weight calculation table

Doors of excess width, please refer to side loading calculation table		
Actual door weight	Door closer + 20%	= Adjusted door weight
	Door closer (Backcheck) + 75%	
	Extra heavy use + 10%	
	Light use - 10%	



Additional tables to aid understanding of EN 1935 2002

Digit 8 - hinge grade, regarding information on door mass and test cycles:

Table B shows the mass range of typical doors

Door type	Mass kg	Duty
Cupboard, wardrobe, cabinet, louvered doors and shutters	3.0–10.0	Light
Light internal large wardrobe and large louvered doors	10.0–17.5	Light
Medium internal doors	17.5–25.0	Medium
Heavy internal doors	25.0–37.5	Medium
Heavy internal doors	40.0–60.0	Heavy
Oversize or special external doors	55.0–110.0	Heavy

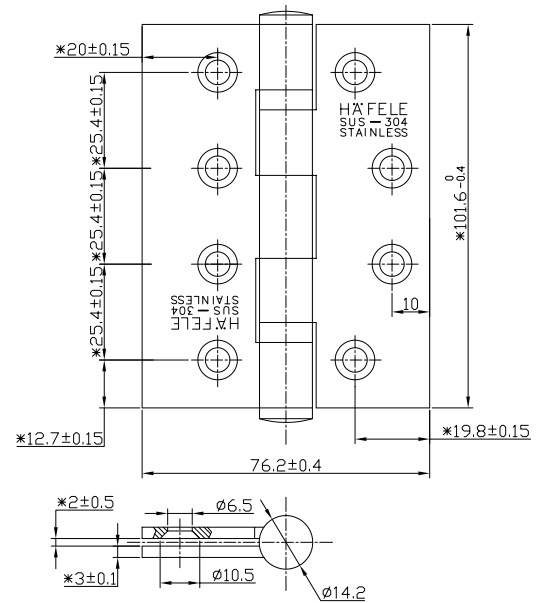
Table C gives estimated number of operations of typical doors and use. Failure to assess the likely frequency of operation of a door could lead to the specification of inadequate hinges and subsequent problems.

Door type	Cycles/day	Cycles/annum
High use/high duty situations:		
Large department store entrance	5,000	1,500,000
Large office building entrance	4,000	920,000
Cinema or theatre entrance	1,300	455,000
School entrance	1,250	225,000
Entrance door to school toilets	1,250	225,000
City centre shop entrance	1,000	300,000
Large city bank entrance	1,000	250,000
School corridor fire door	600	108,000
Town bank entrance	500	150,000
City centre restaurant entrance	500	150,000
Large office corridor fire door	450	104,000
Town centre shop entrance	400	120,000
Large office or factory toilet entrance	400	92,000
Hospital ward door	350	128,000

Door type	Cycles/day	Cycles/annum
Medium use/medium duty situations:		
School classroom door	80	15,000
Office door	75	18,000
Store toilet door	60	18,000
Dwelling front entrance	12	4,400
Dwelling rear or side door	15	5,400

We reserve the right to alter specifications without notice (HIN Architectural Hardware 2015).

Ball Bearing Butt Hinge



Features

- For Wooden Doors
- 2 High Performance Ball Bearings
- Suitable for DIN Left & DIN Right Hand

Technical Data

- Maximum Door Weight for 3 Hinges 60kg/ 80kg
- Knuckle Diameter 14mm
- Material Thickness 3mm
- Finish: SS Matt



SS Polished



Polished Brass



Antique Brass

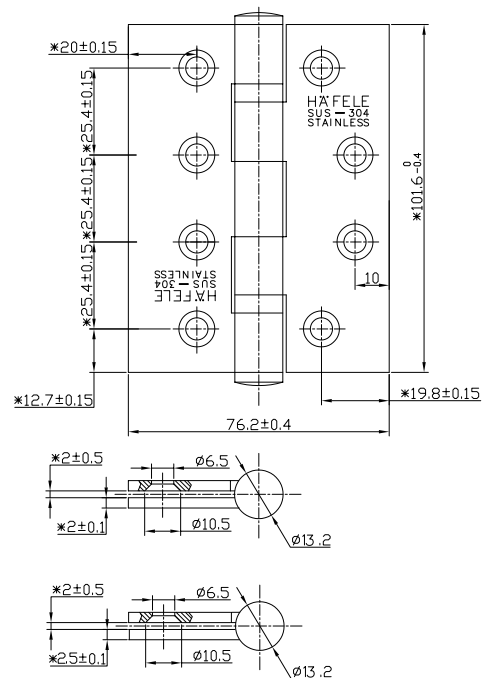
Size	Finish	Article No.
102x76x3mm - 60kg	SS Matt	926.13.003
	SS Polished	926.83.33001
	Polished Brass	926.83.33002
	Antique Brass	926.90.980
127x89x3mm - 80kg	SS Matt	926.14.403
	SS Polished	926.83.48001
	Polished Brass	926.83.48002
	Antique Brass	926.83.48003

Special Order

We reserve the right to alter specifications without notice (HIN Architectural Hardware 2015).



Ball Bearing Butt Hinge



Features

- For Wooden Doors
- 2 High Performance Ball Bearings
- Suitable for DIN Left & DIN Right Hand

Technical Data

- Maximum Door Weight for 3 Hinges 60kg/ 80kg
- Knuckle Diameter 14mm
- Material Thickness 3mm
- Finish: SS Matt

3



SS Polished



Polished Brass



Antique Brass

Size	SS Matt	SS Polished	Brass Polished	Antique Brass
SS Ball Bearing Butt Hinge, 102 X 76 X 2mm	926.83.270	926.83.27001	926.83.27002	926.83.27003
SS Ball Bearing Butt Hinge, 102 X 76 X 2.5mm	926.83.300	926.83.30001	926.83.30002	926.83.30003
SS Ball Bearing Butt Hinge, 127 X 76 X 2mm	926.83.350	926.83.35001	926.83.35002	926.83.35003
SS Ball Bearing Butt Hinge, 127 X 76 X 2.5mm	926.83.370	926.83.37001	926.83.37002	926.83.37003
SS Ball Bearing Butt Hinge, 127 X 89 X 2mm	926.83.420	926.83.42001	926.83.42002	926.83.42003
SS Ball Bearing Butt Hinge, 127 X 89 X 2.5mm	926.83.450	926.83.45001	926.83.45002	926.83.45003
SS Ball Bearing Butt Hinge, 127 X 76 X 3mm	926.83.390	926.83.39001	926.83.39002	926.83.39003

Special Order

We reserve the right to alter specifications without notice (HIN Architectural Hardware 2015).

Ball bearing butt Hinge for windows



Polished Brass

Features

- For Flush wooden or metal interior doors
- 2 High performance ball bearings
- Material: SS 304 Grade
- Material Thickness: 2.5mm
- Flange Shape: Square
- Finish: SS Matt

Technical Data

- Maximum Door Weight for 3 Hinges 60kg/ 80kg
- Knuckle Diameter 14mm
- Material Thickness 3mm
- Finish: SS Matt

Size	Finish	Article No.
76 x 59 x 2.5mm	SS matt	926.35.103
	SS Polished	926.83.50001
	Polished Brass	926.83.50002
	Antique brass	926.83.50003

Special Order

3

Butt Hinge (without ball bearing) for windows



Features

- For Flush wooden or metal interior doors
- Without ball bearings
- Material: SS 304 Grade
- Material Thickness: 2mm
- Flange Shape: Square
- Finish: SS Matt

Technical Data

- Maximum Door Weight for 3 Hinges 60kg/ 80kg
- Knuckle Diameter 14mm
- Material Thickness 3mm
- Finish: SS Matt

Size	Finish	Article No.
76 x 59 x 2mm	SS matt	926.35.203
	SS Polished	926.83.49001
	Polished Brass	926.83.49002
	Antique brass	926.83.49003

Special Order

We reserve the right to alter specifications without notice (HIN Architectural Hardware 2015).

Single Action Spring Hinge



Features

- For Wooden Frames
- For Flush Interior Doors
- Suitable for DIN Left & DIN Right Hand

Technical Data

- Maximum Door Weight for 3 Hinges 40 kg
- Knuckle Diameter 19 mm
- Material Thickness 2 mm
- Finish : SS Matt

Size	Article No.
102x102x3 mm	926.14.50301

Single Action Swing Hinge



Features

- For Wooden Frames
- For Flush Interior Doors
- 90° Swing Action
- Suitable for DIN Left & DIN Right Hand

Technical Data

- Maximum Door Weight for 3 Hinges 40 kg
- Knuckle Diameter 19 mm
- Material Thickness 2 mm
- Finish : SS Matt

Size	Article No.
152 mm	927.93.003

Double Action Swing Hinge



Features

- For Wooden Frames
- For Flush Interior Doors
- 180° Swing Action
- Suitable for DIN Left & DIN Right Hand

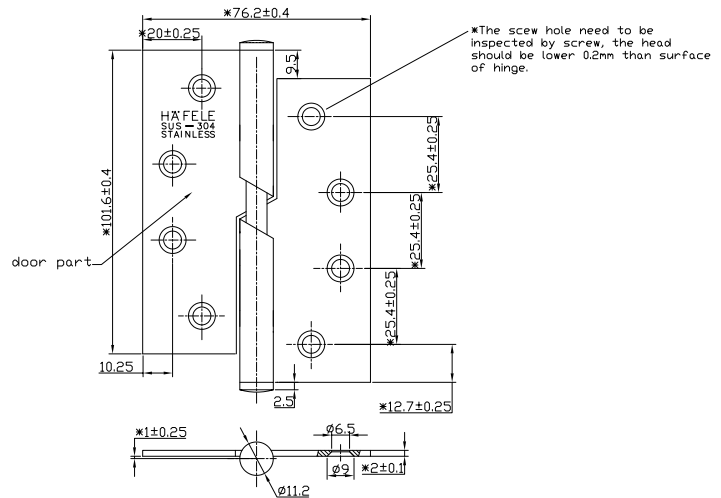
Technical Data

- Maximum Door Weight for 3 Hinges 40 kg
- Knuckle Diameter 19 mm
- Material Thickness 2 mm
- Finish : SS Matt

Size	Article No.
152 mm x 170.5 mm	927.93.103

We reserve the right to alter specifications without notice (HIN Architectural Hardware 2015).

Lift Off Rising Hinge



Features

- For Wooden Frames
- For Flush Doors
- With Straight Pin

Technical Data

- Maximum Door Weight for 3 Hinges 40 kg
- Knuckle Diameter 16 mm
- Material Thickness 2 mm

Size	Handling	Article No.
102 x 76 x 2 mm	DIN Left	926.79.003
102 x 76 x 2 mm	DIN Right	926.79.103



Lift off Falling Hinge



Features

- For Wooden Frames
- For Flush Doors
- With Straight Pin

Technical Data

- Maximum Door Weight for 3 Hinges 40 kg
- Knuckle Diameter 16mm
- Material Thickness 2mm

Size	Handling	Article No.
102 x 76 x 2 mm	DIN Left	926.79.203
102 x 76 x 2 mm	DIN Right	926.79.303

We reserve the right to alter specifications without notice (HIN Architectural Hardware 2015).

Concealed SOSS Hinge



Features

- For Flush Interior Doors
- Maximum Opening Angle 180
- For Wooden Doors
- Suitable for DIN Left & DIN Right Hand

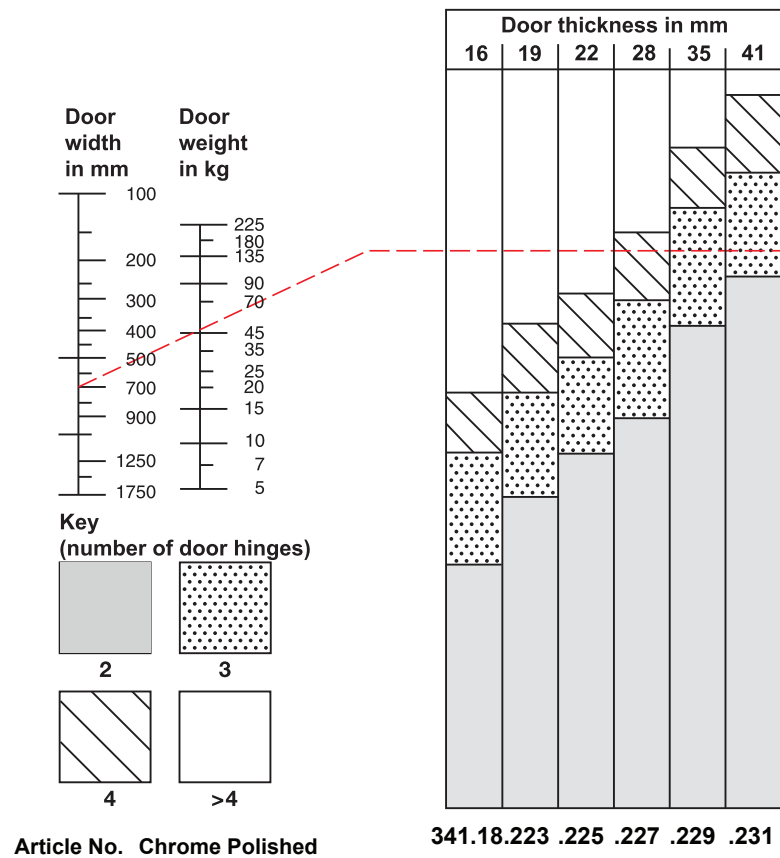
Technical Data

- Material : Zinc Alloy
- Finish : Polished Chrome

Size	Door Thickness	Article No.
12.70x60.30 mm	19-24 mm	341.18.223
15.8x69.85 mm	22-26 mm	341.18.225
19.05x95.25 mm	28-34 mm	341.18.227
25.4x117.48 mm	35-38 mm	341.18.229
28.58x117.48 mm	41-45 mm	341.18.231

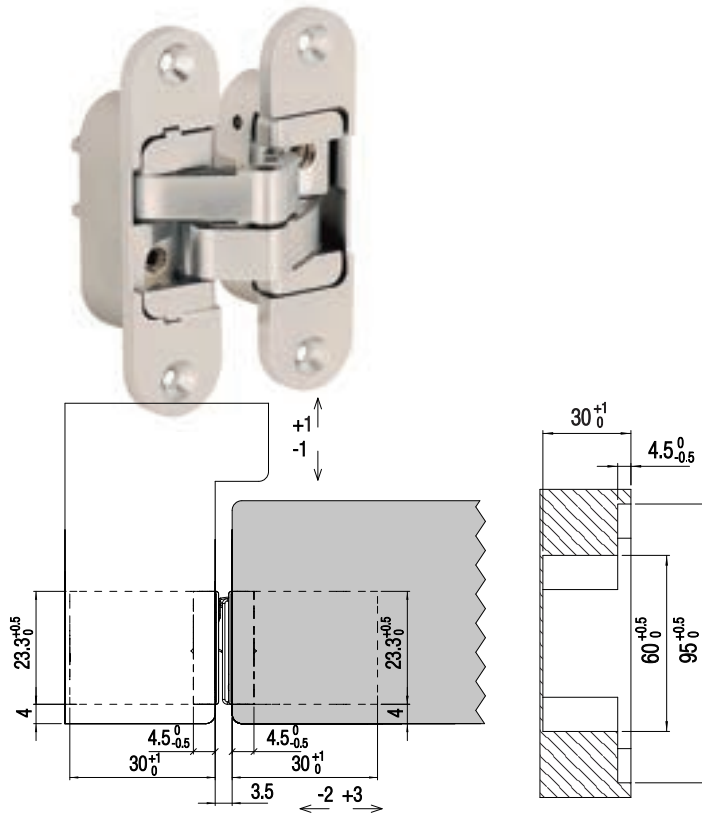
3

Reference table for calculating the number of required door hinges
Example:
A door 700 mm wide that weighs 45 kg and has a thickness of 41 mm would require three concealed hinges
Article. No. 341.18.231.



We reserve the right to alter specifications without notice (HIN Architectural Hardware 2015).

KUBICA K6200
Three-dimensionally adjustable



Features

- For flush interior doors
- For concealed fixing
- For Height 1 mm, side 1 mm, depth 1 mm
- For 180° opening angle
- For Material : Zinc Alloy

Technical Data

- Max. door weight with 3 hinges: 40 kg,
- Size: 95 mm
- Min. door thickness: 30 mm
- Door width: 600-1000 mm
- Door height: 2100-2700 mm

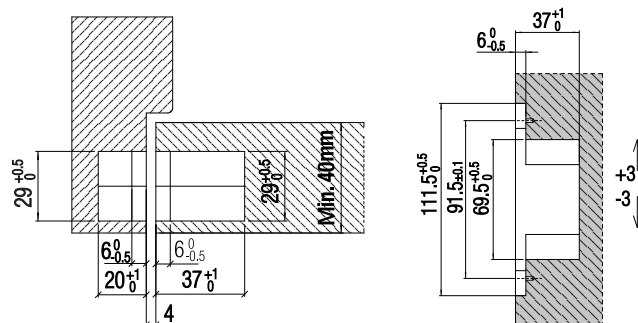
Fixing

- Diameter of cutter: 12 mm
- Cutting height: 95 mm

Finish	Article No.
Chrome Matt	927.91.544



KUBICA K6700
Three-dimensionally adjustable



Features

- For wooden frames
- For flush interior doors
- For concealed fixing
- Height 1.5 mm, side 1 mm, depth 1 mm
- 180° opening angle
- Material : Zinc Alloy

Technical Data

- Max. door weight with 3 hinges: 60 kg,
- Size: 111.5 mm
- Min. door thickness: 40 mm
- Door width: 600-1000 mm
- Door height: 2100-2700 mm

Fixing

- Diameter of cutter: 12 mm
- Cutting height: 111.5 mm

Finish	Article No.
Chrome Matt	927.91.554

We reserve the right to alter specifications without notice (HIN Architectural Hardware 2015).

Concealed mortise hinge TECTUS TE 540 3D A8



3

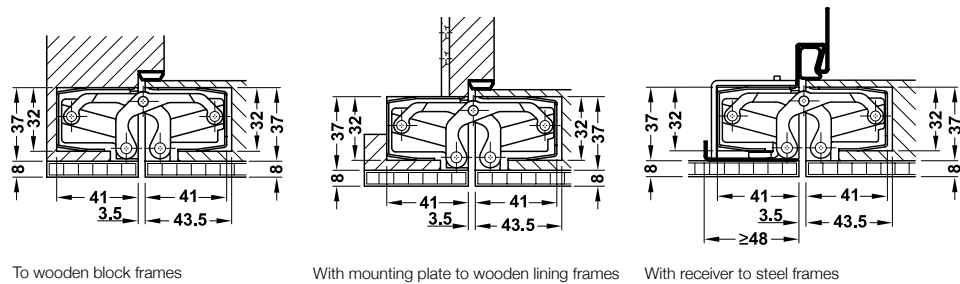
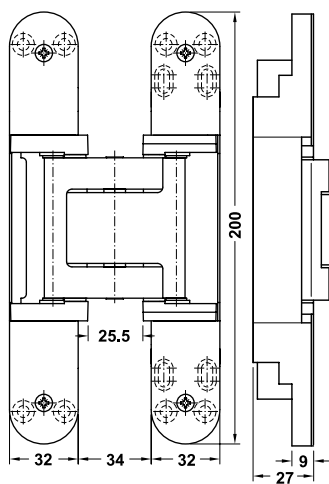
Features

- For frames made of wood, steel or aluminium
- For doors with doubling elements up to 8mm
- For flush doors
- For concealed mounting
- Suitable for DIN left hand and DIN right hand

Technical data

- Max. opening angle 180°
- Min. door thickness: 40mm
- Max. door weight: 100kg with 2 hinges
- Adjustment facility: Continuously 3D adjustable side and height ± 3 mm and closing pressure ± 1 mm
- Router bit \varnothing : 24mm

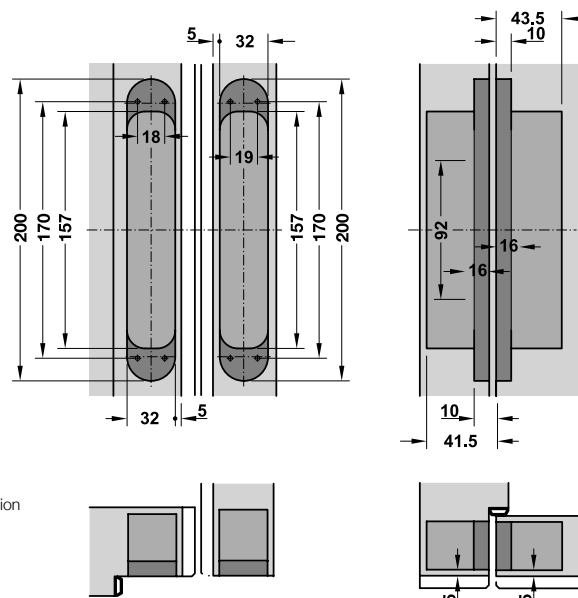
Installation



To wooden block frames

With mounting plate to wooden lining frames

With receiver to steel frames



Preparing installation

Material	Finish	Article No.
Steel cover plates, plastic coated Aluminium link	Stainless steel coloured	924.17.304
	Silver coloured	924.17.321

Special Order

We reserve the right to alter specifications without notice (HIN Architectural Hardware 2015).

Concealed mortise hinge TECTUS TE 640 3D A8



Features

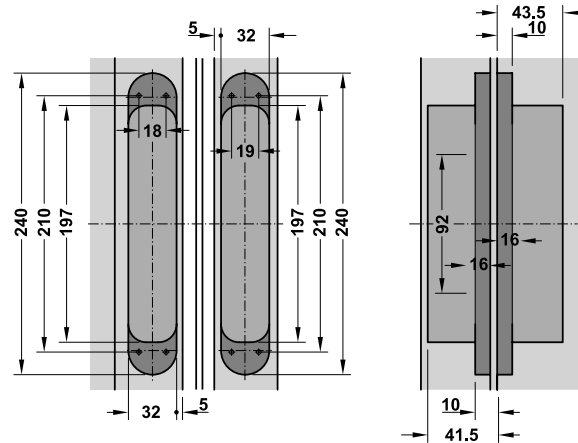
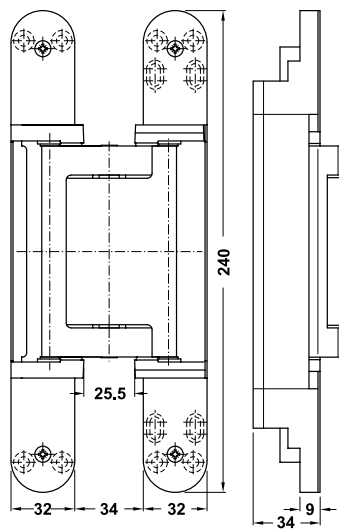
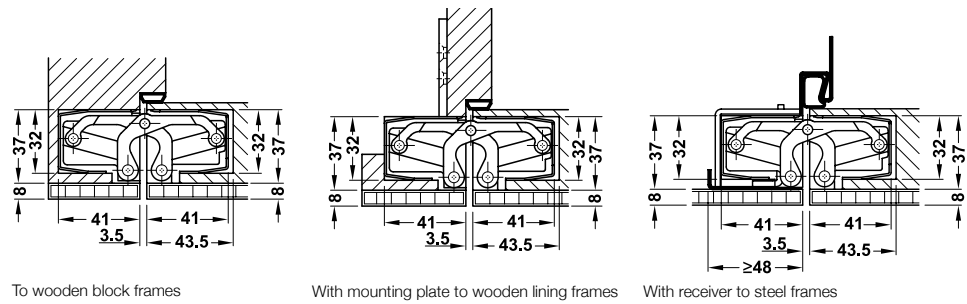
- For frames made of wood, steel or aluminium
- For doors with doubling elements up to 8mm
- For flush doors
- For concealed mounting
- Suitable for DIN left hand and DIN right hand

Technical data

- Max. opening angle 180°
- Min. door thickness: 40mm
- Max. door weight: 160kg with 2 hinges
- Adjustment facility: Continuously 3D adjustable side and height ± 3 mm and closing pressure ± 1 mm
- Router bit \varnothing : 24mm

3

Installation



Preparing installation



Material	Finish	Article No.
Steel cover plates, plastic coated Aluminium link	Stainless steel coloured	924.17.504
	Silver coloured	924.17.521

Special Order

We reserve the right to alter specifications without notice (HIN Architectural Hardware 2015).

4

Door Closer





Overhead position door closers



Door closer StarTec.....4.8
Jam concealed door closer4.18
Accessories.....4.20
Overhead sliding door closer for.....4.21
lightweight sliding doors

Floor springs



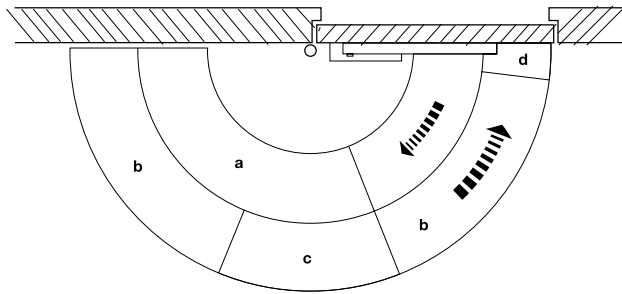
Floor springs 120kg.....4.22
Floor springs 300kg.....4.23
Heavy Duty Floor springs 600kg.....4.24

Door closer

The door closers in this catalogue are divided into the following groups:

- Overhead door closers with slide channel, arm or as concealed version
- Floor springs

Door closer functions in the door operating range



a Backcheck

With backcheck, the swing of a forcefully opened door (manually or for example by gusts of wind) is reduced. Damage to the door or wall are therefore minimised or eliminated.

b Closing speed

The exact setting of the closing speed guarantees a controlled closing of the door leaf.

c Closing delay

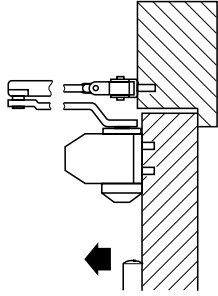
The closing delay increases the closing time so that, for example, persons carrying luggage or bulky items, mothers with prams, elderly persons, etc. have sufficient time to walk through the door.

d Latching action

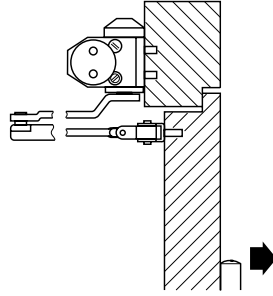
The latching action controls the closing of the door and ensures, the lock closes reliably. Therefore the door closer increases the speed of the door. The hydraulic latching action is reducing the speed of the door to achieve a softer closing of the door.



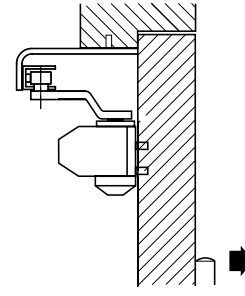
Fixing types



Standard installation
(Door leaf installation) on the pull side

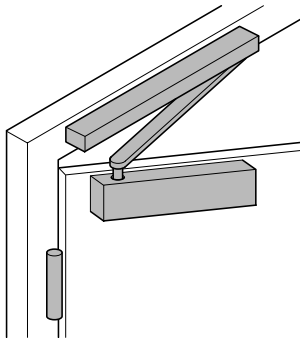


Overhead installation
(Transom fixing) on the push side

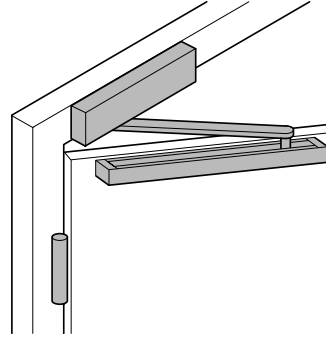


Parallel arm installation
On push side

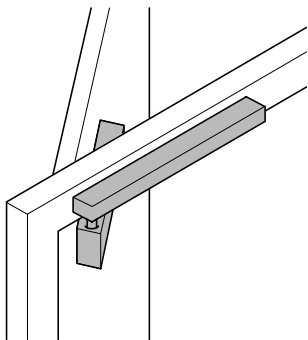
4



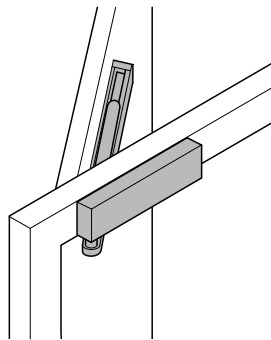
Standard installation
(Door leaf installation) on the pull side



Overhead installation
(Transom fixing) on the pull side



Standard installation
(Door leaf installation) on the push side



Overhead installation
(Transom fixing) on the push side

We reserve the right to alter specifications without notice (HIN Architectural Hardware 2015).

Standards relevant to the architectural hardware industry

Standards

There are two standards currently in existence for door closing devices:

EN 1154: 1997 - Mechanical closers

EN 1155; 1997 - Electronically controlled closers

EN 1154: 1997 - Controlled door closing devices - requirements and test methods.

These standards are shown in summary below in detail at the back of this catalogue. Attention should be paid to Digit 3, which deals with the power size and door width. Where applicable we have shown the relevant classification code using DHF graphic icons in this section.

Scope - The standard covers all controlled surface mounted, concealed, or transom mounted closers as well as both single and double action floor springs.

Classification



Digit 1 - Category of use

For all internal and external doors for use by the public, and others, with little incentive to take care, i.e. where there is some chance of misuse of the door.

Grade **3**: For closing doors from at least 105° open

Grade **4**: For closing doors from 180° open

Note 1: Grade 4 classification assumes standard installation according to the manufacturer's instructions.

Note 2: For applications subject to extremes of abuse, or for particular limitations of opening angle, door closers incorporating backcheck function or provision of a separate door stop should be considered.



Digit 3 - Test door mass/size

Seven test door mass grades and related door closer power sizes are identified according to below table of this standard. Where a door closer provides a range of power sizes both the minimum and maximum sizes shall be identified.

TEST DOOR MASS AND RECOMMENDED DOOR WIDTHS		
Power size of closer	Max. mass of hinged leaf	Width of test door leaf
1	20 kg	<750 mm
2	40 kg	850 mm
3	60 kg	950 mm
4	80 kg	1,100 mm
5	100 kg	1,250 mm
6	120 kg	1,400 mm
7	160 kg	1,600 mm



Digit 2 - Number of test cycles

Only one test duration is identified for the door closing device manufactured to this standard: Grade **8**: 500,000 cycles



Digit 4 - Fire behaviour

Two grades of fire behaviour are identified for door closing devices manufactured to this standard:

Grade **0**: Not suitable for use on fire/smoke door assemblies

Grade **1**: Suitable for use on fire/smoke door assemblies, subject to satisfactory assessment of the contribution of the emergency device to the fire resistance of specified fire/smoke door assemblies



Digit 6 - Corrosion resistance

Five grades are identified according to EN 1670:

Grade **0**: No defined corrosion resistance

Grade **1**: Low resistance

Grade **2**: Moderate resistance

Grade **3**: High resistance

Grade **4**: Very high resistance



Digit 5 - Safety

All door closers are required to satisfy the Essential Requirement of safety in use contained in the Construction Products Directive by the EU. Therefore only Grade **1** is identified

Example

The following marking denotes a closer capable of opening to at least 105°, and with a range of power sizes from size 2 to size 5. Note that as the 4th digit is zero, such a closer would not be suitable for fire door use.

:3:8:2/5:0:1:0





Fire resisting doors

EN 1154 makes the following recommendations as to the feature considered necessary for such devices when they are fitted to fire and smoke resisting doors.

- a) The door closer when installed in accordance with the manufacturer's installation instruction shall be capable of closing the test door from any angle to which it may be opened.
- b) Due to their low closing moments, door closers sizes 1 and 2 are not considered suitable for use on fire/smoke resisting door assemblies. Door closers with adjustable closing force shall be capable of adjustment to at least power size 3.
- c) The door closer shall not include a hold open device unless it is electrically powered device in accordance with **EN 1155**.

- d) Control regulators shall be either concealed or operable only by means of a tool.
- e) The design of a door closer shall be such that it is not possible to inhibit its closing action in any way without the use of a tool.
- f) Any incorporated delayed action function shall be capable of adjustment to less than 25 seconds between the door closing angle of 120° and the end of the delay zone.
- g) The door closer representative of its model shall have been incorporated in a door assembly that has satisfied the appropriate criteria of a fire test. The test shall have been on a full size assembly in accordance with **EN 1634-1**.

EN 1155: 1997 - Electrically powered hold open devices for swing doors - requirements and test methods

Scope

The standard specifies requirements for separate electrically powered hold-open devices and also for hold-open mechanisms incorporated in a door closer. Whilst these devices may incorporate smoke or fire detection elements, the performance of these particular elements is outside the scope of **EN 1155**.

CE conformity



Where a door closing device has a CE certificate of conformity, this will be shown thus. It is stated in 8300 that all fire doors must have closing devices that are CE marked.

We give below a guide to the terminology used in connection with door closing devices.

Backcheck

A device built into the closer that checks the outward swing of the door. The backcheck damping is inversely proportional to the speed of the outward swing of the door. It should not be regarded as a door stop.

Closing speed

The speed with which the door is closed. Normally adjustable.

Closing force

The power that the closer exerts to close the door. Measured in the EN standard from 1-6. See table below.

Size	Max. door width mm	Min. closing moments N.m
1	750	9
2	850	13
3	950	18
4	1100	26
5	1250	37
6	1400	54

It should be noted that size 3 is the minimum requirement for fire doors.

Latching action

The door movement becomes accelerated in the last few degrees of closing, in order to be able to overcome any resistance, such as seals, latch bolts, etc.

Fire resistance and smoke control

- F** Tested for fire resistant and smoke control doors.
- The use of a hold-open device on fire resistant and smoke control doors are not permitted or they are not tested for resistance and smoke control

Delayed action

The closing speed of the door is reduced to minimal or the door stops, for a preset period, to allow passers-by sufficient time to pass through the door opening. i.e. Elderly persons, Hospital staff with beds, etc.

Hold open

This is a device to enable the closer to be held in the open position, usually at 90°, but some are variable in the opening degree. These closers must not be used on fire doors. (except where they are electronically controlled to close when the fire alarm is sounded).

Door stops

Always use a door stop, where practicable, whether a closer has a backcheck or not. This may take the form of a floor mounted version, wall/skirting mounted version or built-in as found with guide rail closers. The positioning of the stop is also important, and must be at least 66% (2/3rds) the door width away from the hinge, otherwise the stop acts as a fulcrum and could damage the door, the frame and the hinges. Where there is a maximum angle of opening stated the stop must be positioned at that point, otherwise damage to the closer will occur.

Note

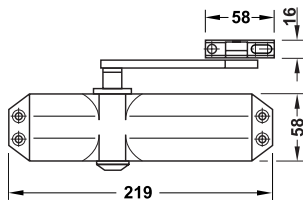
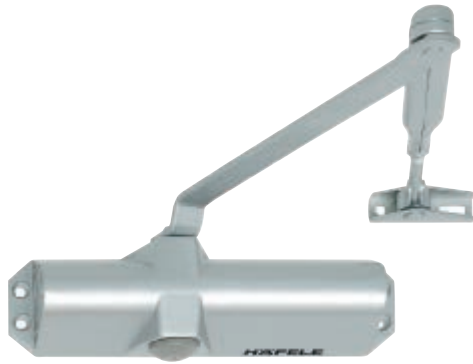
Please ensure that the correct closing device is the appropriate one for the job it is intended to do and that it is the correct size. Too many closers are under specified, purely in an effort to reduce costs.

We reserve the right to alter specifications without notice (HIN Architectural Hardware 2015).



HS 1100 - Surface Mounted StarTec

EN 1154

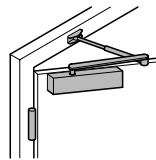
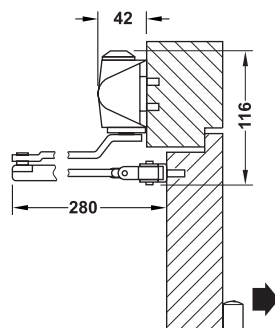
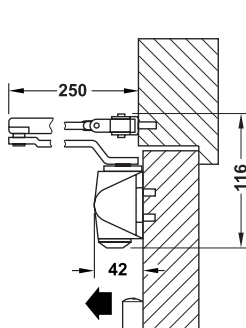


Features

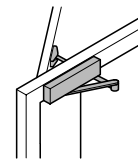
- Latching action valve adjustable
- Closing speed valve adjustable
- Backcheck valve adjustable
- Suitable for DIN right hand and DIN left hand
- Closing force according to EN 1154

Technical data

Closing force size	EN 2/3/4
Door width size	850–1100 mm
Max. door weight	45-60 kg
Max. door opening angle	180°
Hold open angle	70–145°



Standard installation
 (door leaf installation) on pull side



Overhead installation
 (transom fixing) on push side

Version		Article No.
HS 1100 with standard arm	<input checked="" type="checkbox"/>	931.84.749
HS 1100 with hold-open arm	<input checked="" type="checkbox"/>	931.84.759

We reserve the right to alter specifications without notice (HIN Architectural Hardware 2015).

Door closer DCL 11 StarTec

EN 1154

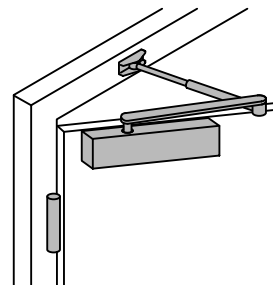
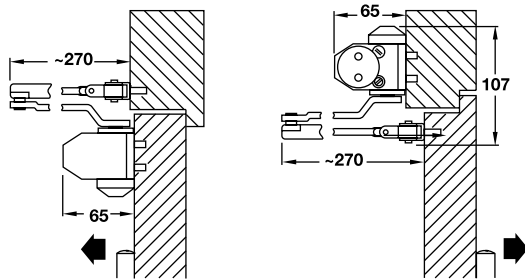


Features

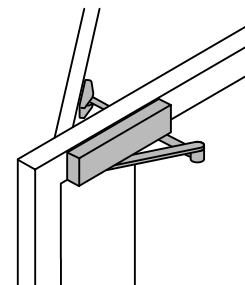
- Tested to EN 1154
- Tested to confirm with CE requirements
- Hydraulic latching action valve adjustable
- Closing speed valve adjustable
- Suitable for DIN right hand and DIN left hand

Technical data

Closing force size	EN3
Door width size	850–950 mm
Max. door weight	60 kg
Max. door opening angle	Approx. 180°
Hold open angle	70–145°



Standard installation
 (door leaf installation) on pull side



Overhead installation
 (transom fixing) on push side

Version		Article No.
DCL 11 with standard arm	F	931.84.649
DCL 11 with hold-open arm	X	931.84.659

We reserve the right to alter specifications without notice (HIN Architectural Hardware 2015).

Door closer DCL 15 StarTec

EN 1154



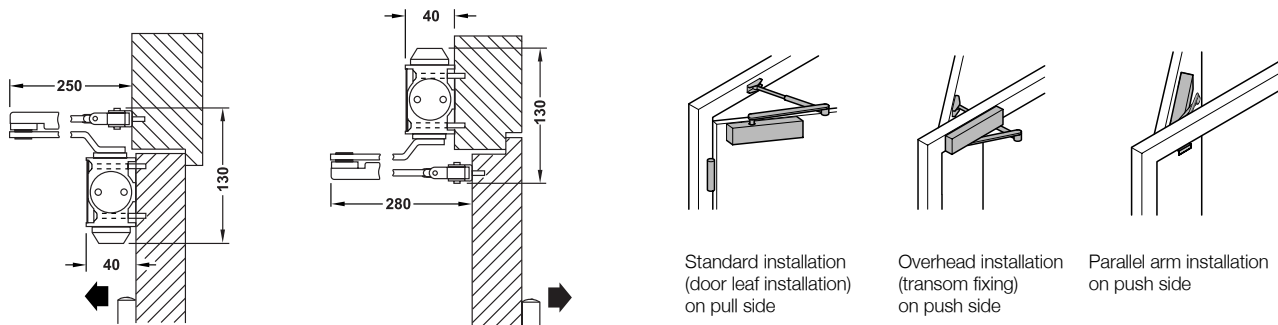
Features

- Tested to EN 1154
- Tested to conform with CE requirements
- Variable closing force by installation position of body
- Hydraulic latching action valve adjustable
- Closing speed valve adjustable
- On request available with backcheck
- Suitable for DIN right hand and DIN left hand

Technical data

Closing force size	EN 2/3/4
Door width size	750–1,100 mm
Max. door weight	80 kg
Max. door opening angle	Approx. 180°
Hold open angle	70–150°

4

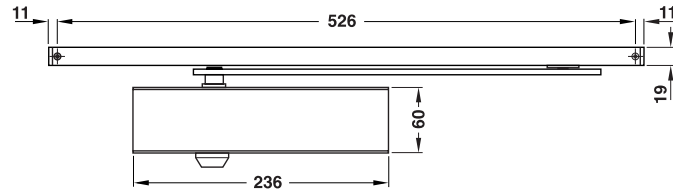


Version		Article No.
DCL 15 with standard arm	<input checked="" type="checkbox"/>	931.84.629
DCL 15 with hold-open arm	<input type="checkbox"/>	931.84.639

We reserve the right to alter specifications without notice (HIN Architectural Hardware 2015).

Door closer DCL 21 StarTec

EN 1154

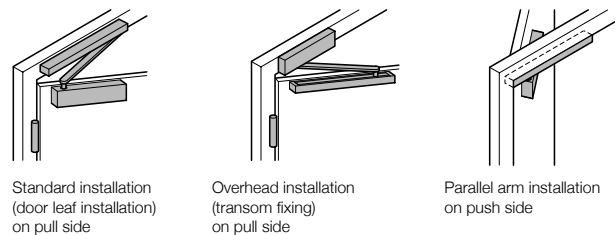
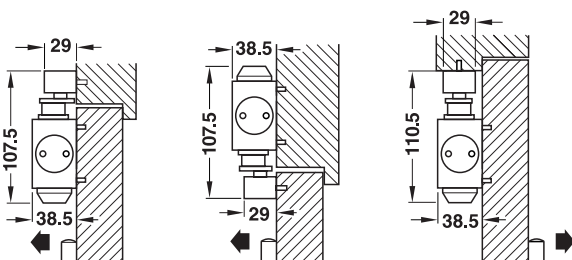


Features

- Variable closing force by installation position of body
- Hydraulic latching action valve adjustable
- Closing speed valve adjustable
- With fixed backcheck
- With interlocking hold-open device
- Suitable for DIN right hand and DIN left hand
- Closing force according to EN 1154

Technical data

Closing force size	EN 2/3/4
Door width size	750–1,100 mm
Max. door weight	80 kg
Max. door opening angle	Approx. 140°
Hold open angle	70–140°



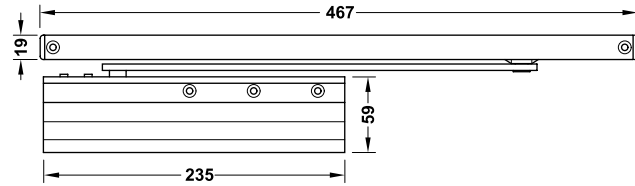
Version	Article No.
DCL 21 with hold-open function	<input checked="" type="checkbox"/> 931.84.129

Special Order

We reserve the right to alter specifications without notice (HIN Architectural Hardware 2015).

Door closer DCL 83 StarTec

EN 1154

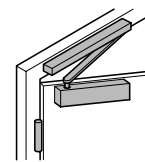
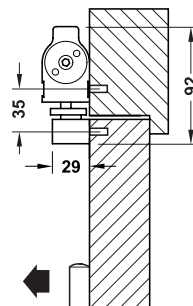
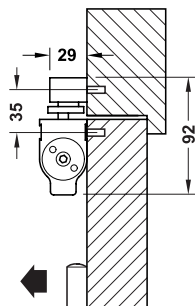


Features

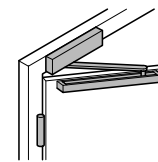
- CAM Efficient
- Tested to EN 1154
- Tested to conform with CE requirements
- Closing force valve adjustable
- Latching action valve adjustable
- Closing speed valve adjustable
- Suitable for DIN right hand and DIN left hand
- Closing force according to EN 1154

Technical data

Closing force size	EN2-EN4
Door width size	750-1,100 mm
Max. door weight	80 kg
Max. door opening angle	115°
Max. hold open angle	115°



Standard installation
(door leaf installation) on pull side



Overhead installation
(transom fixing) on pull side

Version	Article No.
DCL 83 without hold-open function	<input checked="" type="checkbox"/> 931.84.289
DCL 83 with hold-open function	<input type="checkbox"/> 931.84.299

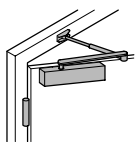
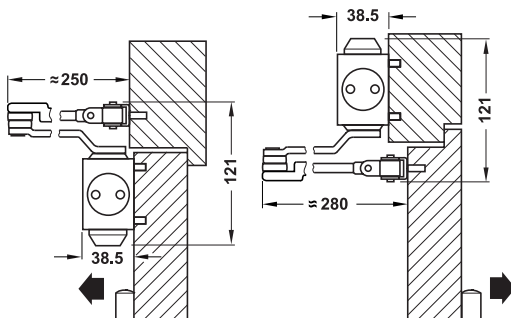
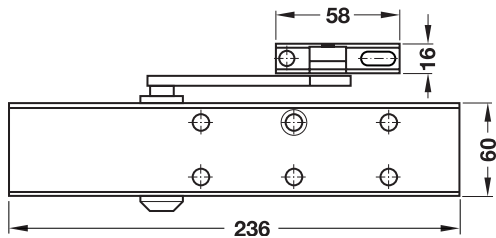
Special Order

We reserve the right to alter specifications without notice (HIN Architectural Hardware 2015).

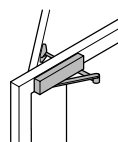


Door Closer DCL 51 StarTec

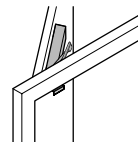
EN 1154



Standard installation (door leaf installation) on pull side



Overhead installation (transom fixing) on push side



Parallel arm installation on push side

Features

- Tested to EN 1154
- Tested to conform with CE requirements
- Closing force adjustable by valve
- Hydraulic latching action valve adjustable
- Closing speed valve adjustable
- Backcheck valve adjustable

Technical data

- Closing force size EN2-EN5
- Door width size 750-1,250 mm
- Max. door weight 110 kg
- Max. door opening angle Approx. 180°
- Hold open angle 70-150°

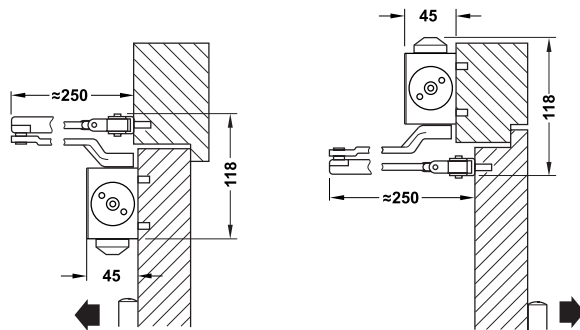
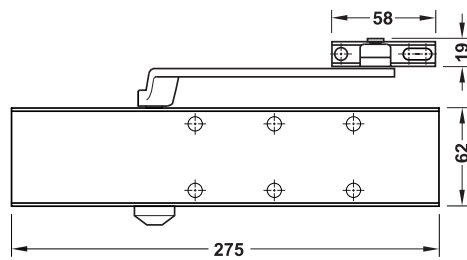
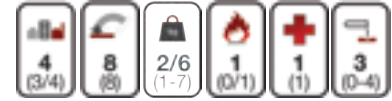


Version		Article No.
DCL 51 with standard arm	<input checked="" type="checkbox"/>	931.84.829
DCL 51 with standard arm with hold open	<input type="checkbox"/>	931.84.669

We reserve the right to alter specifications without notice (HIN Architectural Hardware 2015).

Door closer DCL 55 StarTec

EN 1154

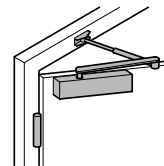


Features

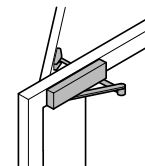
- Tested to EN 1154
- Tested to conform with CE requirements
- Closing force adjustable by valve
- Hydraulic latching action valve adjustable
- Closing speed valve adjustable
- Backcheck valve adjustable
- Suitable for DIN right hand and DIN left hand

Technical data

Closing force size	EN2-EN6
Door width size	750-1,400 mm
Max. door weight	120 kg
Max. door opening angle	180°
Hold open angle	70-150°



Standard installation
(door leaf installation) on pull side



Overhead installation
(transom fixing) on push side

Version		Article No.
DCL 55 with standard arm	<input checked="" type="checkbox"/>	931.84.769
DCL 55 with hold-open arm	<input type="checkbox"/>	931.84.819

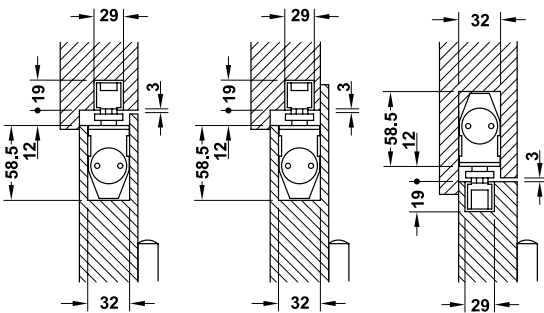
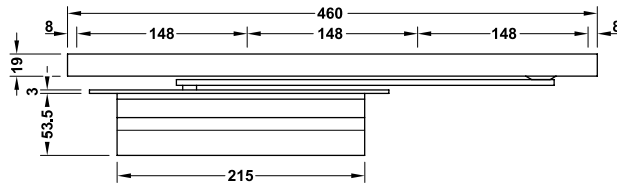
Special Order

We reserve the right to alter specifications without notice (HIN Architectural Hardware 2015).



Door closer DCL 34 EN3 StarTec

EN 1154



Features

- Tested to EN 1154
- Tested to confirm with CE requirements
- Door closer for concealed installation in the door leaf or frame
- Hydraulic latching action valve adjustable
- Closing speed valve adjustable
- Suitable for DIN right hand and DIN left hand

Technical data

Closing force size	EN3
Door width size	850–950 mm
Max. door weight	60 kg
Max. door opening angle	120°
Max. hold open angle	115°
Min. door panel thickness	40 mm

Version	Article No.	
DCL 34 without hold-open function	<input checked="" type="checkbox"/>	931.84.049
DCL 34 with hold-open function	<input type="checkbox"/>	931.84.279

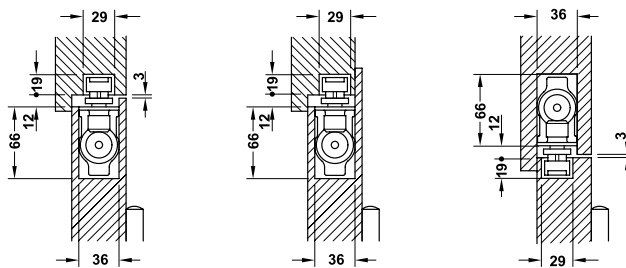
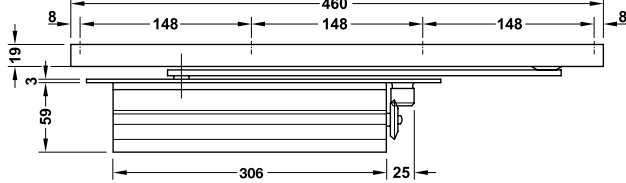
Special Order



We reserve the right to alter specifications without notice (HIN Architectural Hardware 2015).

Door closer DCL 33 StarTec

EN 1154



Features

- Tested to EN 1154
- Cam-action
- Tested to confirm with CE requirements
- Door closer for concealed installation in the door leaf or frame
- Closing force valve adjustable
- Hydraulic latching action valve adjustable
- Closing speed valve adjustable
- Suitable for DIN right hand and DIN left hand

Technical data

Closing force size	EN2-EN4
Door width size	750-1,100 mm
Max. door weight	80 kg
Max. door opening angle	115°
Max. hold open angle	115°
Min. door panel thickness	42 mm

Version		Article No.
DCL 33 without hold-open function	<input type="checkbox"/>	931.84.039
DCL 33 with hold-open function	<input checked="" type="checkbox"/>	931.84.269



Concealed door closer HS 3000

EN 1154

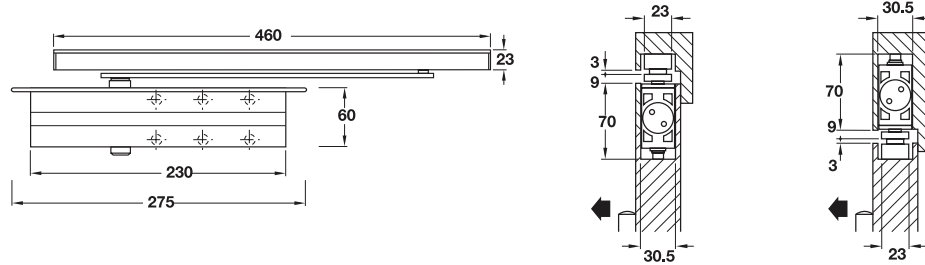


Features

- Hydraulic latching action valve adjustable
- Closing speed valve adjustable
- With fixed backcheck
- With interlocking hold-open device (not fire rated)
- Suitable for DIN right hand and DIN left hand
- Closing force according to EN 1154

Technical data

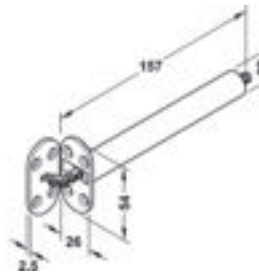
Closing force size	EN2	EN3	EN4
Door width size	850mm	950mm	1,100mm
Max. door weight	45kg	60kg	80kg
Max. door opening angle	Approx. 120°	Approx. 120°	Approx. 120°



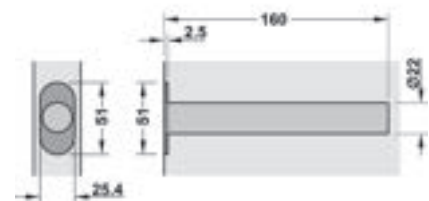
Version		Article No.
HS 3000 EN 2 with hold-open device		931.84.429
HS 3000 EN 3 with hold-open device	<input checked="" type="checkbox"/>	931.84.419
HS 3000 EN 4 with hold-open device		931.84.439

We reserve the right to alter specifications without notice (HIN Architectural Hardware 2015).

PERKO - Jamb Concealed Door Closer



EN 1154



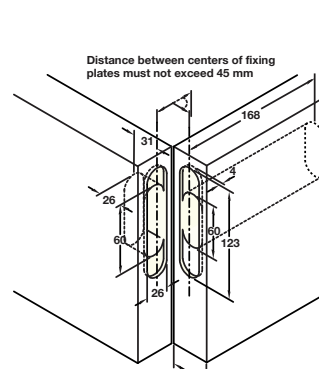
Technical Data :

- Concealed - enhance aesthetics - reduced opportunity for vandalism
- Door Weight 50.8kg
- Designed for light to medium duty installations
- Tested to withstand 500,000 closing cycles
- The precision engineered chain ensures smooth and lasting service

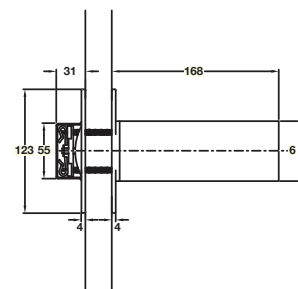
Finish	Article No.
Brass Polished	931.90.418
Chrome Polished	931.90.412
Chrome Matt	931.90.414

4

PERKOMATIC - Jamb Concealed Door Closer



EN 1154



Technical Data :

- Concealed - enhance aesthetics - reduced opportunity for vandalism
- Door Weight 75 kg
- Designed for light to medium duty installations
- Tested to withstand 500,000 closing cycles
- The precision engineered chain ensures smooth and lasting service

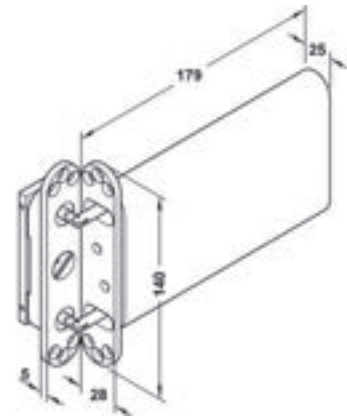
Finish	Article No.
Brass Polished	931.90.408
Chrome Polished	931.90.422
Chrome Matt	931.90.424

Special Order

We reserve the right to alter specifications without notice (HIN Architectural Hardware 2015).

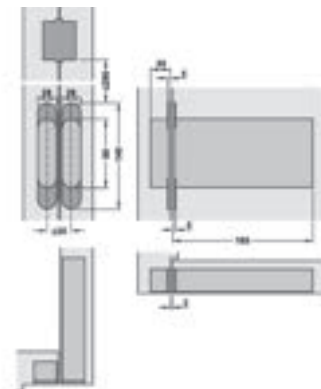
POWERMATIC - Jamb concealed Door Closer

EN 1154



Technical Data :

- Fits in regular thickness 13/4" doors
- CE Marked, controlled, concealed hydraulic door closer
- Fire tested for 90 minutes fire doors
- Door Weight 80 kg
- Endurance tested to 500,000 closing cycles
- 10 year guarantee
- Adjustable closing speed and power latching action
- Fits in regular thickness 13/4" doors



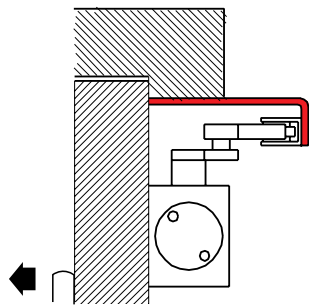
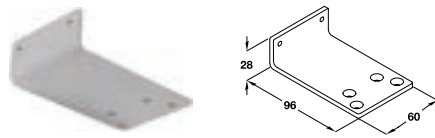
Finish	Article No.
Brass Polished	931.90.438
Chrome Polished	931.90.432
Satin Chrome	931.90.434

Special Order

We reserve the right to alter specifications without notice (HIN Architectural Hardware 2015).

Accessories

Parallel arm bracket

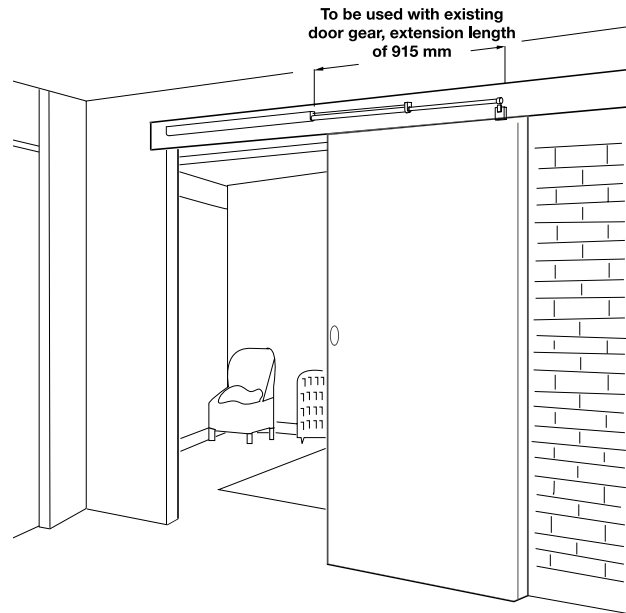
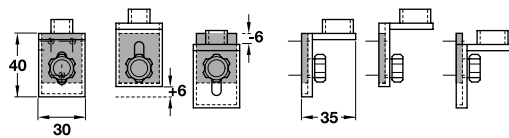
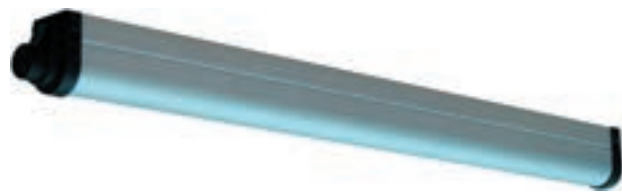


4

Version	Finish	Article No.
For DCL 11/DCL 15/DCL 51	Silver coloured	931.84.900

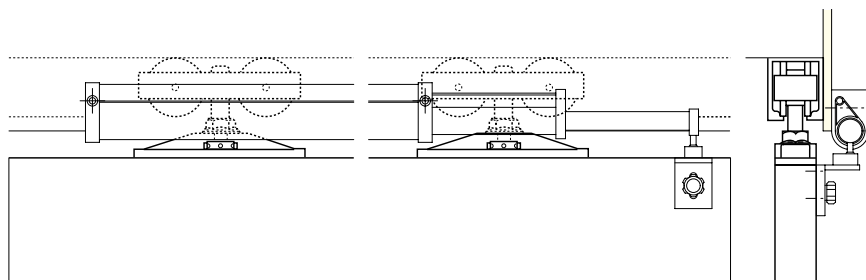
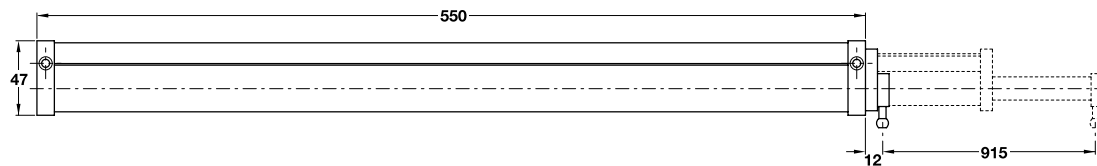
Special Order

Overhead sliding door closer for lightweight sliding doors



Features

- Surface mounted sliding door closer, for lightweight doors only, with closing speed and closing power adjustment
- Suitable for door sizes: 590–900mm
- Door opens lightly and closes automatically
- Shuts out noise, gases, dust etc. saves energy
- For timber or metal doors
- Max. door weight per leaf: 40kg



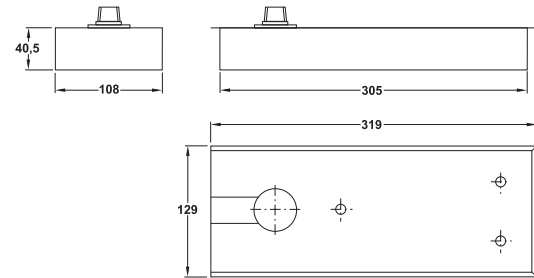
Version	Article No.
For existing sliding door systems	931.85.009

Special Request

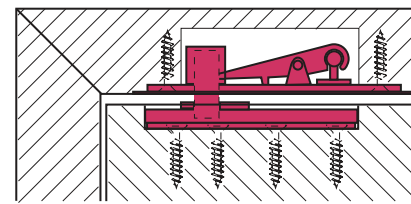
We reserve the right to alter specifications without notice (HIN Architectural Hardware 2015).

FS 2100 Floor Spring with 90 Hold open **StarTec**

EN 1154



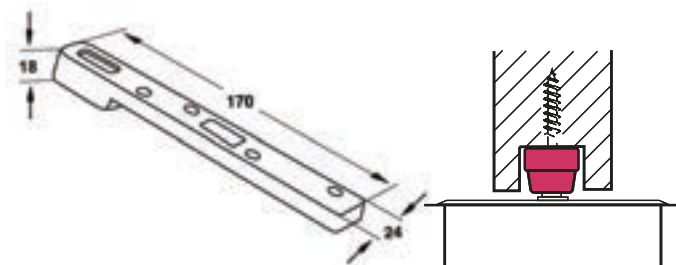
Double Action Top Centre



4



Double Action Bottom strap



- Cover Plate in Satin Stainless Steel
Tested for 500,000 cycles
 - Finish: St. Steel Cover
- Technical Data :**
- Maximum Door Weight 120kg (for size 4)
 - Floor Spring Mechanism with Cover

Door Width	Size		Article No.
750-850mm	2		932.79.020
850-1000mm	3	<input checked="" type="checkbox"/>	932.79.030
1000-1200mm	4		932.79.040

Wooden Door Accessories

Description	Article No.
Double action accessories for Floor Spring suitable for timber doors	932.79.090

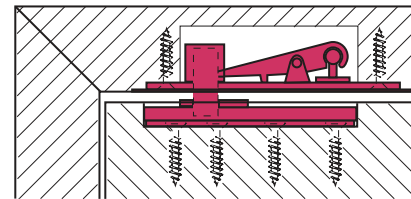
We reserve the right to alter specifications without notice (HIN Architectural Hardware 2015).

300 kg Floor Spring with 90° Hold open **StarTec**

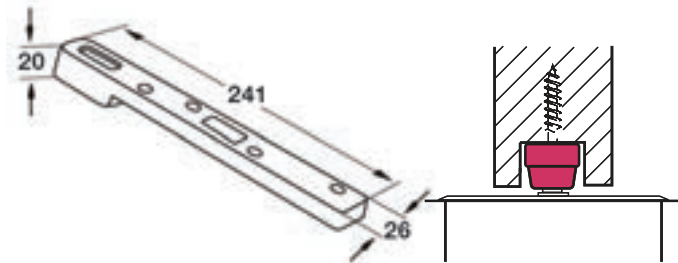
EN 1154



Double Action Top Centre



Double Action Bottom strap



4

- Cover Plate in Satin Stainless Steel
Tested for 500,000 cycles
- Finish: St. Steel Cover

Technical Data :

- Maximum Door Weight 300kg (for size 5&6)
- Floor Spring Mechanism with Cover

Supplied with:

- Double action accessories for wooden doors

Door Width	Size	Article No.
1400 mm	5-6	932.79.170

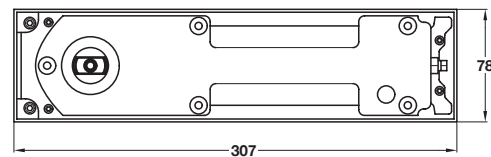
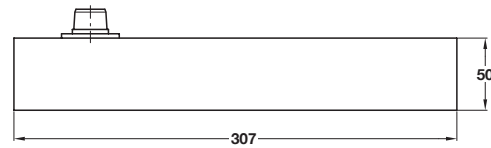
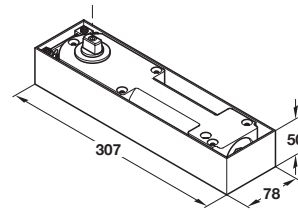
Special Order

Wooden Door Accessories

Description	Article No.
Double action accessories for Floor Spring (300 kg) suitable for timber doors	932.79.09004

We reserve the right to alter specifications without notice (HIN Architectural Hardware 2015).

**FS 6100 Heavy Duty Floor Spring
(for 600 kg)**



Special Features :

- Cam & Roller Mechanism
- Unique guidance system ensures doors always return to centre position in double action
- High Efficiency
- Easy operation and good holding forces
- Suitable for doors upto 400kg (Single Action) and 600kg (Double Action)
- Maximum Door Width - 1400mm from Pivot Point

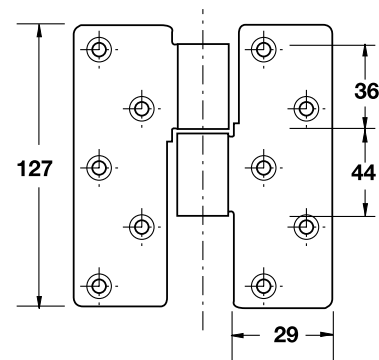
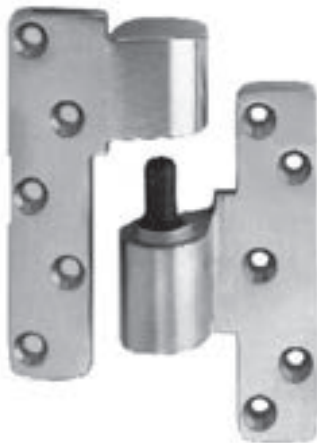
Construction

- Cast Iron Body for Heavy Duty Performance
- Stainless Steel & Steel Precision Manufactured Internal Components

Finish	Article No.
St. Steel Cover without hold open	932.86.000
St. Steel Cover with hold open	932.86.031
Supplied with Standard Double Action Accessories	

4

Intermediate pivot



Feature

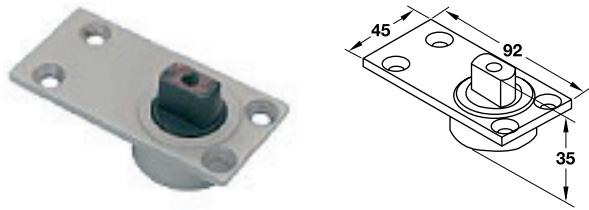
- For using in combination with floor spring
- To prevent bending of very high doors
- Top pivot arm and floor spring arm need to be aligned with the hinge center by an offset of 16mm
- Material: Aluminium

Version	Article No.
DIN left hand	926.51.009
DIN right hand	926.51.019

Special Order

We reserve the right to alter specifications without notice (HIN Architectural Hardware 2015).

Pivot bearing



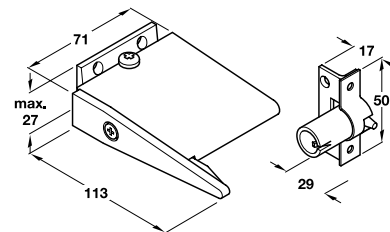
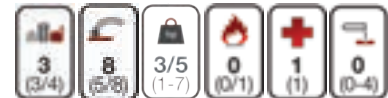
Material/finish	Article No.
Stainless steel matt	932.86.920

Special Order

Door selector



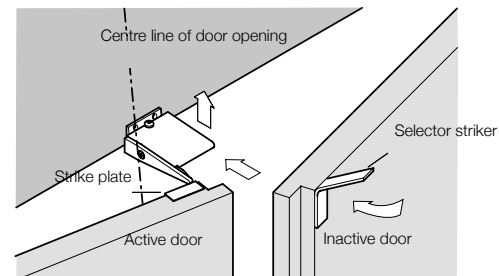
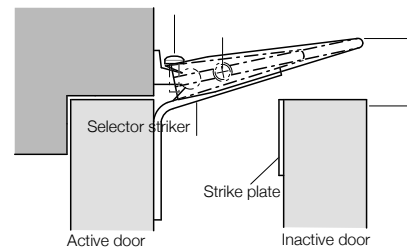
EN 1158



Features

- Face fixing pattern, not suitable for external use
- Enables a pair of rebated meeting stile doors to close in the correct sequence automatically
- Suitable for doors up to 1,200 mm wide and any standard door thickness or rebated depth
- Tested and approved to EN 1158: 1997
- Including trip catch to prevent misaligned rebates in certain circumstances

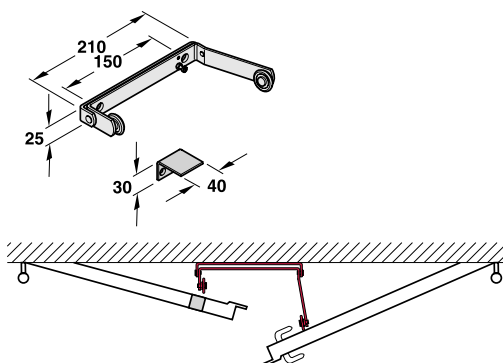
Body adjustment screw Clamp arm adjustment screw



Material/finish	Article No.
Aluminium silver anodized	931.95.909

Special Order

Door co-ordinator StarTec



Features

- In connection with door closer
- For double-leaf doors
- Ensures the correct closing sequence of both doors
- Suitable for DIN right hand and DIN left hand
- Installation on the door frame

Finish	Article No.
Chrome plated	931.97.902

Special Order

We reserve the right to alter specifications without notice (HIN Architectural Hardware 2015).

5

Glass Door Fittings





Patch & Point Fittings



Patch fitting.....5.4
 Point fitting5.27

Glass Door Fittings



Locking Patch Startec.....5.35
 Handles for locking patch Startec.....5.48

Self-Lock Glazing System™



SinglePro.....5.51

Shower Cubicle Fittings & Glass Door Accessories



Shower Hinges.....5.53
 Glass Connectors.....5.62
 Glass Door Seals.....5.67
 Glass Door Handles & Knobs.....5.69
 Shower Header Bars & Accessories.....5.73

Glass Door Locks



Forma Knob set for glass doors.....5.75
 Sliding glass door lock.....5.77
 Flush pull handles.....5.78
 WC Indicator lock.....5.82



Patch Fittings

Häfele's range of Patch Fittings, consisting of a wide array of basic types and variants, enables conception of glass assemblies that suit your ideas of functionality. Häfele's Range of Patch Fittings not only makes the glass assemblies look visually striking but also technically sound. Häfele Engineering that powers this range guarantees impeccable fracas-free performance reliability. The elegant stainless steel finish (Matt and Polished) of the patch fittings augments the aesthetics thus enhancing their inherent versatility. These patch fittings are suitable for a glass door thickness of 8-15mm and provide for widely differing arrangements - with corner fittings at different angles, with top or bottom lock fittings and with double or single action door fittings in single-leaf or double-leaf designs.

Point Fittings

Point Fittings like patch fittings can be easily individualised by their distinctive designs. Häfele's range of point fittings, with its inimitable and state-of-the-art designs, allows for complete artistic flexibility. They surpass the functional element of hanging the glass assembly and move on to becoming a true design highlight. Häfele's range of Point Fittings is made of Stainless Steel 304 grade thus ensuring outstanding quality and superior functionality. The Point Fittings are suitable for a glass door thickness of 10-12mm and provide for a variety of diverse applications - for single and double leaf doors.

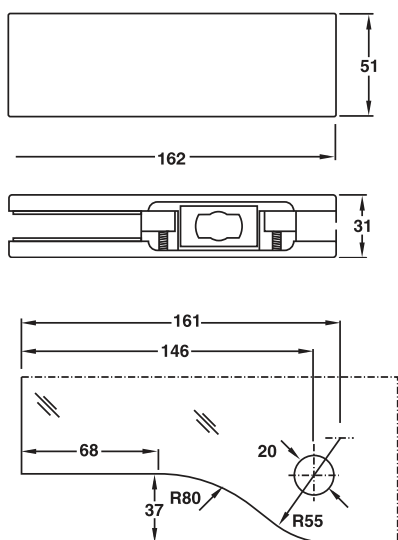
Glass Door Locks

Häfele's collection of glass door locks offers meticulousness and dependability together with visual elegance. Its contemporary designs together with exceptional functionality ensure the fulfillment of all practical and aesthetic requirements. Häfele's range of glass door locks includes locks designed for single and double doors as well as sliding glass doors. Depending on your sensibilities, preferences and ease of installation you can choose locks that require a glass cutout or the ones that don't (they can be simply clamped). These locks are made up of either Stainless Steel Grade 304 or Brass thereby ensuring high security standards.

Shower Fittings & Accessories

Apart from its comprehensive range of Glass Fittings, Häfele also extends its core competence in hardware through its efficient and professional range of shower cubicle fittings and accessories. Through this complete solution-based range, you are likely to find every possible fitting that is required to provide actuation to your ideal shower cubicle. Be it a host of shower cubicle hinges available in different opening angles or clamps and over-head bars & connectors, you can choose the best package to create frameless glass shower enclosures. To complete this range of shower cubicle fittings, we offer to you accessories like seals, towel bars with handles and door knobs that are available in uniform finishes and match up to the same quality standards offered by the rest of our range.

Hafele bottom patch fitting for double action doors - SSS **StarTec**



Features

- For glass thickness 10-12mm
- Suitable for DIN left hand and DIN right hand
- For double action doors

Technical data

- Max. door weight: 80kg
- Max. door leaf width: 1,100mm

Installation

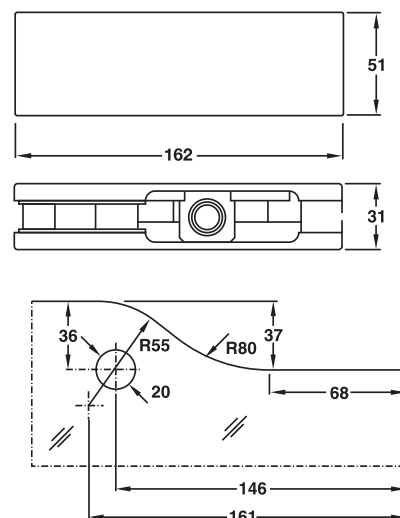
- Clamp fixing, concealed, with hexagon socket screws
- For mounting the glass door, a door spring must be ordered separately

Supplied with

- 1 Bottom patch fitting for double action doors
- 2 Allen keys SW 2 and 5
- 1 Additional gasket for glass thickness 10mm

Finish	Article No.
Aluminium	981.50.010

Hafele top patch fitting for double action doors - SSS **StarTec**



Features

- For glass thickness 10-12mm
- Suitable for DIN left hand and DIN right hand
- For double action doors

Technical data

- Max. door weight: 80kg
- Max. door leaf width: 1,100mm

Installation

- Clamp fixing, concealed, with hexagon socket screws

Supplied with

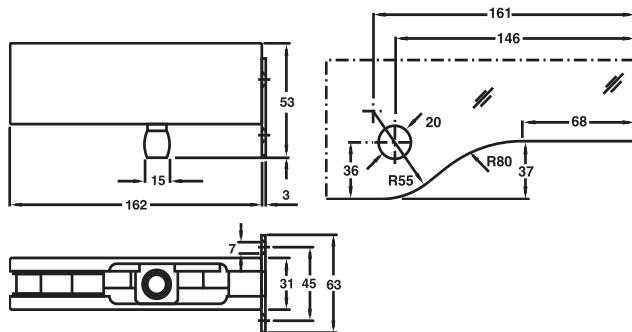
- 1 Top patch fitting for double action doors
- 2 Allen keys SW 2 and 5
- 1 Additional gasket for glass thickness 10mm

Finish	Article No.
Aluminium	981.50.020

5

We reserve the right to alter specifications without notice (HIN Architectural Hardware 2015).

Hafele fanlight pivot patch fitting for wall fixing - SSS **StarTec**



Features

- Counter bearing for top patch fitting
- For glass thickness 10-12mm
- Suitable for DIN left hand and DIN right hand

Technical data

- Pivot laterally adjustable ± 3 mm

Installation

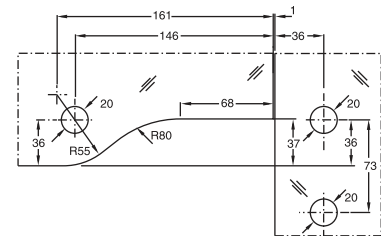
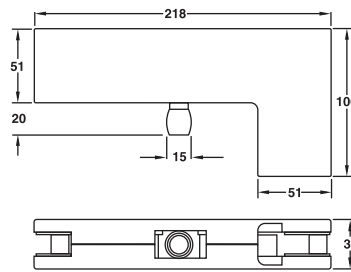
- Clamp fixing, concealed, with hexagon socket screws

Supplied with

- 1 Fanlight pivot patch fitting with wall fixing plate
 - 2 Allen keys SW 2 and 5
 - 1 Additional gasket for glass thickness 10mm
- Fixing material

Finish	Article No.
Aluminium	981.50.050

Hafele fanlight/slide panel patch fitting - SSS **StarTec**



Features

- Counter bearing for top patch fitting
- For glass thickness 10-12mm
- Suitable for DIN left hand and DIN right hand

Technical data

- Pivot laterally adjustable ± 3 mm

Installation

- Clamp fixing, concealed, with hexagon socket screws

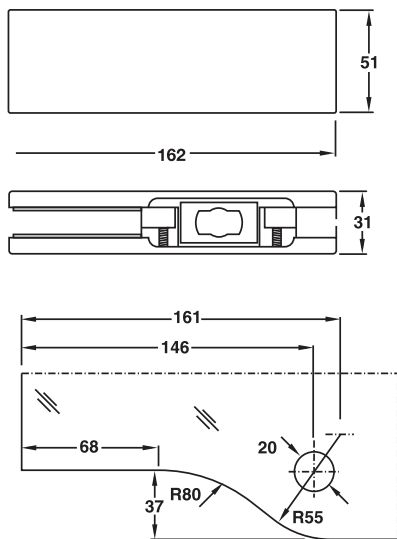
Supplied with

- 1 Fanlight/side panel pivot patch fitting
- 2 Allen keys SW 2 and 5
- 1 Additional gasket for glass thickness 10mm

Finish	Article No.
Aluminium	981.50.040

We reserve the right to alter specifications without notice (HIN Architectural Hardware 2015).

Hafele bottom patch fitting for double action doors StarTec



Features

- For glass thickness 10-12mm
- Suitable for DIN left hand and DIN right hand
- For double action doors

Technical data

- Max. door weight: 80kg
- Max. door leaf width: 1,100mm

Installation

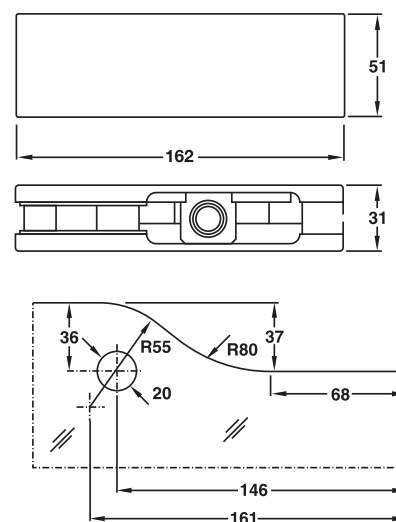
- Clamp fixing, concealed, with hexagon socket screws
- For mounting the glass door, a door spring must be ordered separately

Supplied with

- 1 Bottom patch fitting for double action doors
- 2 Allen keys SW 2 and 5
- 1 Additional gasket for glass thickness 10mm

Finish	Article No.
SS Matt	981.00.000
SS Polished	981.00.001

Hafele top patch fitting for double action doors StarTec



Features

- For glass thickness 10-12mm
- Suitable for DIN left hand and DIN right hand
- For double action doors

Technical data

- Max. door weight: 80kg
- Max. door leaf width: 1,100mm

Installation

- Clamp fixing, concealed, with hexagon socket screws

Supplied with

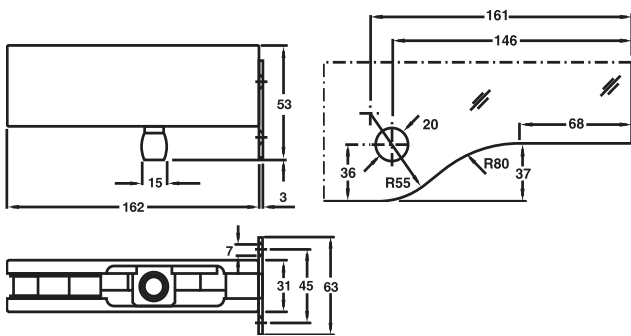
- 1 Top patch fitting for double action doors
- 2 Allen keys SW 2 and 5
- 1 Additional gasket for glass thickness 10mm

Finish	Article No.
SS Matt	981.00.010
SS Polished	981.00.011

5

We reserve the right to alter specifications without notice (HIN Architectural Hardware 2015).

Hafele fanlight pivot patch fitting for wall fixing
StarTec



Features

- Counter bearing for top patch fitting
- For glass thickness 10-12mm
- Suitable for DIN left hand and DIN right hand

Technical data

- Pivot laterally adjustable ± 3 mm

Installation

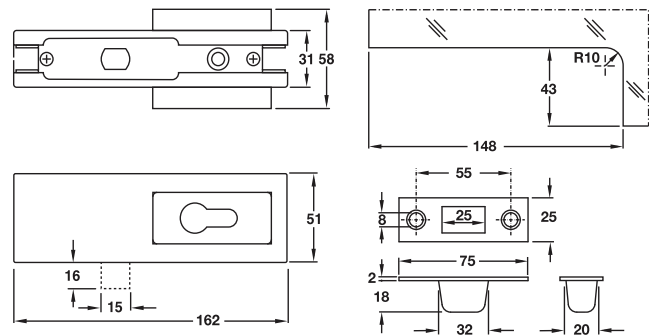
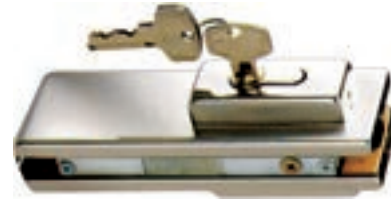
- Clamp fixing, concealed, with hexagon socket screws

Supplied with

- 1 Fanlight pivot patch fitting with wall fixing plate
- 2 Allen keys SW 2 and 5
- 1 Additional gasket for glass thickness 10mm
- Fixing material

Finish	Article No.
SS Matt	981.00.110
SS Polished	981.00.111

Hafele corner patch lock with PC aperture with cylinder
StarTec



Features

- For glass thickness 10-12mm
- Suitable for DIN left hand and DIN right hand
- For profile cylinders

Technical data

- Bolt 1-turn

Installation

- Clamp fixing, concealed, with hexagon socket screws

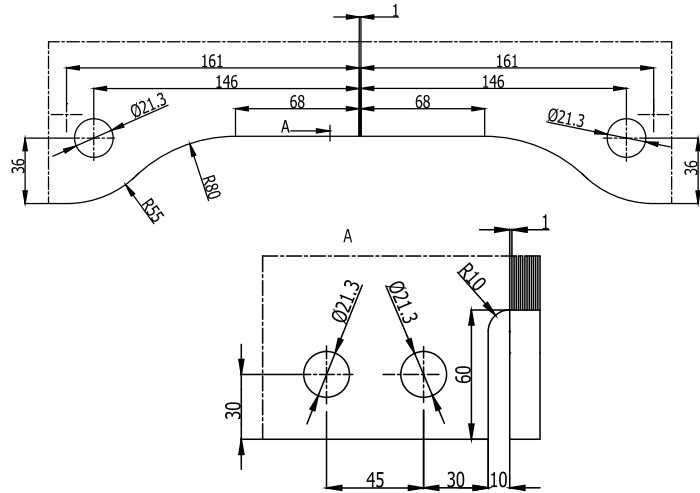
Supplied with

- 1 Corner patch lock with PC aperture
- 2 Allen keys SW 2 and 5
- 1 Striking plate with fixing material
- 1 Fixing screw for profile cylinder
- 1 Additional gasket for glass thickness 10mm

Finish	Article No.
SS Matt	981.00.480
SS Polished	981.00.401

We reserve the right to alter specifications without notice (HIN Architectural Hardware 2015).

Top Pivot for doors with fixed glass panel on top & side for 10 & 12 glass - **StarTec**



Features

- Counter bearing for top patch fitting
- For glass thickness 10–12mm

Technical data

- Pivot laterally adjustable ± 3 mm

Installation

- Clamp fixing, concealed, with hexagon socket screws

Supplied with

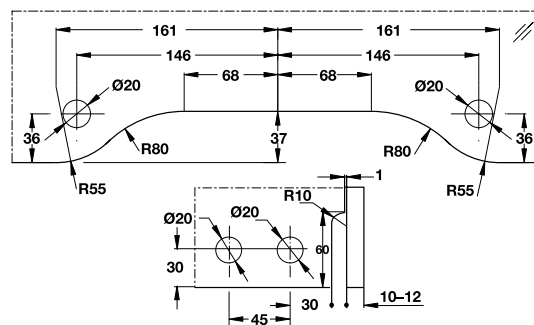
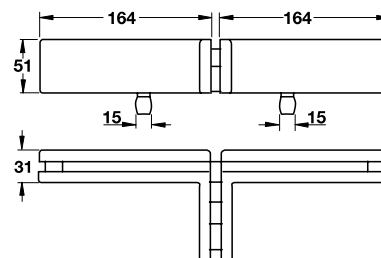
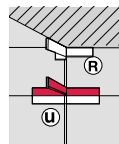
- 1 Fanlight/fin panel double pivot patch fitting
- 2 Allen keys SW 2 and 5
- 1 Additional gasket for glass thickness 10mm

Finish	Article No.
SS Matt	981.07.100
SS Polished	981.07.101

Special Request

Fanlight/fin panel double pivot patch fitting StarTec

5



Features

- Counter bearing for top patch fitting
- For glass thickness 10–12mm

Technical data

- Pivot laterally adjustable ± 3 mm

Installation

- Clamp fixing, concealed, with hexagon socket screws

Supplied with

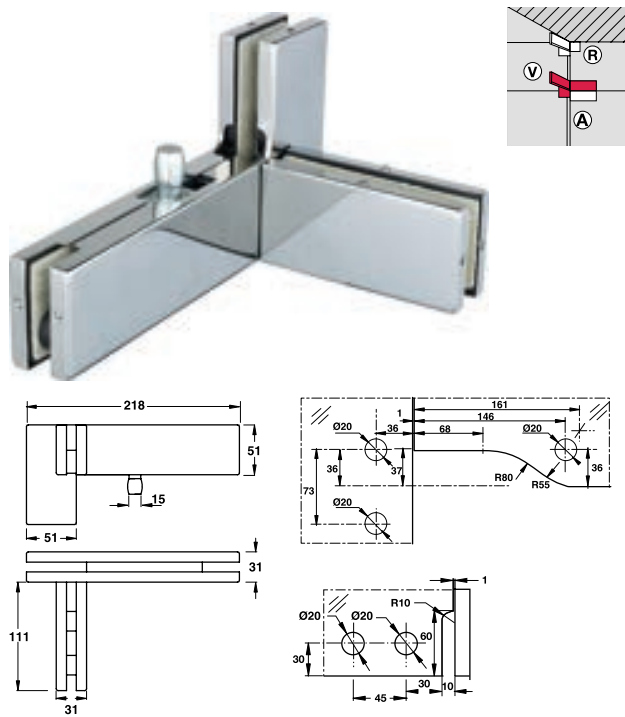
- 1 Fanlight/fin panel double pivot patch fitting
- 2 Allen keys SW 2 and 5
- 1 Additional gasket for glass thickness 10mm

Material/finish	Article No.
SS matt (304)	981.00.150
SS polished (304)	981.00.151

Special Offer

We reserve the right to alter specifications without notice (HIN Architectural Hardware 2015).

Fanlight/side/fin panel pivot patch fitting StarTec



Features

- Counter bearing for top patch fitting
- For glass thickness 10–12mm

Technical data

- Pivot laterally adjustable ±3mm

Installation

- Clamp fixing, concealed, with hexagon socket screws

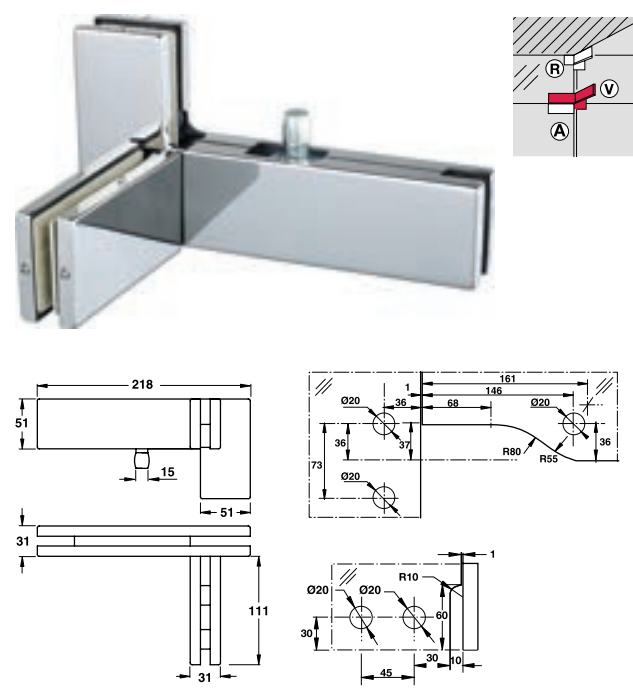
Supplied with

- 1 Fanlight/side/fin panel pivot patch fitting
- 2 Allen keys SW 2 and 5
- 1 Additional gasket for glass thickness 10mm

Material/finish	Article No.
Left hand	
SS matt (304)	981.00.050
SS polished (304)	981.00.051

Special Order

Fanlight/side/fin panel pivot patch fitting StarTec



Features

- Counter bearing for top patch fitting
- For glass thickness 10–12mm

Technical data

- Pivot laterally adjustable ±3mm

Installation

- Clamp fixing, concealed, with hexagon socket screws

Supplied with

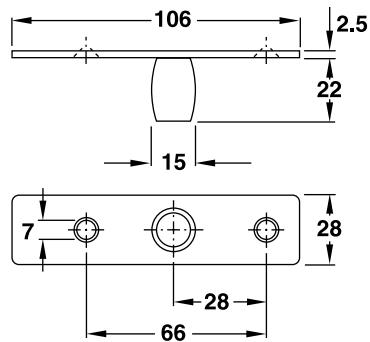
- 1 Fanlight/side/fin panel pivot patch fitting
- 2 Allen keys SW 2 and 5
- 1 Additional gasket for glass thickness 10mm

Material/finish	Article No.
Right hand	
SS matt (304)	981.00.040
SS polished (304)	981.00.041

Special Order

We reserve the right to alter specifications without notice (HIN Architectural Hardware 2015).

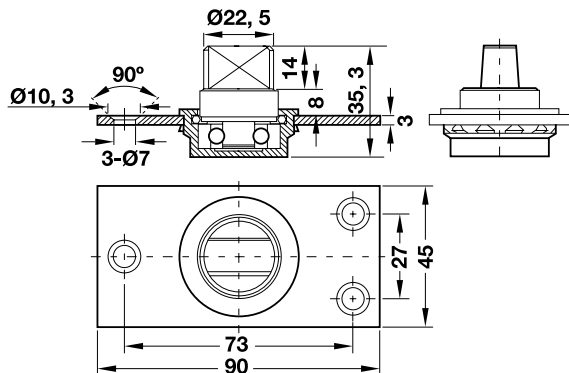
Top Pivot with Stainless Steel Plate for Glass Doors with Wooden Fixed Panel on Top - **StarTec**



Finish	Article No.
SS matt	981.07.280

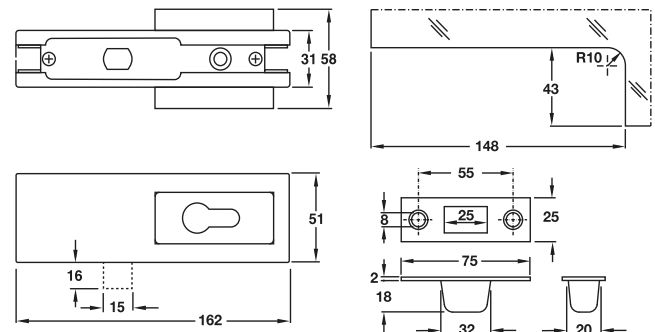
5

Floor Pivot with Bearing



Finish	Article No.
SS matt	981.07.290

Hafele corner patch lock with PC aperture with cylinder - SSS **StarTec**



Features

- For glass thickness 10–12mm
- Suitable for DIN left hand and DIN right hand
- For profile cylinders
- Bolt 1-turn

Installation

- Clamp fixing, concealed, with hexagon socket screws

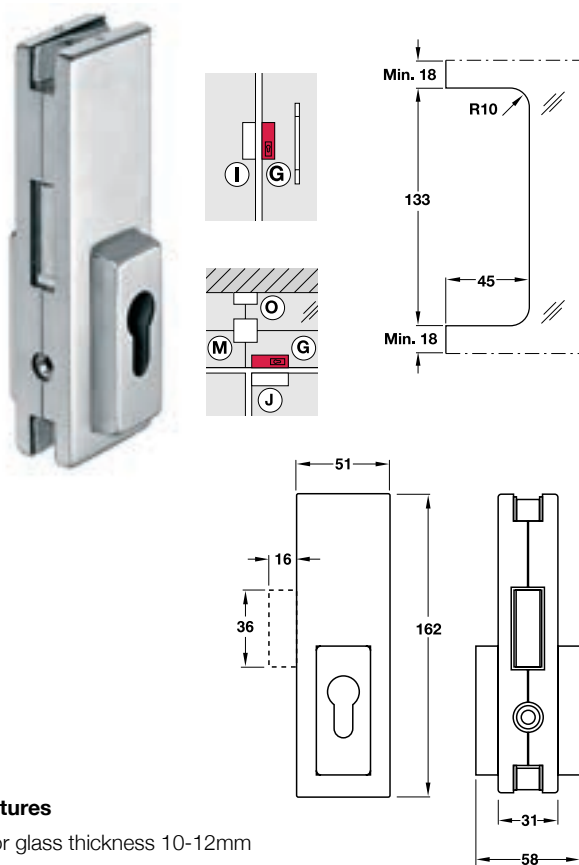
Supplied with

- 1 Corner patch lock with PC aperture
- 2 Allen keys SW 2 and 5
- 1 Striking plate with fixing material
- 1 Fixing screw for profile cylinder
- 1 Additional gasket for glass thickness 10mm

Finish	Article No.
Aluminium	981.50.030

We reserve the right to alter specifications without notice (HIN Architectural Hardware 2015).

Centre patch lock with PC aperture StarTec



Features

- For glass thickness 10-12mm
- Suitable for DIN left hand and DIN right hand
- For profile cylinders (please order separately)
- Bolt 1-turn

Installation

- Clamp fixing, concealed, with hexagon socket screws

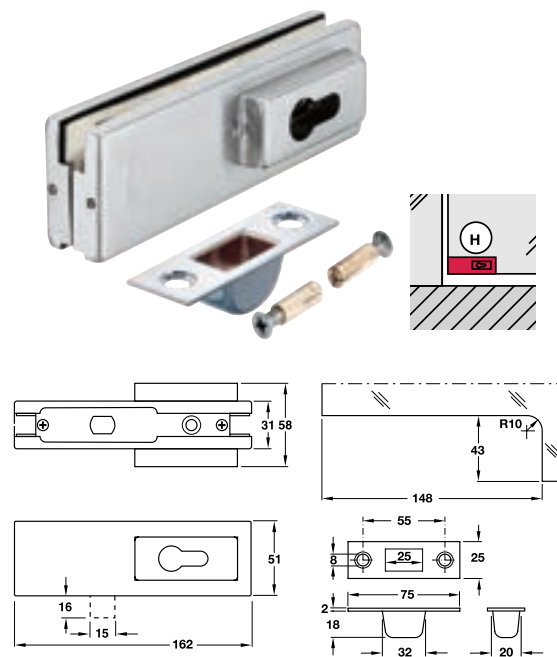
Supplied with

- 1 Centre patch lock with PC aperture
- 2 Allen keys SW 2 and 5
- 1 Fixing screw for profile cylinder
- 1 Additional gasket for glass thickness 10mm

Finish	Article No.
SS matt (304)	981.00.410
SS polished (304)	981.00.411

Special Request

Corner patch lock with PC aperture StarTec



Features

- For glass thickness 10-12mm
- Suitable for DIN left hand and DIN right hand
- For profile cylinders (please order separately)
- Bolt 1-turn

Installation

- Clamp fixing, concealed, with hexagon socket screws

Supplied with

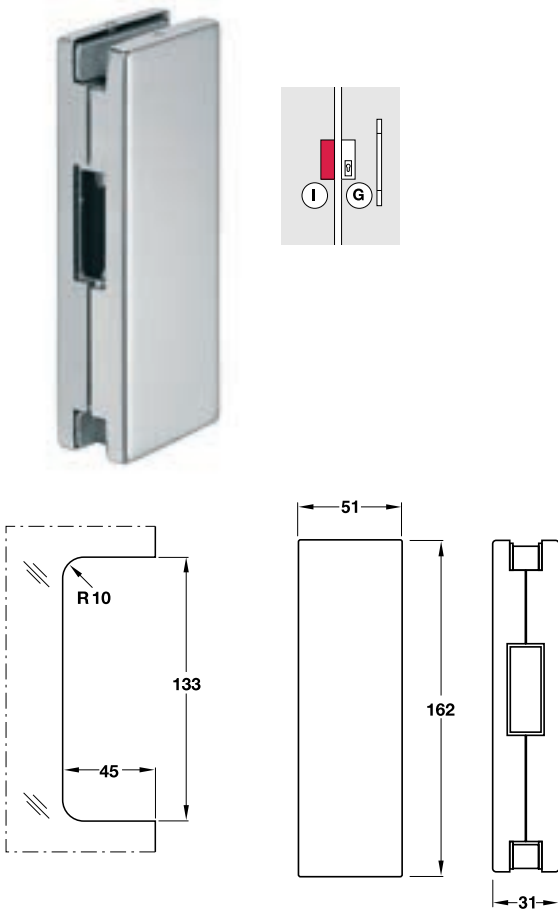
- 1 Corner patch lock with PC aperture
- 2 Allen keys SW 2 and 5
- 1 Striking plate with fixing material
- 1 Fixing screw for profile cylinder
- 1 Additional gasket for glass thickness 10mm

Finish	Article No.
SS matt (304)	981.00.400
SS polished (304)	981.00.401

Special Request

We reserve the right to alter specifications without notice (HIN Architectural Hardware 2015).

Centre strike patch for centre lock StarTec



Features

- For glass thickness 10–12mm
- Suitable for DIN left hand and DIN right hand

Installation

- Clamp fixing, concealed, with hexagon socket screws

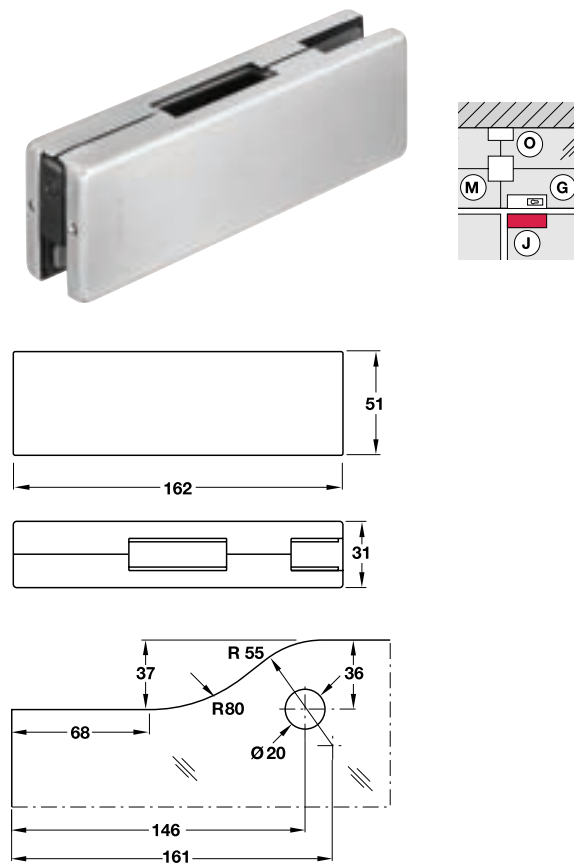
Supplied with

- 1 Centre strike patch for centre lock
- 2 Allen keys SW 2 and 5
- 1 Additional gasket for glass thickness 10mm

Finish	Article No.
SS matt (304)	981.00.420
SS polished (304)	981.00.421

Special Request

Over panel strike patch for corner lock StarTec



Features

- For glass thickness 10–12mm
- Suitable for DIN left hand and DIN right hand

Installation

- Clamp fixing, concealed, with hexagon socket screws

Supplied with

- 1 Over panel strike patch for centre lock
- 2 Allen keys SW 2 and 5
- 1 Additional gasket for glass thickness 10mm

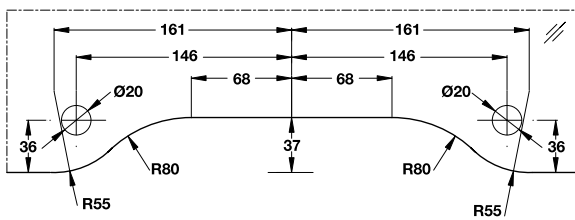
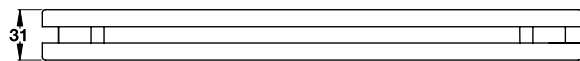
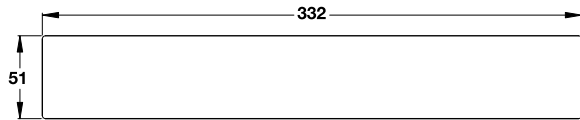
Finish	Article No.
SS matt (304)	981.00.470
SS polished (304)	981.00.471

Special Request

5

We reserve the right to alter specifications without notice (HIN Architectural Hardware 2015).

Fanlight double strike patch for corner
lock StarTec



Features

- For glass thickness 10–12mm

Installation

- Clamp fixing, concealed, with hexagon socket screws

Supplied with

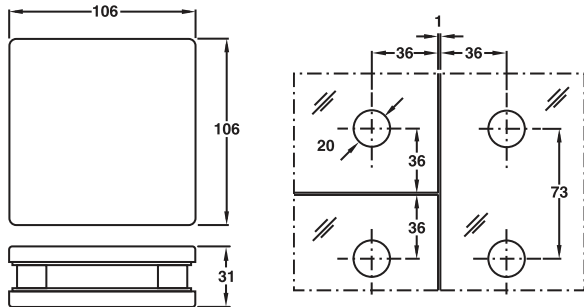
- 1 Fanlight double strike patch for corner lock
- 2 Allen keys SW 2 and 5
- 1 Additional gasket for glass thickness 10mm

Material/finish	Article No.
SS matt (304)	981.00.160
SS polished (304)	981.00.161

Special Offer

We reserve the right to alter specifications without notice (HIN Architectural Hardware 2015).

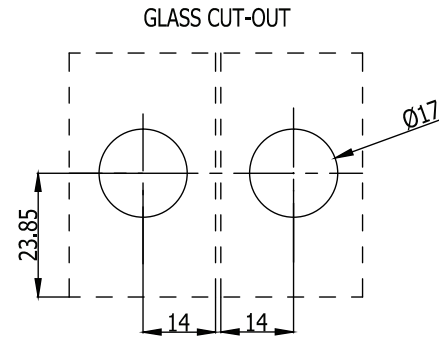
Top Patch for Connecting 2 or 4 Glass Panels for 10 or 12mm Glass



Finish	Article No.
SS matt	981.00.120
SS Polished	981.00.121

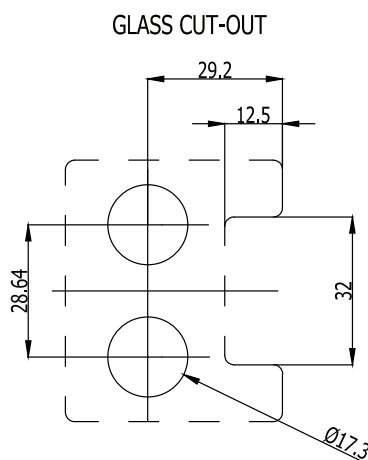
Special Request

Glass Clamp for Joining Over Panels & Side Panels to reduce Flexing for 10 or 12mm Glass



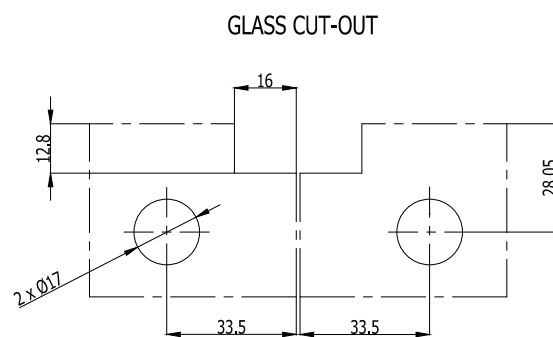
Finish	Article No.
SS matt	981.07.170
SS polished	981.07.171

Side Connector for Holding Fixed Panels or Support Fin Bracket for 10 or 12mm Glass



Finish	Article No.
SS matt	981.07.160
SS polished	981.07.161

Side Connector for holding Fixed Panels or Support Fin Bracket for 10 or 12mm Glass

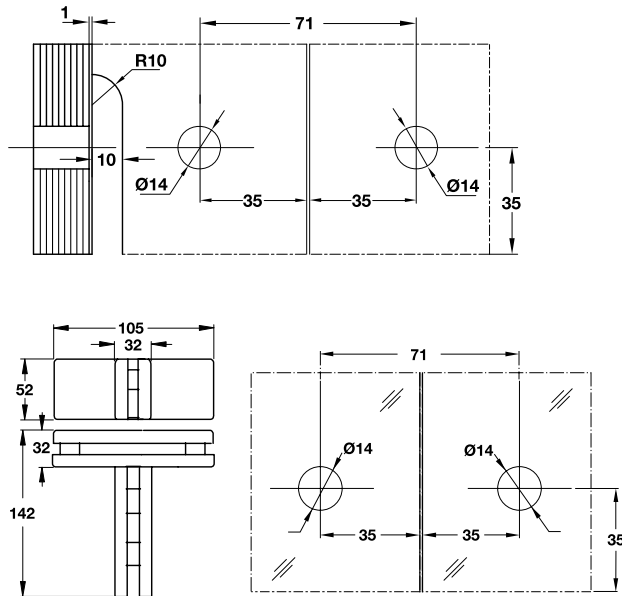


Finish	Article No.
SS matt	981.07.180
SS polished	981.07.181

5

We reserve the right to alter specifications without notice (HIN Architectural Hardware 2015).

Side/fin panel patch fitting StarTec



Features

- For glass thickness 10-12mm

Installation

- Clamp fixing, concealed, with hexagon socket screws

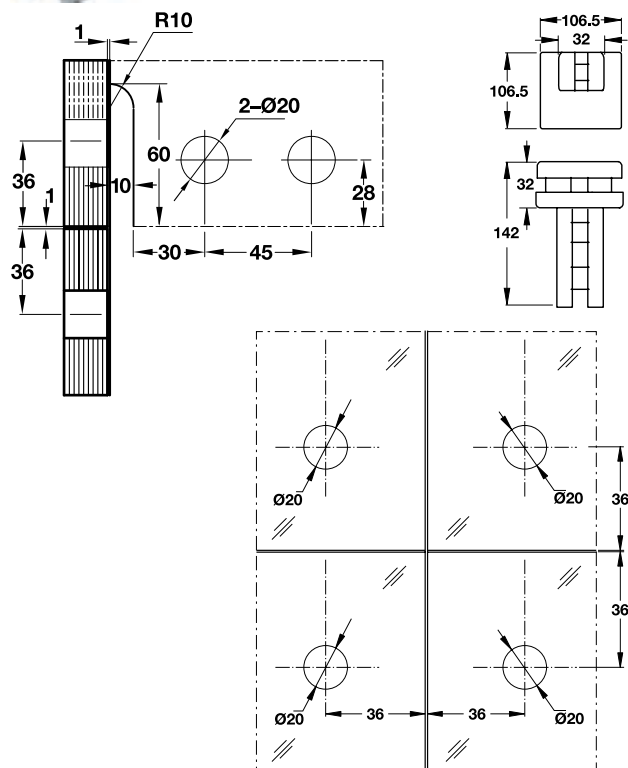
Supplied with

- 1 Side/fin panel patch fitting
- 2 Allen keys SW 2 and 5
- 1 Additional gasket for glass thickness 10mm

Material/finish	Article No.
SS matt (304)	981.00.070
SS polished (304)	981.00.071

Special Order

Side/fin panel patch fitting StarTec



Features

- For glass thickness 10-12mm

Installation

- Clamp fixing, concealed, with hexagon socket screws

Supplied with

- 1 Side/fin panel patch fitting
- 2 Allen keys SW 2 and 5
- 1 Additional gasket for glass thickness 10mm

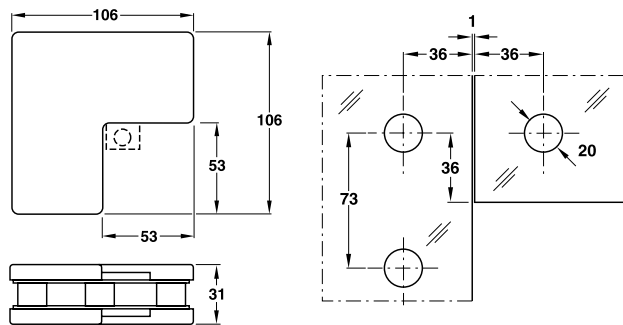
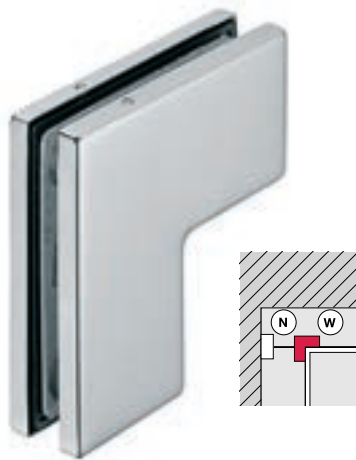
Material/finish	Article No.
SS matt (304)	981.00.190
SS polished (304)	981.00.191

Special Order

We reserve the right to alter specifications without notice (HIN Architectural Hardware 2015).

5

Fanlight/side panel connection patch fitting StarTec



Features

- For glass thickness 10-12mm
- Optional with door buffer
- Suitable for DIN left hand and DIN right hand

Installation

- Clamp fixing, concealed, with hexagon socket screws

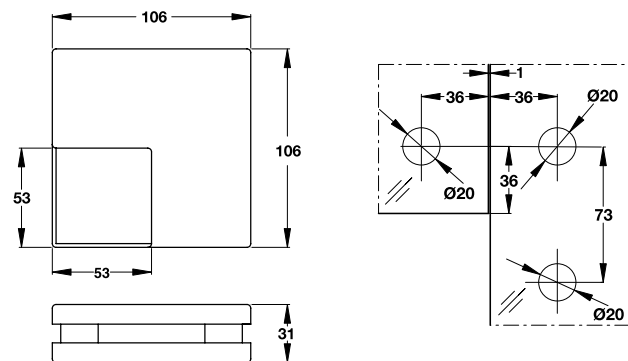
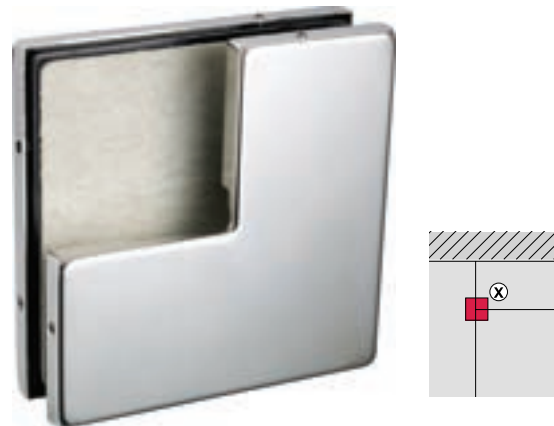
Supplied with

- 1 Fanlight/side panel connection patch fitting
- 2 Allen keys SW 2 and 5
- 1 Additional gasket for glass thickness 10mm
- 1 Insert door buffer
- 2 Blind insert profiles

Material/finish	Article No.
SS matt (304)	981.00.060
SS polished (304)	981.00.061

Special Request

Fanlight/side panel connection patch fitting with stop StarTec



Features

- For glass thickness 10-12mm
- Suitable for DIN left hand and DIN right hand

Installation

- Clamp fixing, concealed, with hexagon socket screws

Supplied with

- 1 Fanlight/side panel patch fitting with stop
- 2 Allen keys SW 2 and 5
- 1 Additional gasket for glass thickness 10mm

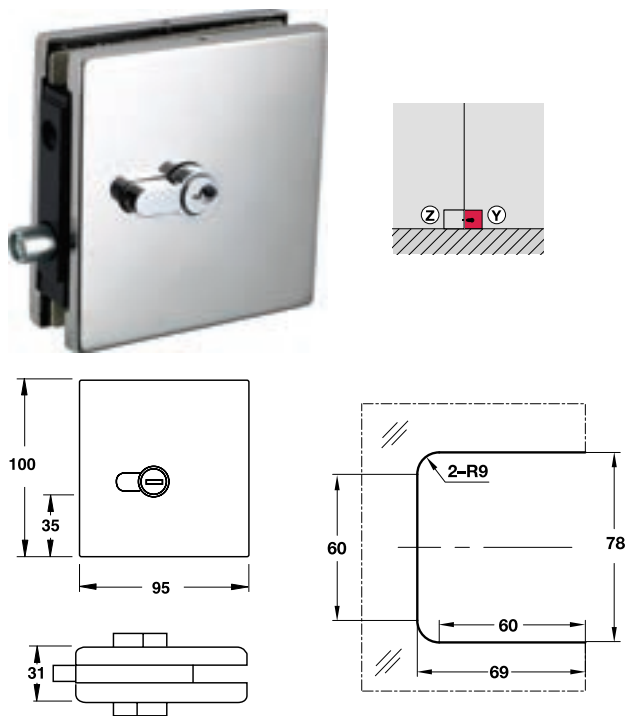
Material/finish	Article No.
SS matt (304)	981.00.100
SS polished (304)	981.00.101

Special Request

5

We reserve the right to alter specifications without notice (HIN Architectural Hardware 2015).

**Corner patch lock square with
PC aperture StarTec**



Features

- For glass thickness 10–12mm
- Suitable for DIN left hand and DIN right hand
- For profile cylinder (please order separately)
- Bolt 1 turn

Installation

- Clamp fixing, concealed, with hexagon socket screws

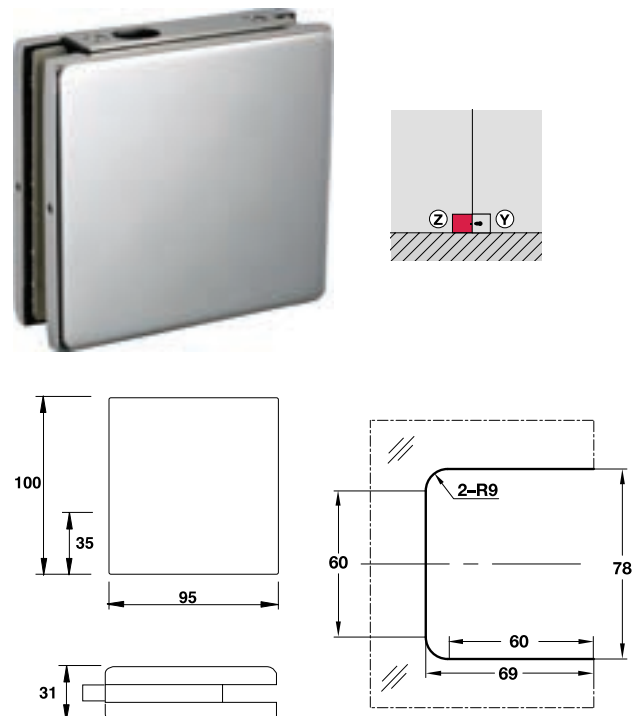
Supplied with

- 1 Corner patch lock square with PC aperture
- 2 Allen keys SW 2 and 5
- 1 Additional gasket for glass thickness 10mm

Finish	Article No.
SS matt (304)	981.00.450
SS polished (304)	981.00.451

Special Request

**Corner strike patch square for
corner lock StarTec**



Features

- For glass thickness 10–12mm
- Suitable for DIN left hand and DIN right hand
- For profile cylinder

Installation

- Clamp fixing, concealed, with hexagon socket screws

Supplied with

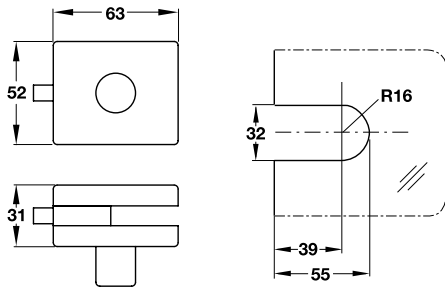
- 1 Corner strike patch square for corner lock
- 2 Allen keys SW 2 and 5
- 1 Additional gasket for glass thickness 10mm

Finish	Article No.
SS matt (304)	981.00.460
SS polished (304)	981.00.461

Special Request

We reserve the right to alter specifications without notice (HIN Architectural Hardware 2015).

Centre patch lock with thumbturn StarTec



Features

- For glass thickness 10-12mm
- Suitable for DIN left hand and DIN right hand

Installation

- Clamp fixing, concealed, with hexagon socket screws

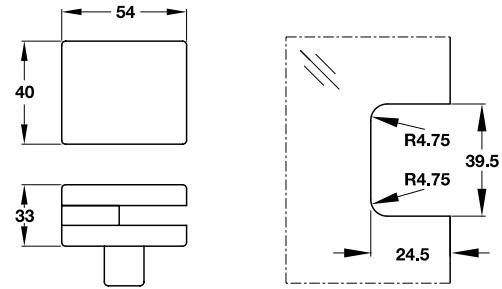
Supplied with

- 1 Centre patch lock with thumb turn
- 2 Allen keys SW 2 and 5
- 1 Additional gasket for glass thickness 10mm

Material/finish	Article No.
SS matt (304)	981.00.430
SS polished (304)	981.00.431

Special Request

Centre strike patch for thumbturn lock StarTec



Features

- For glass thickness 10-12mm
- Suitable for DIN left hand and DIN right hand

Installation

- Clamp fixing, concealed, with hexagon socket screws

Supplied with

- 1 Centre strike patch for thumbturn lock
- 2 Allen keys SW 2 and 5
- 1 Additional gasket for glass thickness 10mm

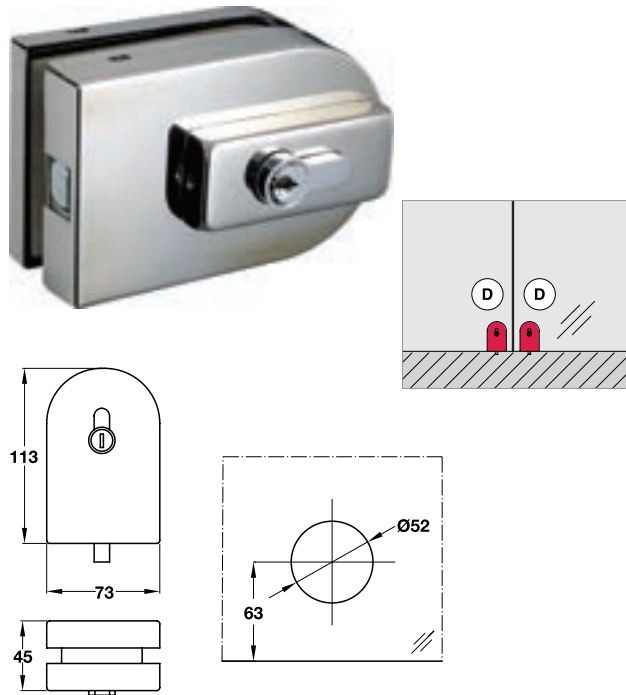
Material/finish	Article No.
SS matt (304)	981.00.440
SS polished (304)	981.00.441

Special Request

5

We reserve the right to alter specifications without notice (HIN Architectural Hardware 2015).

Bottom patch with PC aperture StarTec



Features

- For glass thickness 10-12mm
- Suitable for DIN left hand and DIN right hand
- For profile cylinder (please order separately)
- Bolt 1-turn

Installation

- Clamp fixing, concealed, with hexagon socket screws

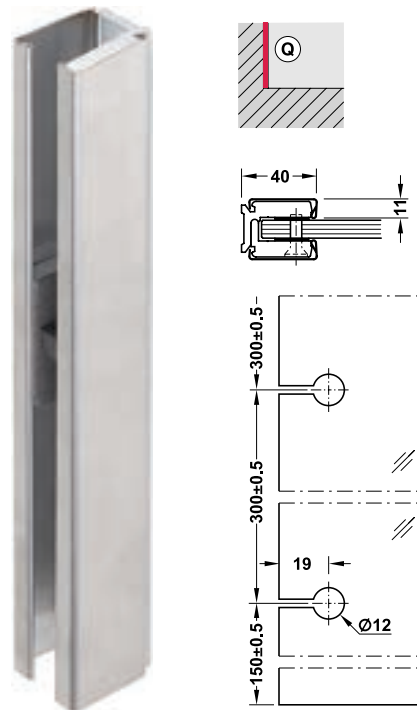
Supplied with

- 1 Bottom patch with PC aperture
- 2 Allen keys SW 2 and 5
- 1 Additional gasket for glass thickness 10mm
- 1 Striking plate with fixing material
- 1 Fixing screw for profile cylinder

Material/Finish	Article No.
SS matt (304)	981.00.630

Special Order

Wall and ceiling connection profile



Features

- For fixed glass with wall/ceiling connection
- For glass thickness 10-12mm

Technical data

- Length: 3,000mm

Installation

- Clamp fixing, concealed, with hexagon socket screws
clamp fixing points every 300mm

Supplied with

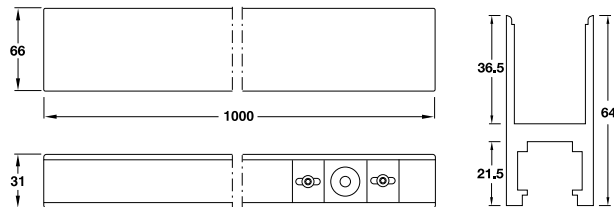
- 1 Clip-on profile
- 2 Covers

Material/Finish	Article No.
Covers stainless steel matt	981.35.210

Special Order

We reserve the right to alter specifications without notice (HIN Architectural Hardware 2015).

Top rail StarTec



Features

- For glass thickness 10-12mm
- Rail can be cut to size
- Suitable for DIN left hand and DIN right hand

Technical data

- Max. door weight: 80kg
- Length: 1,000mm
- Bolt retainer adjustable ± 3 mm

Installation

- Fixing with clamp insert profile and silicone

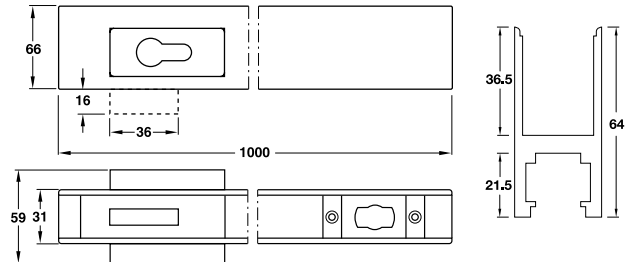
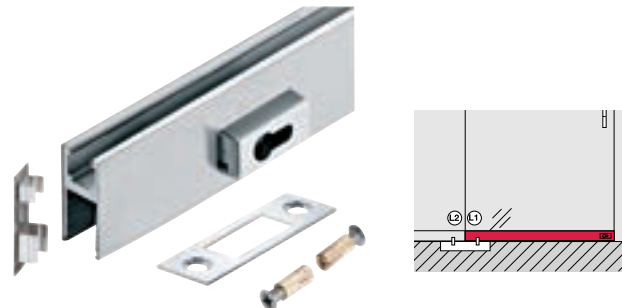
Supplied with

- 1 Top rail
- 2 End caps
- 1 Set of clamp insert profile for glass

Finish	Article No.
SS matt (304)	981.00.252
SS polished (304)	981.00.253

Special Request

Bottom rail with PC aperture StarTec



Features

- For glass thickness 10-12mm
- Rail can be cut to size
- Suitable for DIN left hand and DIN right hand
- For profile cylinders (please order separately)
- Bolt 1-turn

Technical data

- Max. door weight: 80kg
- Length: 1,000mm

Installation

- Fixing with clamp insert profile and silicone

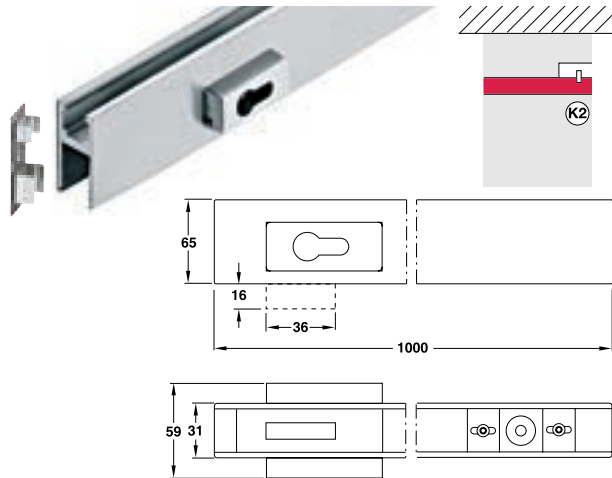
Supplied with

- 1 Bottom rail
- 2 End caps
- 1 Striking plate and profile cylinder with fixing material
- 1 Set of clamp insert profile for glass

Finish	Article No.
SS matt (304)	981.00.200
SS polished (304)	981.00.201

Special Request

Top rail with PC aperture StarTec



Features

- For glass thickness 10–12mm
- Rail can be cut to size
- Suitable for DIN left hand and DIN right hand
- For profile cylinders (please order separately)
- Bolt 1-turn

Technical data

- Max. door weight: 80kg
- Length: 1,000mm
- Bolt retainer adjustable ±3mm

Installation

- Fixing with clamp insert profile and silicone

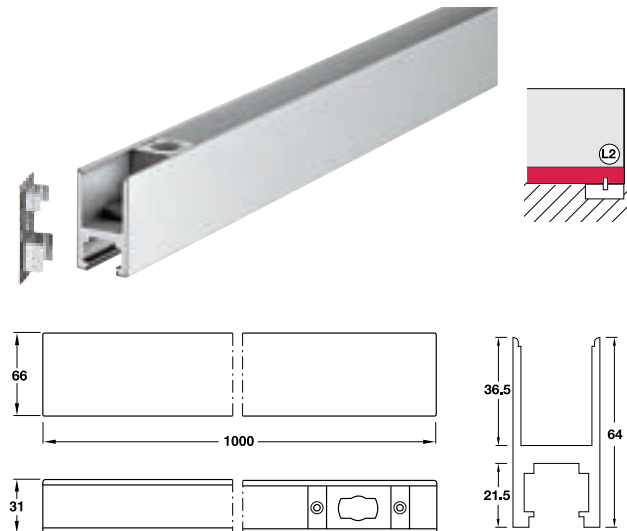
Supplied with

- 1 Top rail with PC aperture
- 2 End caps
- 1 Fixing screw for profile cylinder
- 1 Set of clamp insert profile for glass

Material/finish	Article No.
SS matt (304)	981.00.250
SS polished (304)	981.00.251

Special Order

Bottom rail StarTec



Features

- For glass thickness 10-12mm
- Rail can be cut to size
- Suitable for DIN left hand and DIN right hand

Technical data

- Max. door weight: 80kg
- Length: 1,000mm

Installation

- Fixing with clamp insert profile and silicone

Supplied with

- 1 Bottom rail
- 2 End caps
- 1 Set of clamp insert profile for glass

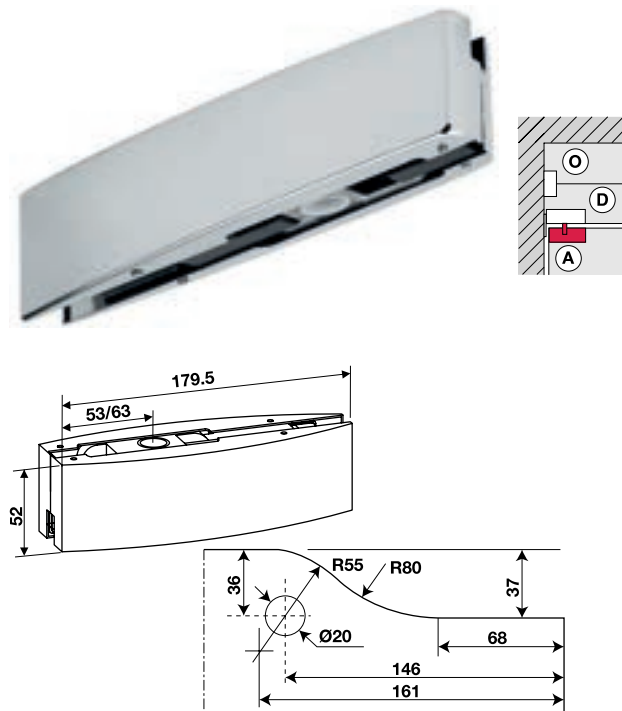
Material/finish	Article No.
SS matt (304)	981.00.202
SS polished (304)	981.00.203

Special Order

We reserve the right to alter specifications without notice (HIN Architectural Hardware 2015).

5

Patch fitting StarTec



Features

- For glass thickness 8-12mm
- Suitable for DIN left hand and DIN right hand
- For double action doors

Technical data

- Max. door weight: 80kg
- Max. door leaf width: 1,100mm

Installation

- Clamp fixing, concealed, with hexagon socket screws

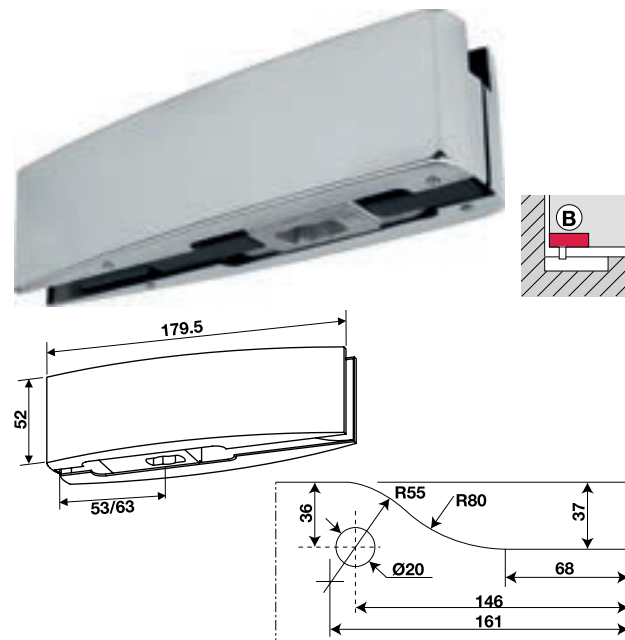
Supplied with

- 1 Top patch fitting for double action doors
- 2 Allen keys SW 2 and 5
- 1 Additional gasket for glass thickness 10mm

Material/Finish	Article No.
SS matt (304)	981.52.680

Special Request

Bottom patch fitting StarTec



Features

- For glass thickness 8-12mm
- Suitable for DIN left hand and DIN right hand
- For double action doors

Technical data

- Max. door weight: 80kg
- Max. door leaf width: 1,100mm

Installation

- Clamp fixing, concealed, with hexagon socket screws
- For mounting the glass door, a door spring must be ordered separately

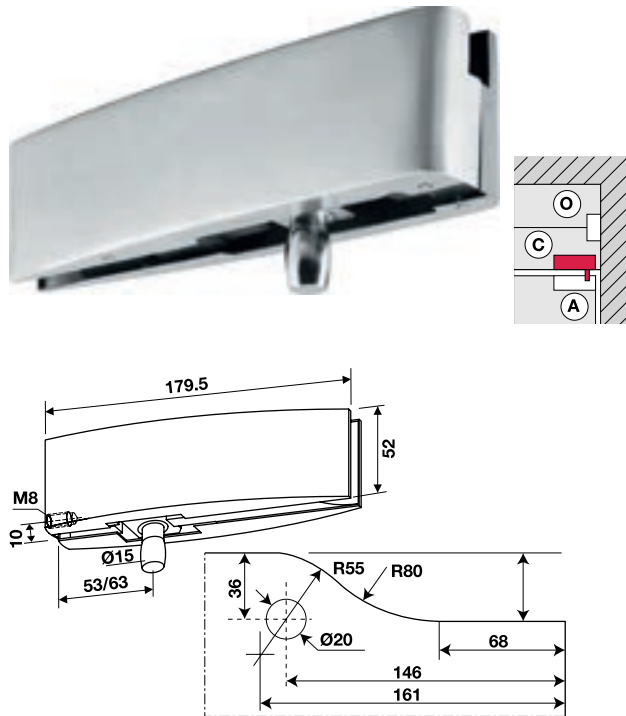
Supplied with

- 1 Bottom patch fitting for double action doors
- 2 Allen keys SW 2 and 5
- 1 Additional gasket for glass thickness 10mm

Material/Finish	Article No.
SS matt (304)	981.52.660

Special Request

Fanlight pivot patch fitting StarTec



Features

- Counter bearing for top patch fitting
- For glass thickness 8-12mm
- Suitable for DIN left hand and DIN right hand

Technical data

- Pivot laterally adjustable ± 3 mm

Installation

- Clamp fixing, concealed, with hexagon socket screws

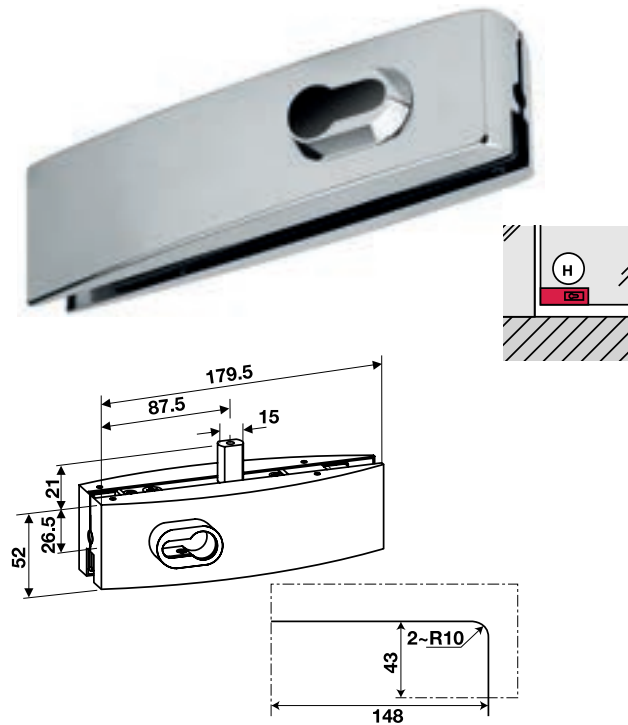
Supplied with

- 1 Fanlight pivot patch fitting
- 2 Allen keys SW 2 and 5
- 1 Additional gasket for glass thickness 10mm
- 1 Brass expansion anchor M8

Material/Finish	Article No.
SS matt (304)	981.52.690

Special Order

Corner patch lock with PC aperture StarTec



Features

- For glass thickness 8-12mm
- Suitable for DIN left hand and DIN right hand
- For profile cylinder (please order separately)
- Bolt 1-turn

Installation

- Clamp fixing, concealed, with hexagon socket screws

Supplied with

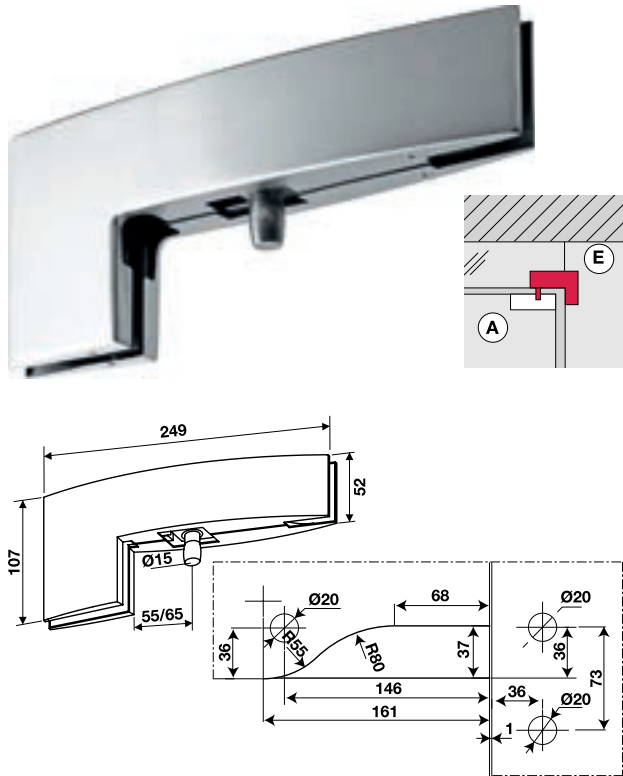
- 1 Corner patch lock with PC aperture
- 2 Allen keys SW 2 and 5
- 1 Striking plate with fixing material
- 1 Fixing screw for profile cylinder
- 1 Additional gasket for glass thickness 10mm

Material/Finish	Article No.
SS matt (304)	981.52.670

Special Order

We reserve the right to alter specifications without notice (HIN Architectural Hardware 2015).

Fanlight/side panel pivot patch fitting StarTec



Features

- Counter bearing for top patch fitting
- For glass thickness 8-12mm
- Suitable for DIN left hand and DIN right hand

Technical data

- Pivot laterally adjustable ± 3 mm

Installation

- Clamp fixing, concealed, with hexagon socket screws

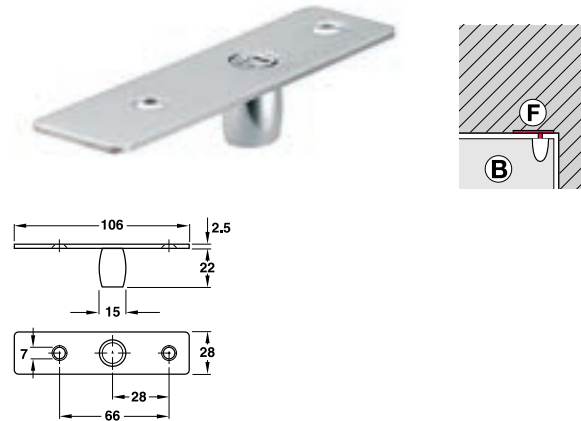
Supplied with

- 1 Fanlight/side panel pivot patch fitting
- 2 Allen keys SW 2 and 5
- 1 Additional gasket for glass thickness 10mm

Material/Finish	Article No.
SS matt (304)	981.52.700

Special Order

Ceiling bearing StarTec



Features

- Counter bearing for top patch fitting
- Suitable for DIN left hand and DIN right hand

Installation

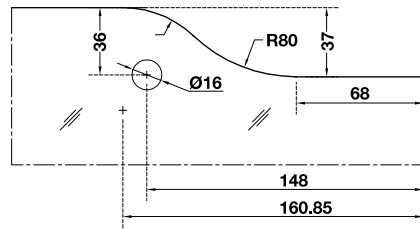
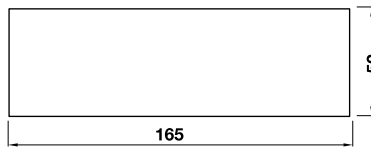
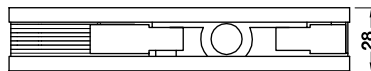
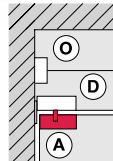
- Screw fixing

Material/Finish	Article No.
SS matt (304)	981.00.080

Special Order

5

Patch fitting StarTec



Features

- For glass thickness 8-15mm
- Suitable for DIN left hand and DIN right hand & DIN right hand
- For double action doors

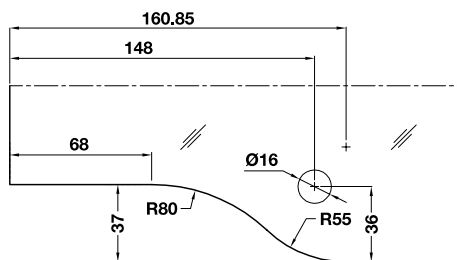
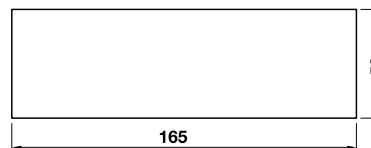
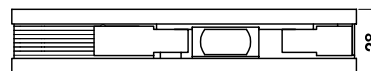
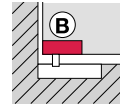
Technical data

- Max. door weight: 120kg
- Max. door leaf width: 1,200mm
- Max. door leaf height: 2,800mm

Material/Finish	Article No.
SS matt (304)	981.56.810

Special Order

Bottom patch fitting StarTec



Features

- For glass thickness 8-15mm
- Suitable for DIN left hand and DIN right hand
- For double action doors

Technical data

- Max. door weight: 120kg
- Max. door leaf width: 1,200mm
- Max. door leaf height: 2,800mm

Installation

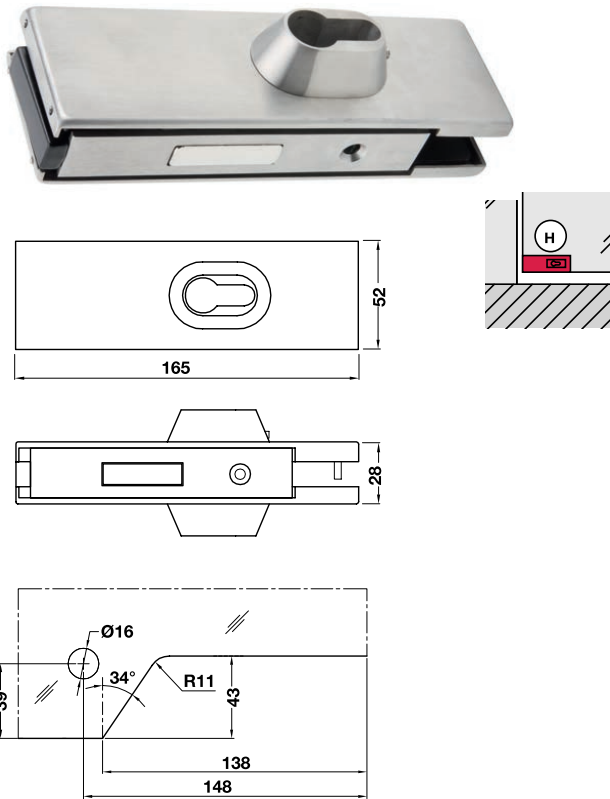
- For mounting the glass door, a door spring must be ordered separately

Material/Finish	Article No.
SS matt (304)	981.56.800

Special Order

We reserve the right to alter specifications without notice (HIN Architectural Hardware 2015).

Corner patch lock with PC aperture StarTec



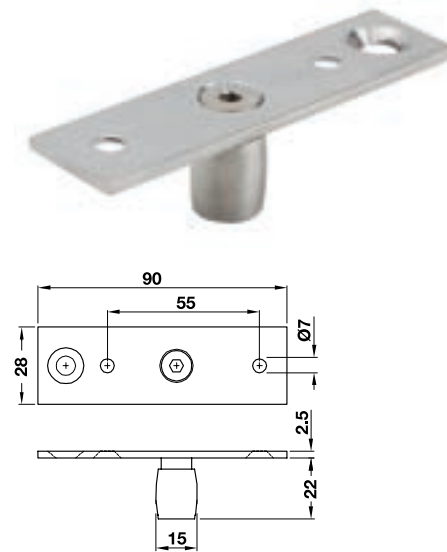
Features

- For glass thickness 8–15mm
- Suitable for DIN left hand and DIN right hand
- For profile cylinder (please order separately)
- Bolt 1-turn

Material/Finish	Article No.
SS matt (304)	981.56.830

Special Order

Ceiling bearing StarTec



Features

- Counter bearing for top patch fitting
- Suitable for DIN left hand and DIN right hand

Installation

- Screw fixing

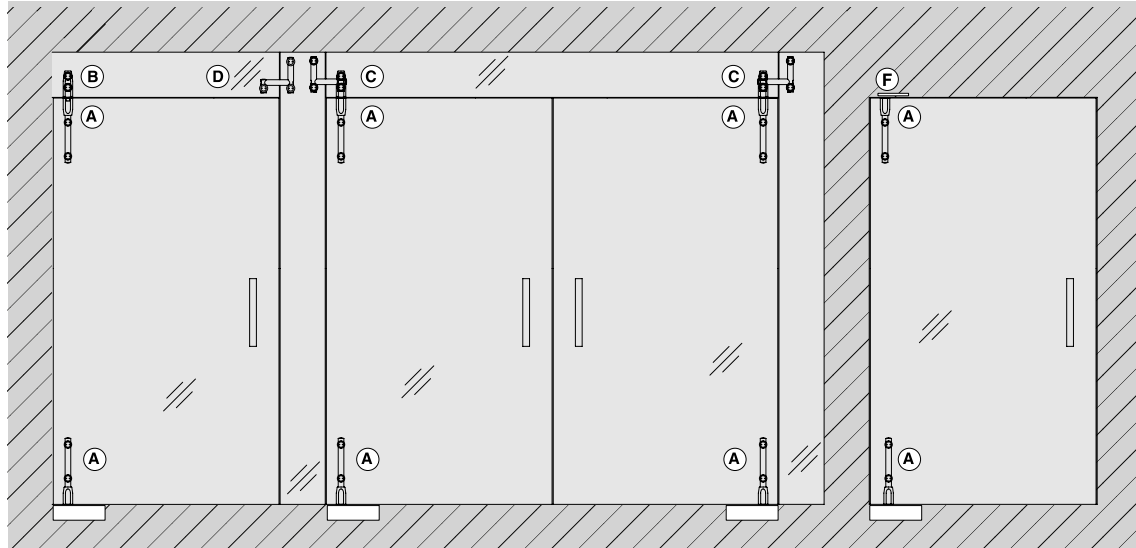
Material/Finish	Article No.
SS matt (304)	981.56.820

Special Order

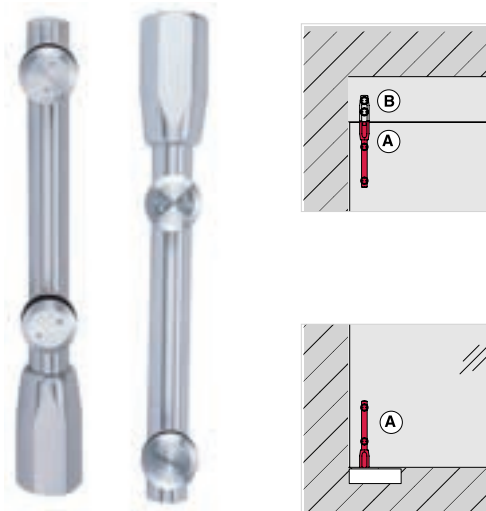
5

We reserve the right to alter specifications without notice (HIN Architectural Hardware 2015).

Point fittings StarTec



Bottom and Top patch fitting StarTec



Features

- For glass thickness 10–12mm
- Suitable for DIN left hand and DIN right hand
- For double and single action doors

Technical data

- Max door weight: 80kg
- Max door leaf width: 1,000mm

Installation

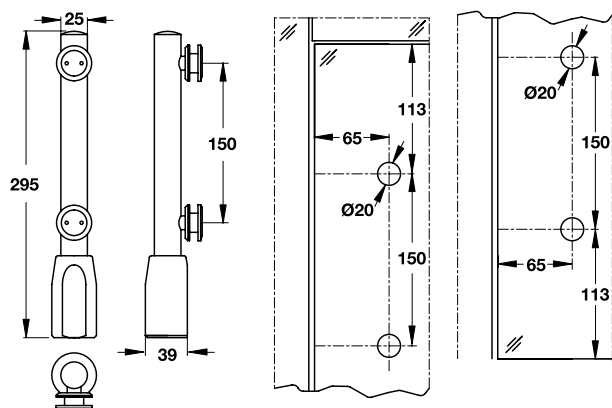
- Clamp fixing, with special fixing wrench, order separately
- For mounting the glass door, a floor spring or pivot bearing must be ordered separately (See Section 4).

Supplied with

- 1 Top point fitting
- 1 Bottom point fitting

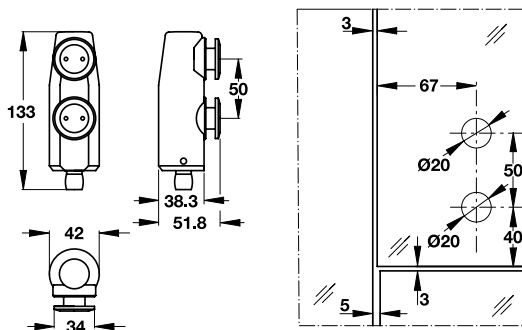
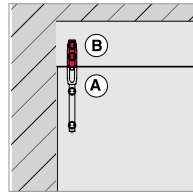
Material/Finish	Version	Article No.
SS matt (304)	Top point fitting	981.20.010
	Bottom point fitting	981.20.000

Special Order



We reserve the right to alter specifications without notice (HIN Architectural Hardware 2015).

Fanlight pivot point fitting StarTec



Features

- For glass thickness 10–12mm
- Suitable for DIN left hand and DIN right hand

Technical data

- Pivot adjustable ± 2 mm

Installation

- Clamp fixing, with special fixing wrench, order separately

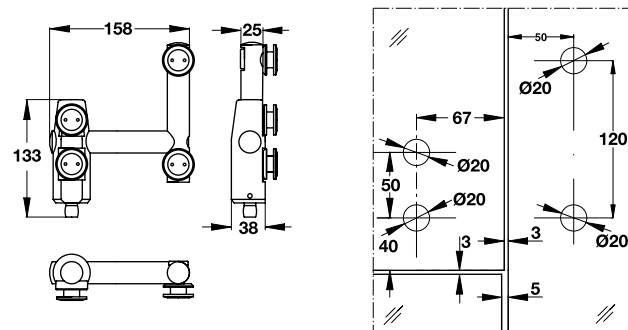
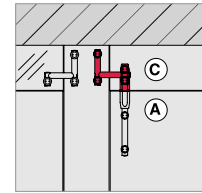
Supplied with

1 Fanlight pivot point fitting

Material/Finish	Article No.
SS matt (304)	981.20.020

Special Order

Fanlight/side panel pivot point fitting StarTec



Features

- For glass thickness 10–12mm
- Suitable for DIN left hand and DIN right hand

Technical data

- Side arm adjustable ± 2 mm

Installation

- Clamp fixing, with special fixing wrench, order separately

Supplied with

1 Fanlight/side panel point fitting

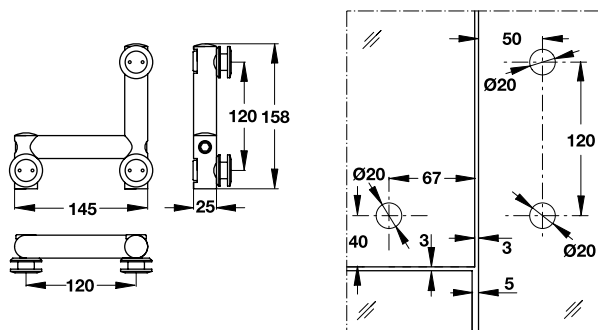
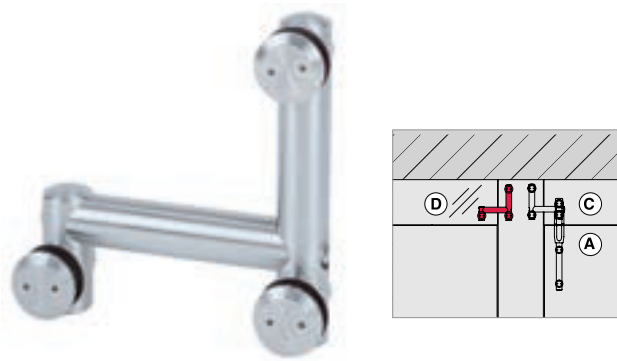
Material/Finish	Article No.
SS matt (304)	981.20.030

Special Order

5

We reserve the right to alter specifications without notice (HIN Architectural Hardware 2015).

Fanlight/side panel connection point fitting
StarTec



Features

- For glass thickness 10–12mm
- Suitable for DIN left hand and DIN right hand

Technical data

- Pivot adjustable ±2mm

Installation

- Clamp fixing, with special fixing wrench, order separately

Supplied with

1 Fanlight/side panel connection point fitting

Material/Finish	Article No.
SS matt (304)	981.20.040

Special Order

Glass Connectors

Glass Connector to Wall/Floor



Finish	Article No.
SS Matt	981.20.050

Special Order

2 way Glass to Glass Connector 90°

Internal Plate dimension - 52.5mm

Material: Stainless Steel



Finish	Article No.
SS Matt	981.20.060

Special Order

We reserve the right to alter specifications without notice (HIN Architectural Hardware 2015).

5

Glass Connectors

2 way Glass to Glass Connector 180°
 Internal Plate dimension - 103mm
 Material: Stainless Steel



Finish	Article No.
SS Matt	981.20.070

Special Order

3 way Glass to Glass Connector 180° with Fin
 Material: Stainless Steel



Finish	Article No.
SS Matt	981.20.080

Special Order

Fixing wrench



Material/Finish	Article No.
SS matt (304)	941.17.034

Special Order

5

We reserve the right to alter specifications without notice (HIN Architectural Hardware 2015).

Glass door locks for hinged doors



GHR 100



GHR 200



GHR 300



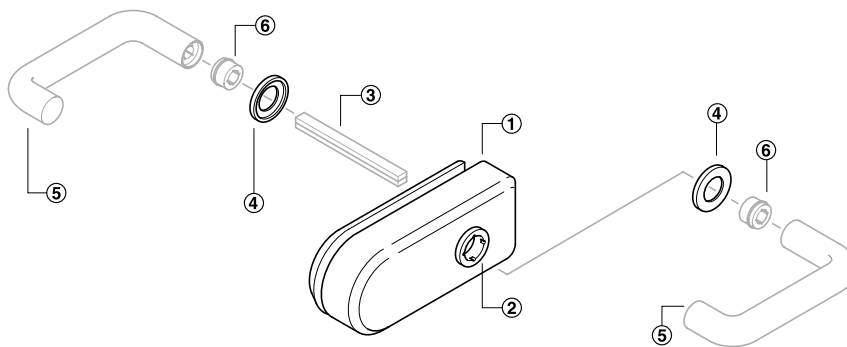
GHR 400



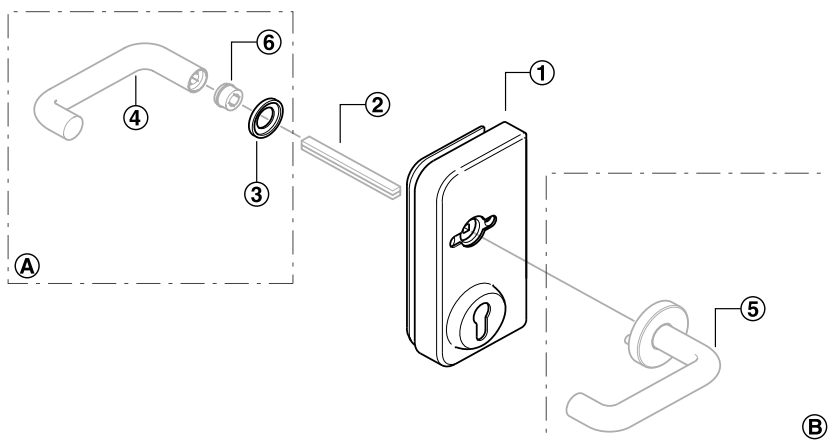
GHP 100



GHP 200



- ① Patchlock
- ② Attached guide
- ③ Spindle
- ④ Cover rose
- ⑤ Aperture part
- ⑥ Adapter (only for StarTec aperture parts)



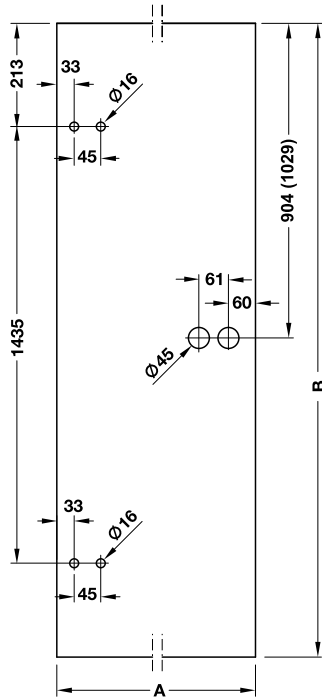
- ① Patchlock
- ② Spindle
- ③ Cover rose
- ④ Aperture part
- ⑤ Lever handle with handle rose
- ⑥ Adapter (only for StarTec aperture parts)
- Ⓐ Installation for patchlock without handle rose
- Ⓑ Installation for patchlock with handle rose

We reserve the right to alter specifications without notice (HIN Architectural Hardware 2015).

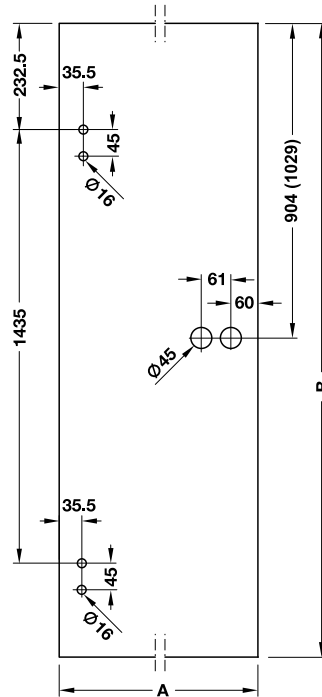


Glass preparation details GHR 100/200/400 StarTec

2-Piece hinge (wing part)



3-Piece hinge (wing part)



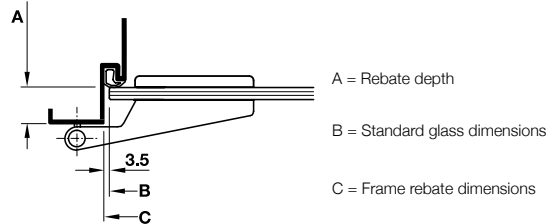
For frame parts

- V 3200 WF
- V 3400 WF
- G 22-21 with ring pin
- V 8100 WF

For frame parts

- V 4400 GL
- V 8000 S-GL
- G 22-21 with ring pin

5



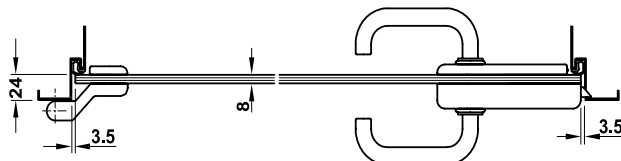
Please note rebate depth and glass weight:

Glass thickness mm	Rebate depth A mm	Door weight kg/sqm
8	24	20
10	26	25
12	28	30

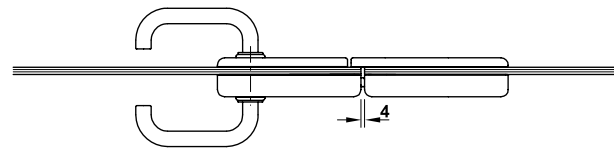
Dimensions for doors DIN 18101

Block work standard dimensions mm	750 x 2,000	875 x 2,000	1,000 x 2,000	750 x 2,125	875 x 2,125	1,000 x 2,125
Frame rebate dimensions C mm	716 x 1,983	841 x 1,983	966 x 1,983	716 x 2,108	841 x 2,108	966 x 2,108
Standard glass dimensions A x B mm	709 x 1,972	834 x 1,972	959 x 1,972	709 x 2,097	843 x 2,097	959 x 2,097

Installation



Mounting situation DIN left hand, single doors

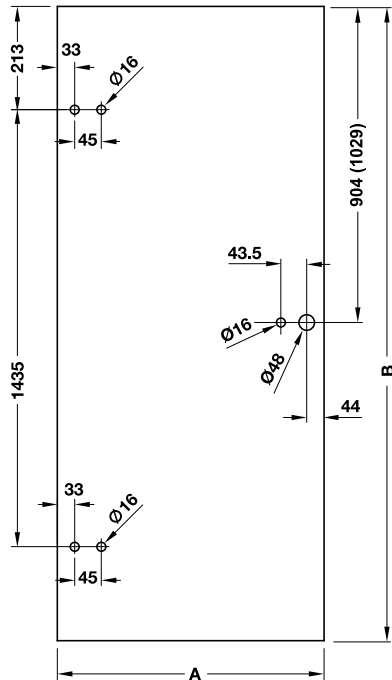


Mounting situation DIN left hand, double doors

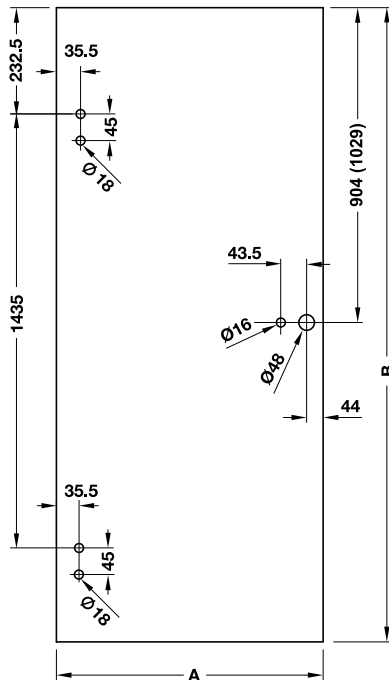
We reserve the right to alter specifications without notice (HIN Architectural Hardware 2015).

Glass preparation details GHR 300 StarTec

2-Piece hinge (wing part)

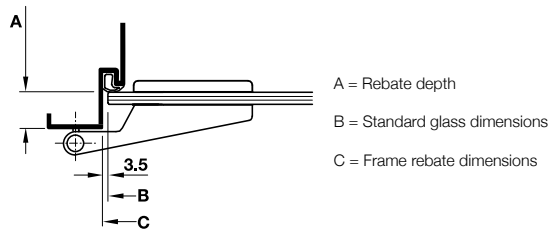


3-Piece hinge (wing part)



For frame parts

- V 4400 WF
- V 8000 WF



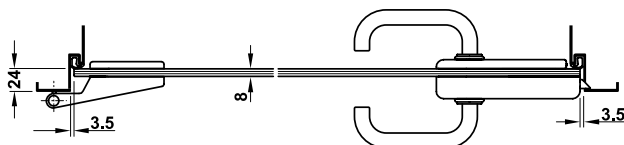
Please note rebate depth and glass weight:

Glass thickness mm	Rebate depth A mm	Door weight kg/sqm
8	24	20
10	26	25
12	28	30

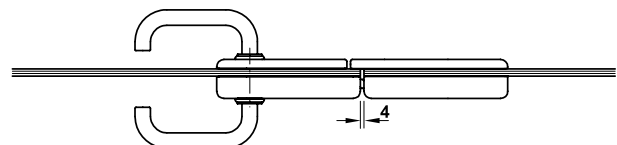
Dimensions for doors DIN 18101

Block work standard dimensions mm	750 x 2,000	875 x 2,000	1,000 x 2,000	750 x 2,125	875 x 2,125	1,000 x 2,125
Frame rebate dimensions C mm	716 x 1,983	841 x 1,983	966 x 1,983	716 x 2,108	841 x 2,108	966 x 2,108
Standard glass dimensions A x B mm	709 x 1,972	834 x 1,972	959 x 1,972	709 x 2,097	843 x 2,097	959 x 2,097

Installation



Mounting situation DIN left hand, single doors



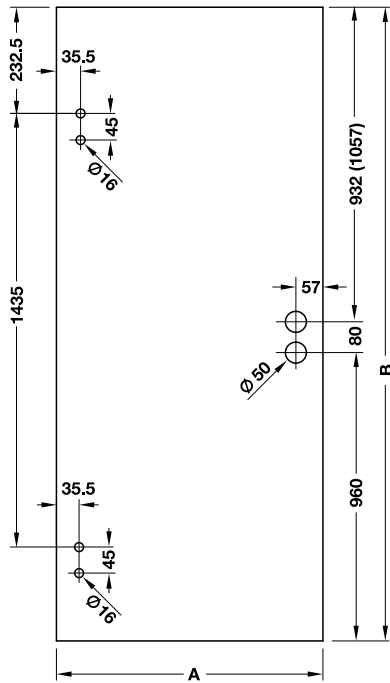
Mounting situation DIN left hand, double doors

We reserve the right to alter specifications without notice (HIN Architectural Hardware 2015).



Glass preparation details GHP 100/200 StarTec

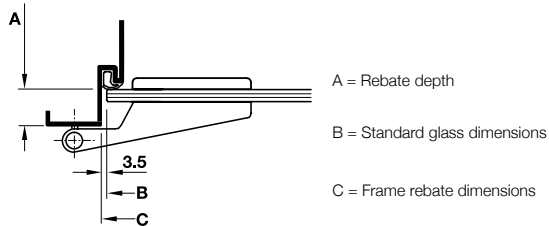
3-Piece hinge (wing part)



For frame parts

- V 4400 GL
- V 8000 S-GL

5



Please note rebate depth and glass weight:

Glass thickness mm	Rebate depth A mm	Door weight kg/sqm
8	24	20
10	26	25
12	28	30

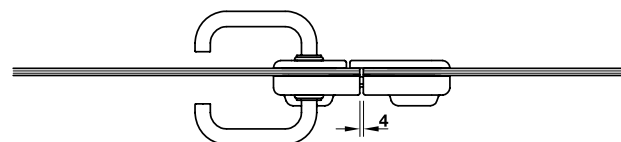
Dimensions for doors DIN 18101

Block work standard dimensions mm	750 x 2,000	875 x 2,000	1,000 x 2,000	750 x 2,125	875 x 2,125	1,000 x 2,125
Frame rebate dimensions C mm	716 x 1,983	841 x 1,983	966 x 1,983	716 x 2,108	841 x 2,108	966 x 2,108
Standard glass dimensions A x B mm	709 x 1,972	834 x 1,972	959 x 1,972	709 x 2,097	843 x 2,097	959 x 2,097

Installation



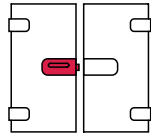
Mounting situation DIN left hand, single doors



Mounting situation DIN left hand, double doors

We reserve the right to alter specifications without notice (HIN Architectural Hardware 2015).

Glass Door Lock GHR 100 StarTec



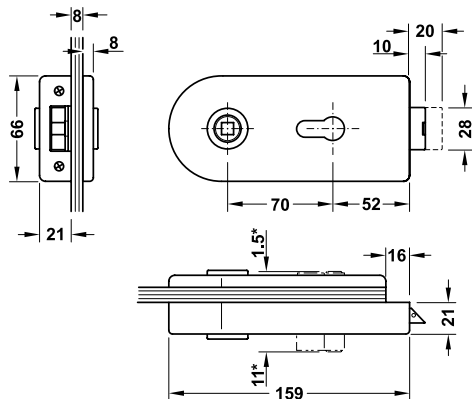
Features

- Area of application: For door made of tempered safety glass
- For glass thickness: 8mm
- Version: Continuous visible glass edge within the lock area, latchbolt lock, 2-piece
- Lever follower: 8mm
- Backset: 52mm
- Mounting: For DIN left and DIN right hand use

Note

All locks are prepared for DIN left hand.
For changing to DIN right hand, follow installation instructions.

PC Lock



Features

- Version: With key action
- Distance: 70mm

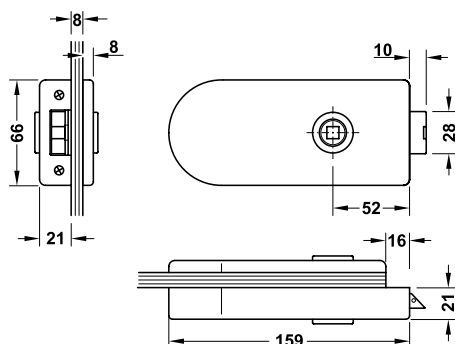
Material/Finish	Article No.
SS matt (304)	981.49.504

Special Order



We reserve the right to alter specifications without notice (HIN Architectural Hardware 2015).

NL Lock



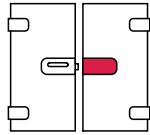
Features

- Version: Front lever handle

Material/Finish	Article No.
SS matt (304)	981.49.500

Special Order

Glass Door Strike patch GHR 100 StarTec

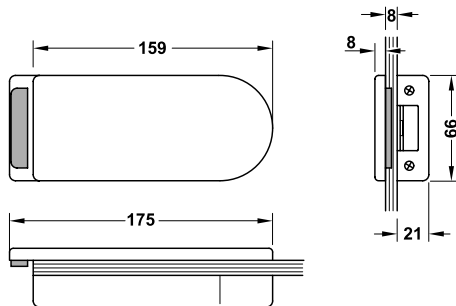


Features

- Area of application: For double doors made of tempered safety glass
- For glass thickness: 8mm
- Version: 2-piece, with stop, protrudes the glass edge
- Mounting: For DIN left and DIN right hande use

Material/Finish	Article No.
SS matt (304)	981.49.420

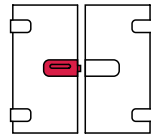
Special Order



Order reference

Handle	page 5.48
Spindle	page 5.50
Profile	page 5.50

Glass Door Lock GHR 200 StarTec



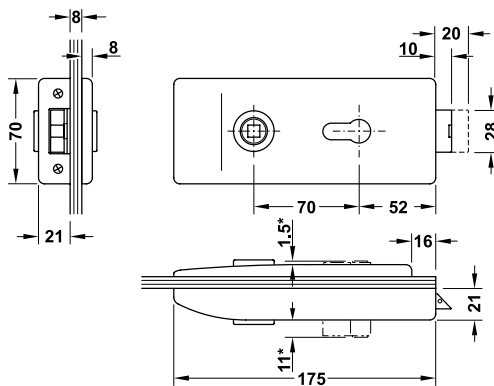
Features

- Area of application: For door made of tempered safety glass
- For glass thickness: 8mm
- Version: Continuous visible glass edge within the lock area, latchbolt lock, 2-piece
- Lever follower: 8mm
- Backset: 52mm
- Mounting: For DIN left and DIN right hand use

Note

All locks are prepared for DIN left hand.
For changing to DIN right hand, follow installation instructions.

PC Lock



Features

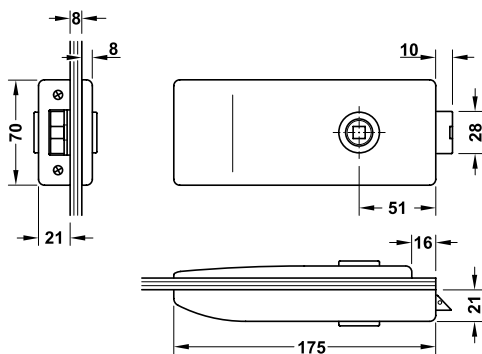
- Version: With key action
- Distance: 70mm

Material/Finish	Article No.
SS matt (304)	981.49.514

Special Order

5

NL Lock



Features

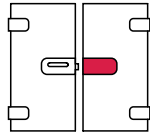
- Version: Front lever handle

Material/Finish	Article No.
SS matt (304)	981.49.510

Special Order

We reserve the right to alter specifications without notice (HIN Architectural Hardware 2015).

Glass Door Strike patch GHR 200 StarTec

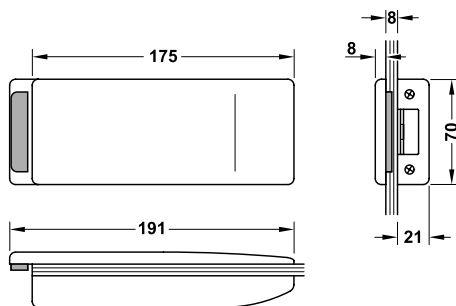


Features

- Area of application: For double doors made of tempered safety glass
- For glass thickness: 8mm
- Version: 2-piece, with stop, protrudes the glass edge
- Mounting: For DIN left and DIN right hande use

Material/Finish	Article No.
SS matt (304)	981.49.430

Special Order



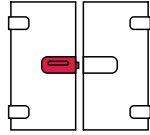
5

Order reference

Handle	page 5.48
Spindle	page 5.50
Profile	page 5.50

We reserve the right to alter specifications without notice (HIN Architectural Hardware 2015).

Glass Door GHR 300 StarTec

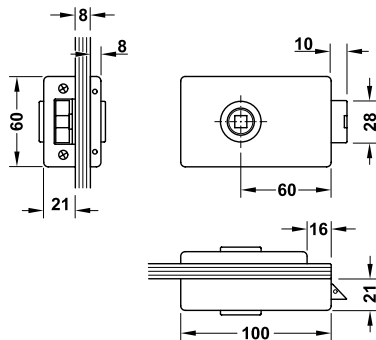


Features

- Area of application: For door made of tempered safety glass
- For glass thickness: 8mm
- Version: Continuous visible glass edge within the lock area, latchbolt lock, 2-piece
- Lever follower: 8mm
- Backset: 46.5mm
- Mounting: For DIN left and DIN right hand use

Material/Finish	Article No.
SS matt (304)	981.49.520

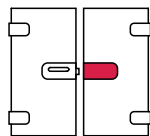
Special Order



Note

All locks are prepared for DIN left hand.
For changing to DIN right hand, follow installation instructions.

Strike patch GHR 300 StarTec

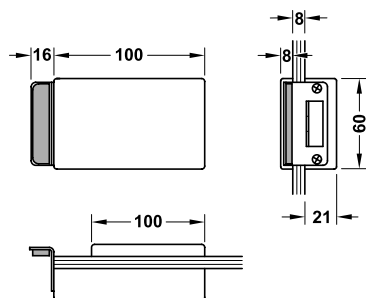


Features

- Area of application: For double doors made of tempered safety glass
- For glass thickness: 8mm
- Version: 2-piece, with stop, protrudes the glass edge
- Mounting: For DIN left and DIN right hand use

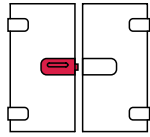
Material/Finish	Article No.
SS matt (304)	981.49.440

Special Order



We reserve the right to alter specifications without notice (HIN Architectural Hardware 2015).

Glass Door GHR 400 StarTec



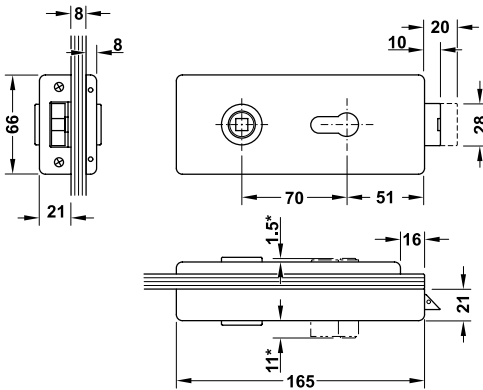
Features

- Area of application: For door made of tempered safety glass
- For glass thickness: 8mm
- Version: Continuous visible glass edge within the lock area, latchbolt lock, 2-piece
- Lever follower: 8mm
- Backset: 52mm
- Mounting: For DIN left and DIN right hand use

Note

All locks are prepared for DIN left hand.
For changing to DIN right hand, follow installation instructions.

PC Lock



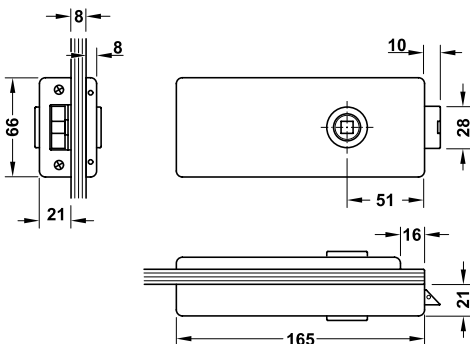
Features

- Version: With key action
- Distance: 70mm

Material/Finish	Article No.
SS matt (304)	981.49.534

Special Order

NL Lock



Features

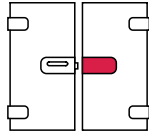
- Version: Front lever handle

Material/Finish	Article No.
SS matt (304)	981.49.510

Special Order

5

Glass Door Strike patch GHR 400 StarTec

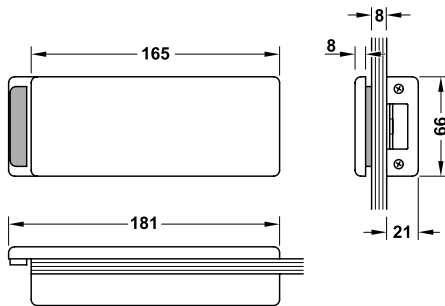


Features

- Area of application: For double doors made of tempered safety glass
- For glass thickness: 8mm
- Version: 2-piece, with stop, protrudes the glass edge
- Mounting: For DIN left and DIN right hande use

Material/Finish	Article No.
SS matt (304)	981.49.450

Special Order

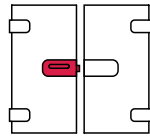


We reserve the right to alter specifications without notice (HIN Architectural Hardware 2015).

Order reference

- Handle page 5.48
- Spindle page 5.50
- Profile page 5.50

Glass Door GHP 100 StarTec

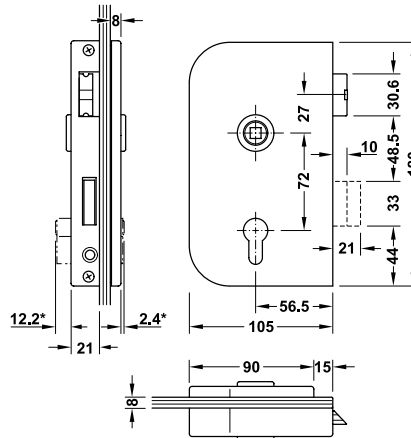


Features

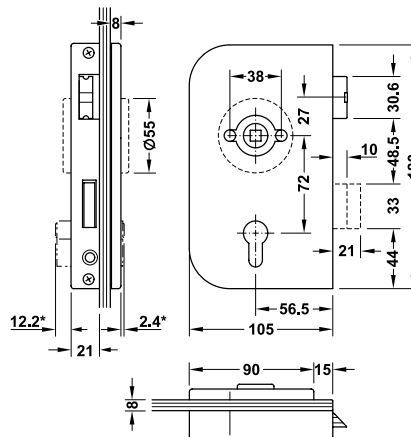
- Area of application: For door made of tempered safety glass
- For glass thickness: 8mm
- Version: Continuous visible glass edge within the lock area, latchbolt lock, 2-piece, in compliance with DIN 18251, grade 3, lever follower: Clamping follower, optional for lever handles with or without handles roses
- Lever follower: 8mm
- Backset: 56.5mm
- Mounting: For DIN left and DIN right hand use

5

PC Lock



Prepared for profile cylinder (PC) and lever handles without handles roses



Prepared for profile cylinder (PC) and lever handles with handles roses

Features

- Version: With key action
- Deadbolt: 2 turn
- Distance: 72mm

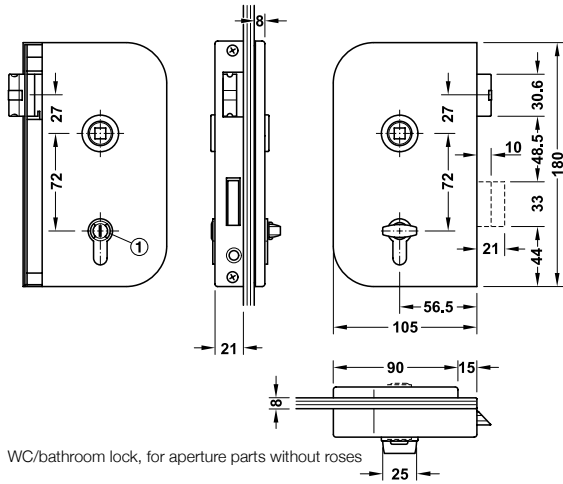
Material/Finish	DIN left	DIN right
For lever handles without handle roses		
SS matt (304)	981.49.140	981.49.150
For lever handles with handle roses		
SS matt (304)	981.49.160	981.49.170

Special Order

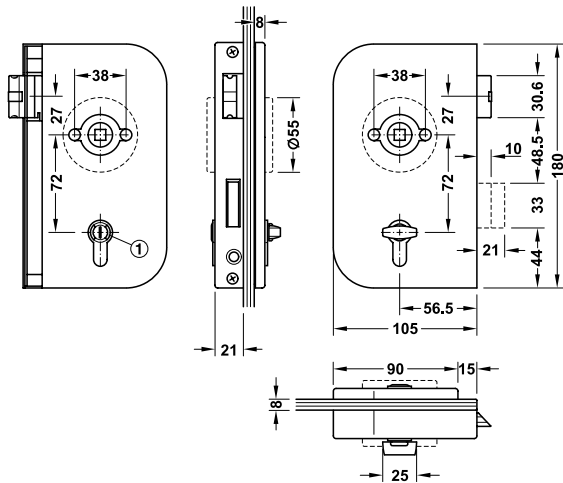
We reserve the right to alter specifications without notice (HIN Architectural Hardware 2015).

Glass Door GHP 100 StarTec

WC/bathroom lock



WC/bathroom lock, for aperture parts without roses



WC/bathroom lock, prepared for lever handles with handle roses

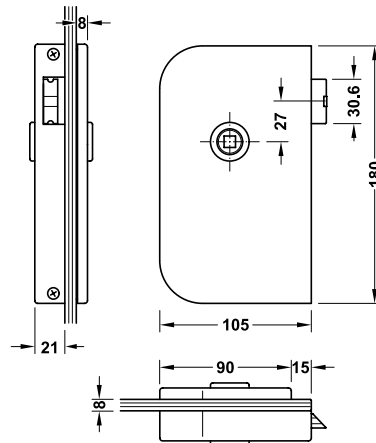
Features

- Version: with lock indicator vacant/engaged, with emergency opening option
- Deadbolt: 1 turn
- Distance: 78mm

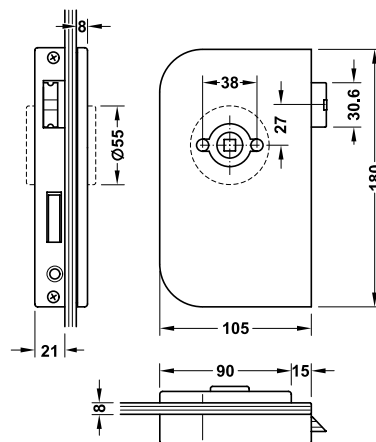
Material/Finish	DIN left	DIN right
For lever handles without handle roses		
SS matt (304)	981.49.146	981.49.156
For lever handles with handle roses		
SS matt (304)	981.49.166	981.49.176

Special Order

NL Lock



NL lock, for aperture parts without roses



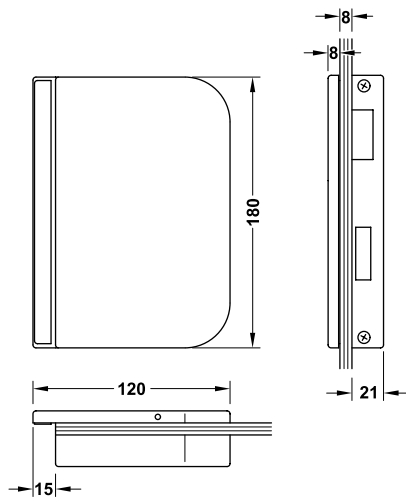
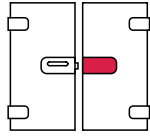
NL lock, prepared for lever handles with handle roses

Material/Finish	DIN left	DIN right
For lever handles without handle roses		
SS matt (304)	981.49.144	981.49.154
For lever handles with handle roses		
SS matt (304)	981.49.164	981.49.174

Special Order

We reserve the right to alter specifications without notice (HIN Architectural Hardware 2015).

Glass Door Strike patch GHP 100 StarTec



5 Features

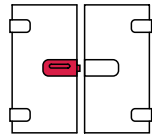
- Area of application: For double doors made of tempered safety glass
- For glass thickness: 8mm
- Version: 2-piece, with stop, protrudes the glass edge
- Mounting: For DIN left and DIN right hande use

Material/Finish	DIN left	DIN right
SS matt (304)	981.49.460	981.49.470

Special Order

We reserve the right to alter specifications without notice (HIN Architectural Hardware 2015).

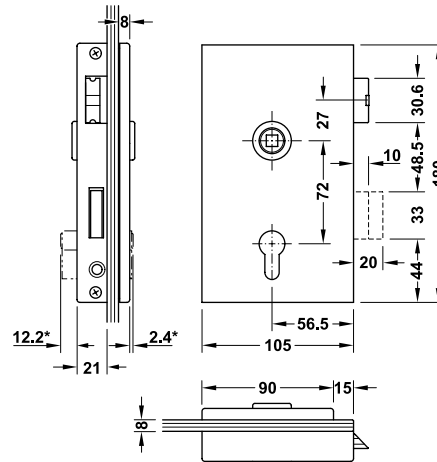
Glass Door GHP 200 StarTec



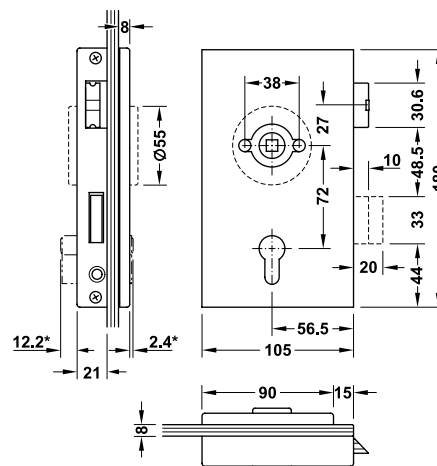
Features

- Area of application: For door made of tempered safety glass
- For glass thickness: 8mm
- Version: Continuous visible glass edge within the lock area, 2-piece, in compliance with DIN 18251, grade 3, lever follower: Clamping follower, optional for lever handles with or without handle roses or prepared for lever handles with handle roses
- Lever follower: 8mm
- Backset: 56.5mm
- Mounting: For DIN left and DIN right hand use

PC Lock



Prepared for profile cylinder (PC) and lever handles without handles roses.



Prepared for profile cylinder (PC) and lever handles with handles roses.

Features

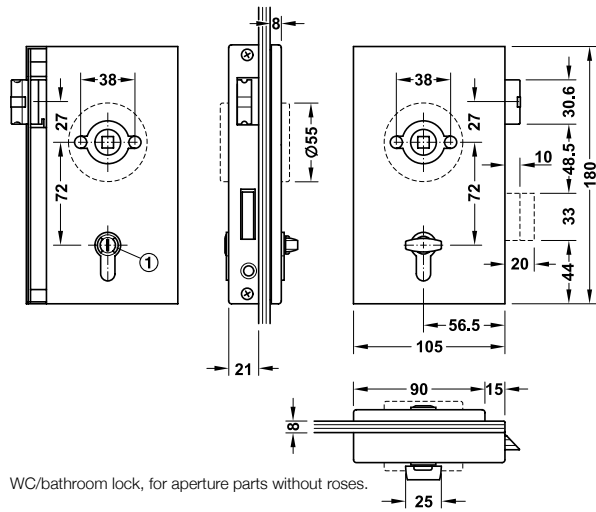
- Version: With key action
- Deadbolt: 2 turn
- Distance: 72mm

Material/Finish	DIN left	DIN right
For lever handles without handle roses		
SS matt (304)	981.49.100	981.49.110
For lever handles with handle roses		
SS matt (304)	981.49.120	981.49.130

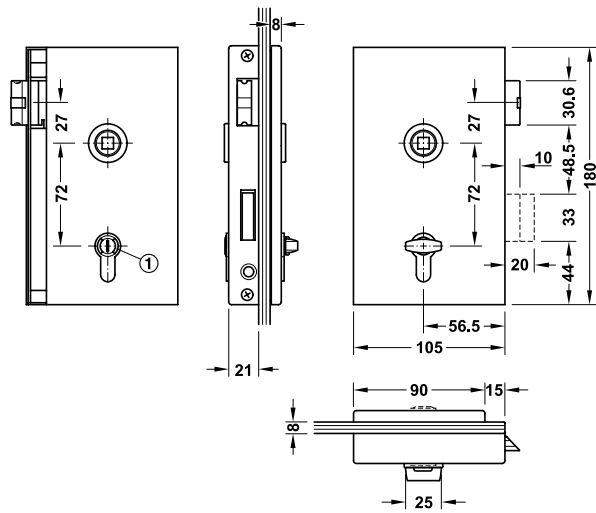
Special Order

We reserve the right to alter specifications without notice (HIN Architectural Hardware 2015).

WC/bathroom lock



WC/bathroom lock, for aperture parts without roses.



WC/bathroom lock, prepared for lever handles with handle roses.

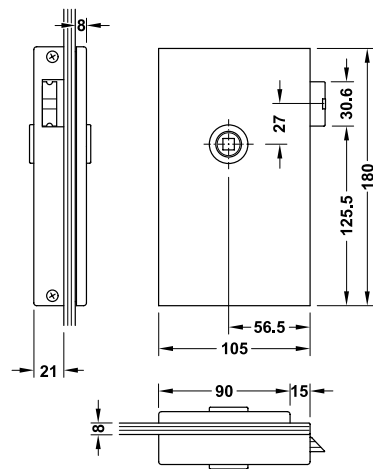
Features

- Version: with lock indicator vacant/engaged, with emergency opening option
- Deadbolt: 1 turn
- Distance: 78mm

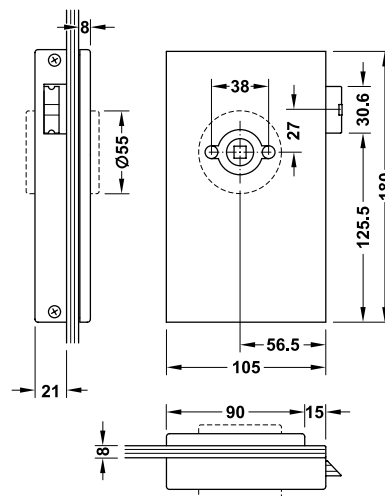
Material/Finish	DIN left	DIN right
For lever handles without handle roses		
SS matt (304)	981.49.106	981.49.116
For lever handles with handle roses		
SS matt (304)	981.49.126	981.49.136

Special Order

NL Lock



NL lock, for aperture parts without roses



NL lock, prepared for lever handles with handle roses

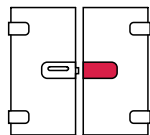
Features

- Version: Lever handle below
- Distance: 72mm

Material/Finish	DIN left	DIN right
For lever handles without handle roses		
SS matt (304)	981.49.104	981.49.114
For lever handles with handle roses		
SS matt (304)	981.49.124	981.49.134

Special Order

Glass Door Strike patch GHP 200 StarTec

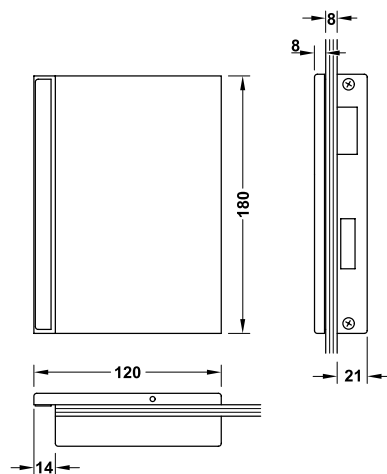


Features

- Area of application: For double doors made of tempered safety glass
- For glass thickness: 8mm
- Version: 2-piece, with stop, protrudes the glass edge
- Mounting: For DIN left and DIN right hande use

Material/Finish	DIN left	DIN right
SS matt (304)	981.49.480	981.49.490

Special Order



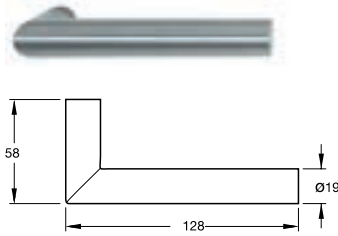
We reserve the right to alter specifications without notice (HIN Architectural Hardware 2015).

Handles for locking patch StarTec

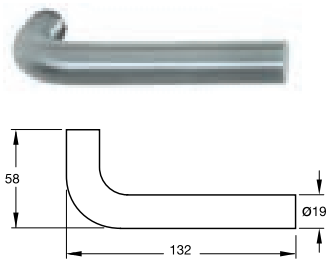
Lever handles

Areas of application

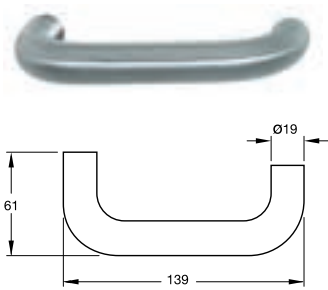
- For Häfele spring bolt locks



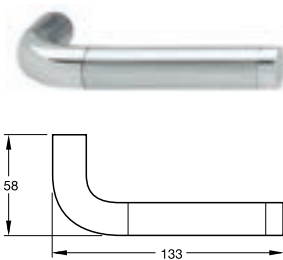
Material/Finish	Article No.
SS matt	902.30.222



Material/Finish	Article No.
SS matt	902.30.232



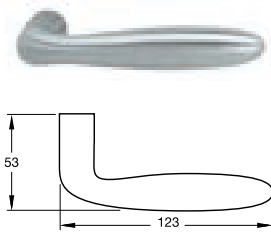
Material/Finish	Article No.
SS matt	902.30.242



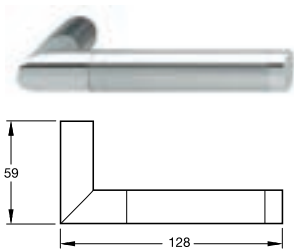
Material/Finish	Article No.
SS polished/matt	902.30.292

5

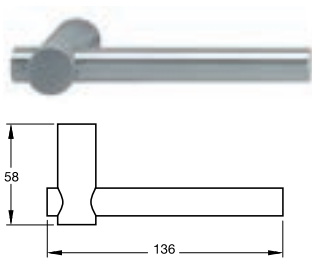
We reserve the right to alter specifications without notice (HIN Architectural Hardware 2015).



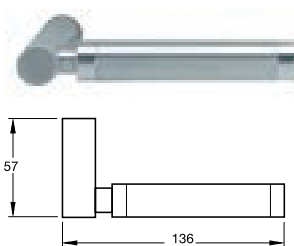
Material/Finish	Article No.
SS matt	902.30.370



Material/Finish	Article No.
SS polished/matt	902.30.372



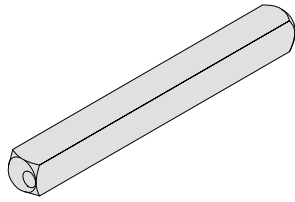
Material/Finish	Article No.
SS matt	902.30.660



Material/Finish	Article No.
SS polished/matt	902.30.671

We reserve the right to alter specifications without notice (HIN Architectural Hardware 2015).

Spindle, split StarTec



Required spindle length

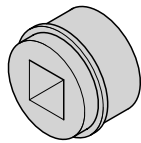
Version	Glass thicknesses mm		
	8	10	12
GHR 100	105	105	110
GHR 200			
GHR 300	100	100	105
GHR 400			
GHP 100	100	100	105
GHP 200			

Features

- Area of application: Residential areas, projects
- Material: Steel
- Finish: Galvanized
- Dimensions (W x H): 8 x 8mm

Length mm	Article No.
100	909.46.028
105	909.46.030
110	909.46.031

Adapter for lever handle aperture part StarTec



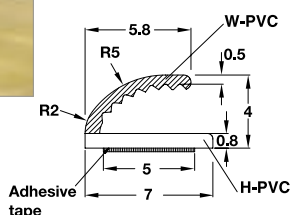
5

Features

- Area of application: For mounting StarTec lever handle aperture parts on glass door locks

Material	Colour	Article No.
Plastic	White	909.09.740
	Black	909.09.741

Self-adhesive profile for glass panel StarTec



Features

- For glass door thickness: Min. 6mm
- Material: Plastic
- Colour: White transparent

Length mm	For glass thickness mm	Article No.
3,000	6	950.08.830

We reserve the right to alter specifications without notice (HIN Architectural Hardware 2015).

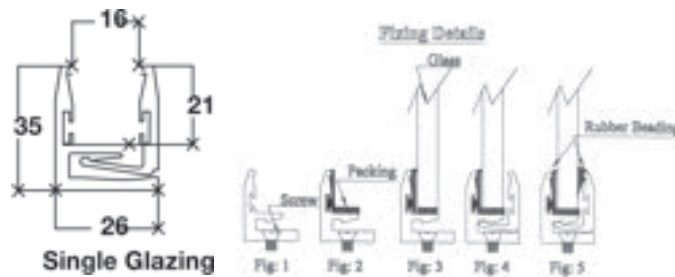
Possible Applications

- Interior Glass Partitions
- Interior Office Partitions with multitude of panel Inserts, MDF, Lamination, Plywood, Gypsum etc.
- Shop Fronts with maximum visibility and security.
- Fixed Windows.
- Partitions that need relocation and frequent assembly and dismantling.
- Elegant Signages, much easier to assemble and install.

Features

- Unique Profile Design
- Solid Aluminium Profile
- Unique Self Lock
- Dry Glazing
- EDPM Gaskets
- Minimum Components
- (2 Components Gaskets)
- Economical
- Aesthetics
- Acoustic
- Safety and Security

Finish: Silver Anodized



Description	Article No.
Single Glazing Profile, Silver Anodized	980.08.000
Gasket for 8mm Glass, Black	980.08.011
Gasket for 10mm Glass, Black	980.08.013
Gasket for 12mm Glass, Black	980.08.015
Minimum Packing Length - 5.8Mtr.	

Special Order

We reserve the right to alter specifications without notice (HIN Architectural Hardware 2015).

How To Order?

Step 1: The glazing profile comes along with a common gasket

Step 2: The gasket for 8,10,12mm glass door has to be ordered separately

5



We reserve the right to alter specifications without notice (HIN Architectural Hardware 2015).

Shower Hinges

Bellini Series

Wall to Glass Hinge 180° for 8mm or 10mm Glass

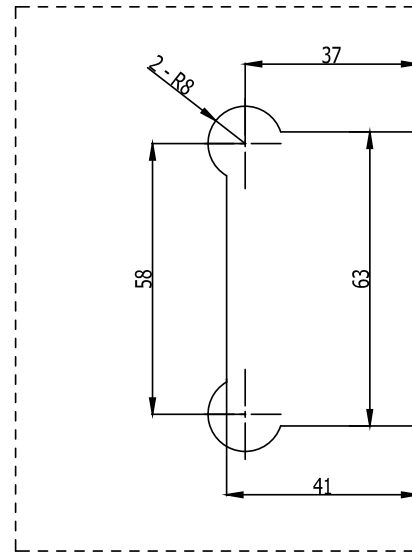
Base Material: Brass

Door Width: up to 800mm

Max. Door Weight: 35kg for 2 Nos. Hinges



GLASS CUT-OUT



Finish	Article No.
Chrome Polished	981.35.002
Nickel Matt	981.35.006

Bellini Series

Wall to Glass Hinge 90° for 8mm or 10mm Glass

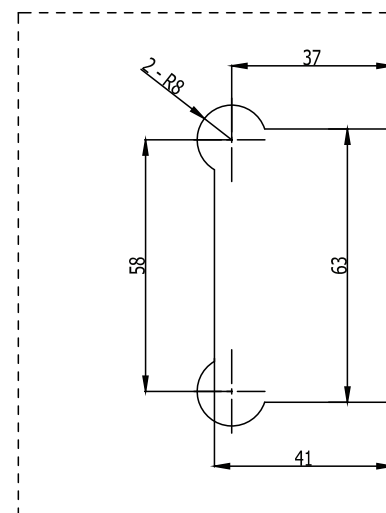
Base Material: Brass

Door Width: up to 800mm

Max. Door Weight: 35kg for 2 Nos. Hinges



GLASS CUT-OUT



Finish	Article No.
Chrome Polished	981.35.012
Nickel Matt	981.35.016

We reserve the right to alter specifications without notice (HIN Architectural Hardware 2015).

Shower Hinges

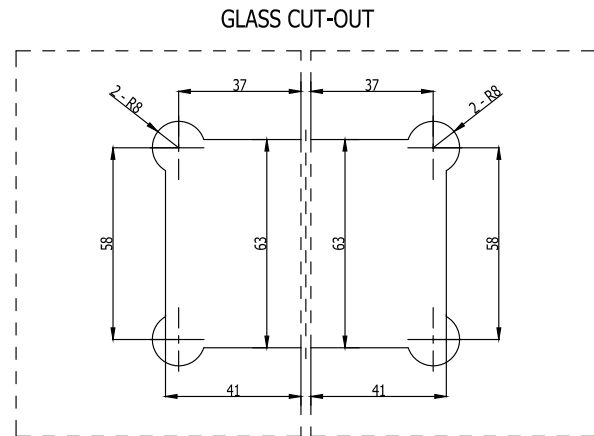
Bellini Series

Glass to Glass Hinge 135° for 8mm or 10mm Glass

Base Material: Brass

Door Width: up to 800mm

Max. Door Weight: 35kg for 2 Nos. Hinges



Finish	Article No.
Chrome Polished	981.35.032
Nickel Matt	981.35.036

5

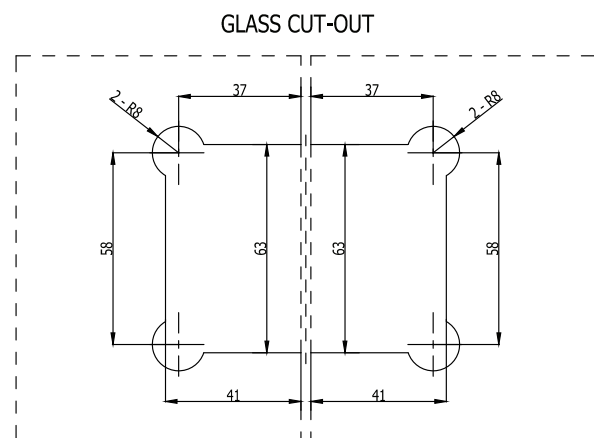
Bellini Series

Glass to Glass Hinge 180° for 8mm or 10mm Glass

Base Material: Brass

Door Width: up to 800mm

Max. Door Weight: 35kg for 2 Nos. Hinges



Finish	Article No.
Chrome Polished	981.35.022
Nickel Matt	981.35.026

We reserve the right to alter specifications without notice (HIN Architectural Hardware 2015).

Shower Hinges

Bellini Series

Glass to Glass Hinge 90° for 8mm or 10mm Glass

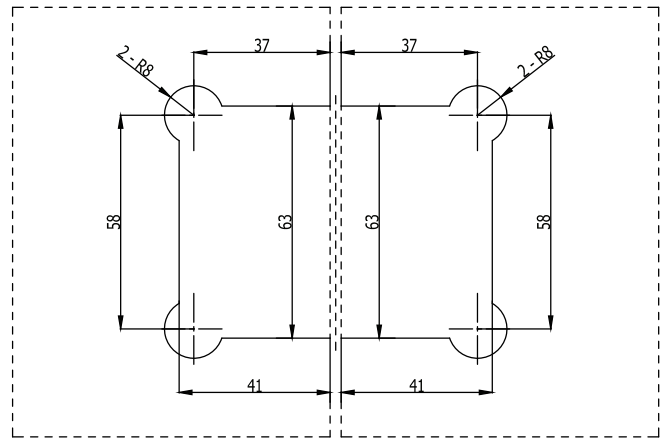
Base Material: Brass

Door Width: up to 800mm

Max. Door Weight: 35kg for 2 Nos. Hinges



GLASS CUT-OUT



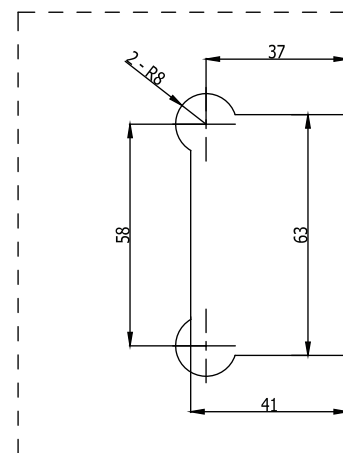
Finish	Article No.
Chrome Polished	981.35.042
Nickel Matt	981.35.046

Bellini 90

Wall to Glass Fix Clamp, 55x90mm for 8 to 10mm Glass



GLASS CUT-OUT



Finish	Article No.
Chrome Polished	981.35.222
Nickel Matt	981.35.226

We reserve the right to alter specifications without notice (HIN Architectural Hardware 2015).

Shower Hinges

Kazaa Series

Wall to Glass Hinge 90° for 8, 10 or 12mm Glass

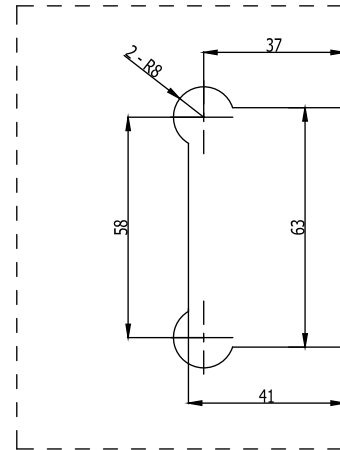
Base Material: Stainless Steel

Door Width: up to 900mm

Max. Door Weight: 45kg for 2 Nos. Hinges



GLASS CUT-OUT



Finish	Article No.
SS Matt	981.09.010
SS Polished	981.09.011

5

Kazaa Series

Glass to Glass Hinge 135° for 8, 10 or 12mm Glass

Base Material: Stainless Steel

Door Width: up to 900mm

Max. Door Weight: 45kg for 2 Nos. Hinges



Finish	Article No.
SS Matt	981.09.020
SS Polished	981.09.021

We reserve the right to alter specifications without notice (HIN Architectural Hardware 2015).

Shower Hinges

Kazaa Series

Glass to Glass Hinge 180° for 8, 10 or 12mm Glass

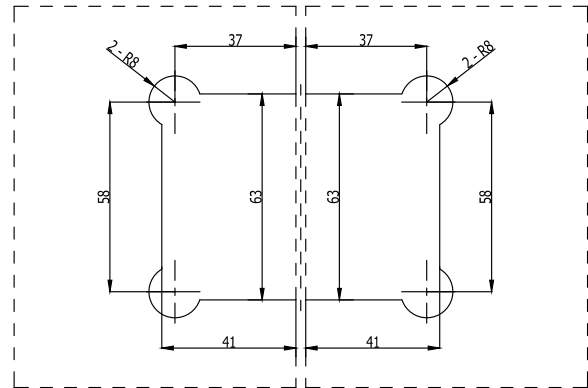
Base Material: Stainless Steel

Door Width: up to 900mm

Max. Door Weight: 45kg for 2 Nos. Hinges



GLASS CUT-OUT



Finish	Article No.
SS Matt	981.09.030
SS Polished	981.09.031

Kazaa Series

Glass to Glass Hinge 90° for 8, 10 or 12mm Glass

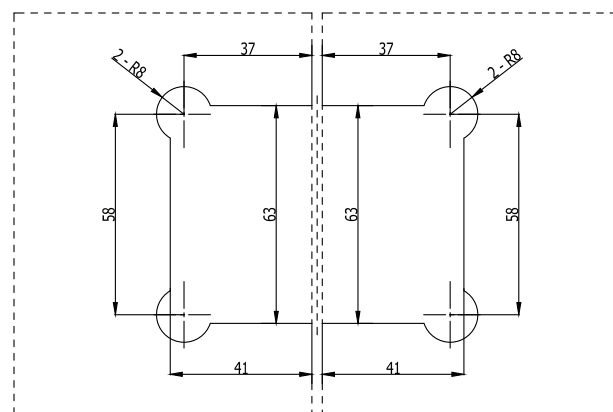
Base Material: Stainless Steel

Door Width: up to 900mm

Max. Door Weight: 45kg for 2 Nos. Hinges



GLASS CUT-OUT



Finish	Article No.
SS Matt	981.09.040
SS Polished	981.09.041

We reserve the right to alter specifications without notice (HIN Architectural Hardware 2015).

Shower Hinges

Kazaa Series

Wall to Glass Hinge 180° for 8, 10 or 12mm Glass

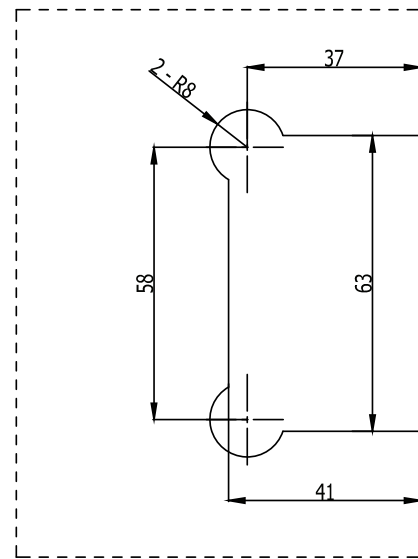
Base Material: Stainless Steel

Door Width: up to 900mm

Max. Door Weight: 45kg for 2 Nos. Hinges



GLASS CUT-OUT



Finish	Article No.
SS Matt	981.09.000
SS Polished	981.09.001

Shower Hinges

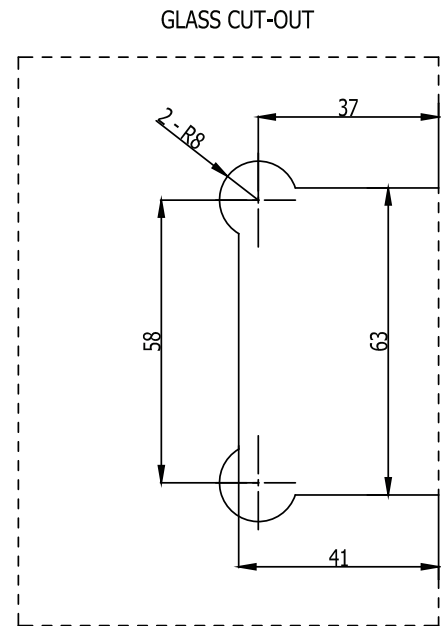
Alda Series

Wall to Glass Hinge 180° for 8mm or 10mm Glass

Base Material: Brass

Door Width: up to 800mm

Max. Door Weight: 35kg for 2 Nos. Hinges



Finish	Article No.
Chrome Polished	981.35.052
Nickel Matt	981.35.056

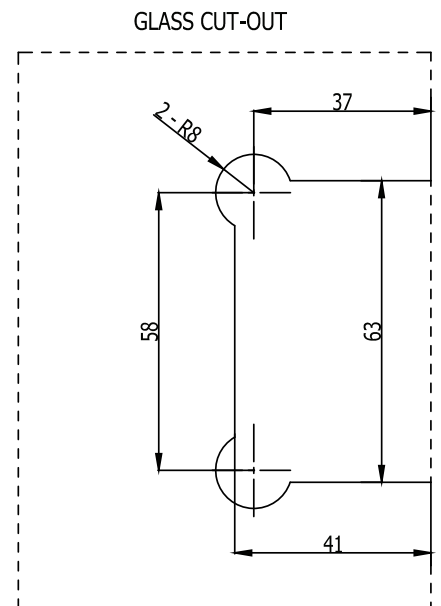
Alda Series

Wall to Glass Hinge 90° for 8mm or 10mm Glass

Base Material: Brass

Door Width: up to 800mm

Max. Door Weight: 35kg for 2 Nos. Hinges



Finish	Article No.
Chrome Polished	981.35.062
Nickel Matt	981.35.066

We reserve the right to alter specifications without notice (HIN Architectural Hardware 2015).

Shower Hinges

Alda Series

Glass to Glass Hinge 180° for 8mm or 10mm Glass

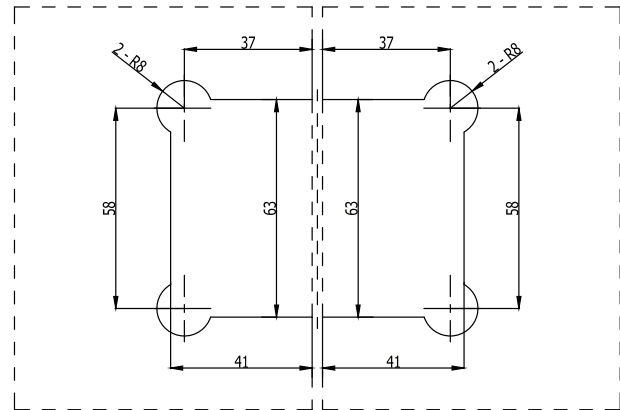
Base Material: Brass

Door Width: up to 800mm

Max. Door Weight: 35kg for 2 Nos. Hinges



GLASS CUT-OUT



Finish	Article No.
Chrome Polished	981.35.072
Nickel Matt	981.35.076

5

Alda Series

Glass to Glass Hinge 135° for 8mm or 10mm Glass

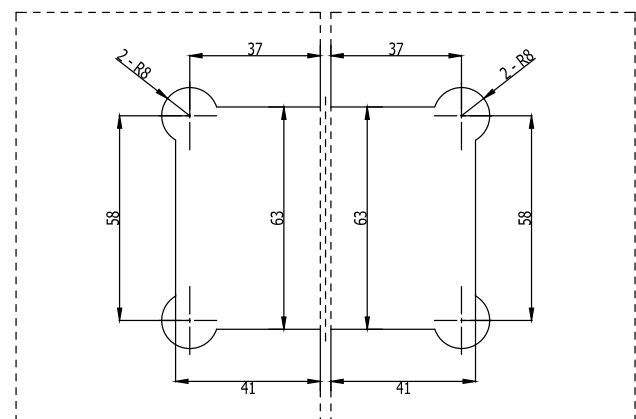
Base Material: Brass

Door Width: up to 800mm

Max. Door Weight: 35kg for 2 Nos. Hinges



GLASS CUT-OUT



Finish	Article No.
Chrome Polished	981.35.082
Nickel Matt	981.35.086

We reserve the right to alter specifications without notice (HIN Architectural Hardware 2015).

Shower Hinges

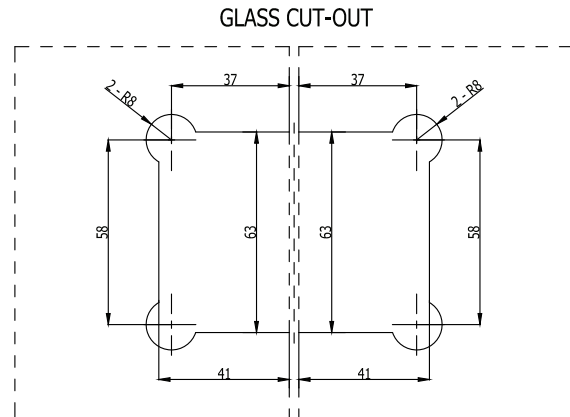
Alda Series

Glass to Glass Hinge 90° for 8mm or 10mm Glass

Base Material: Brass

Door Width: up to 800mm

Max. Door Weight: 35kg for 2 Nos. Hinges



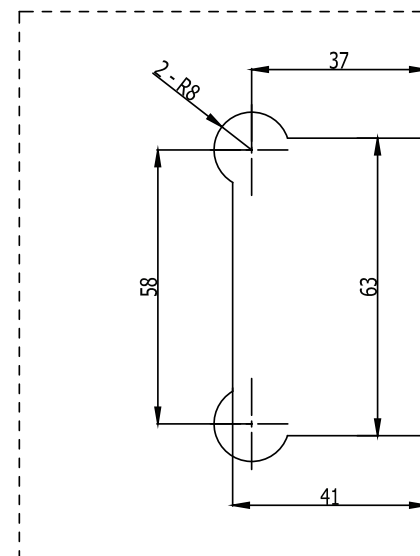
Finish	Article No.
Chrome Polished	981.35.092
Nickel Matt	981.35.096

Alda 90

Wall to Glass Fix Clamp, 55x90mm for 8 to 10mm Glass



GLASS CUT-OUT



Finish	Article No.
Chrome Polished	981.35.232
Nickel Matt	981.35.236

We reserve the right to alter specifications without notice (HIN Architectural Hardware 2015).

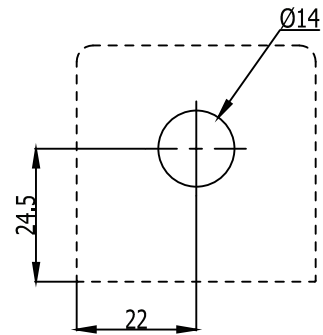
Glass Connectors

90° Glass to Glass Bracket for 8 or 10mm Glass

Base Material: Brass



GLASS CUT-OUT



Finish	Article No.
Chrome Polished	981.35.142
Nickel Matt	981.35.146

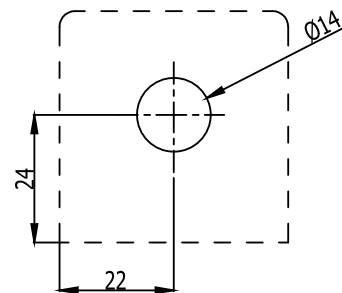
135° Glass to Glass Bracket for 8 or 10mm Glass

Base Material: Brass

5



GLASS CUT-OUT



Finish	Article No.
SS Matt	981.35.132
SS Polished	981.35.136

We reserve the right to alter specifications without notice (HIN Architectural Hardware 2015).

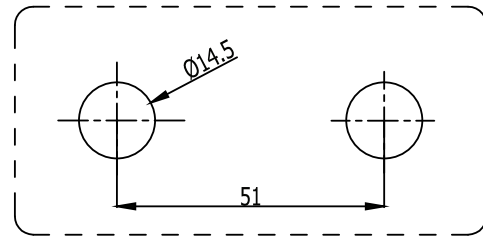
Glass Connectors

180° Glass to Glass Bracket for 8 to 10mm Glass

Base Material: Brass



GLASS CUT-OUT



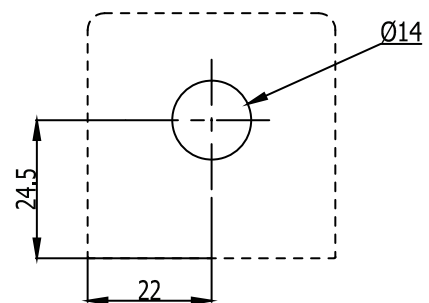
Finish	Article No.
Chrome Polished	981.35.122
Nickel Matt	981.35.126

90° Wall to Glass Bracket for 8 or 10mm Glass

Base Material: Brass



GLASS CUT-OUT



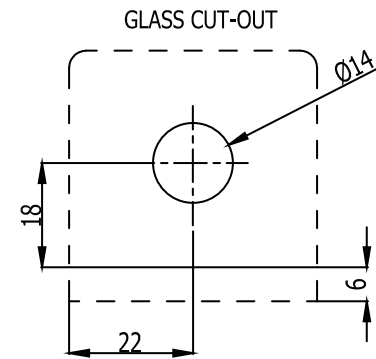
Finish	Article No.
SS Matt	981.35.112
SS Polished	981.35.116

We reserve the right to alter specifications without notice (HIN Architectural Hardware 2015).

Glass Connectors

90° Wall to Glass or Floor to Glass Bracket for 8 or 10mm Glass

Base Material: Brass

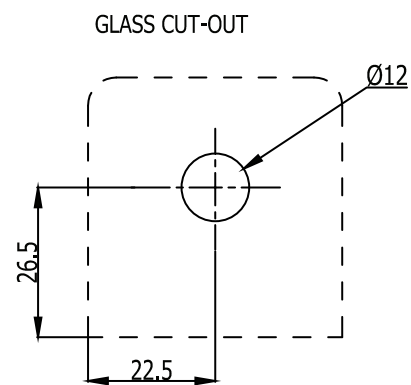


Finish	Article No.
Chrome Polished	981.35.102
Nickel Matt	981.35.106

Wall to Glass Connector 90° for 8 or 10mm

Base Material: Stainless Steel 304

5



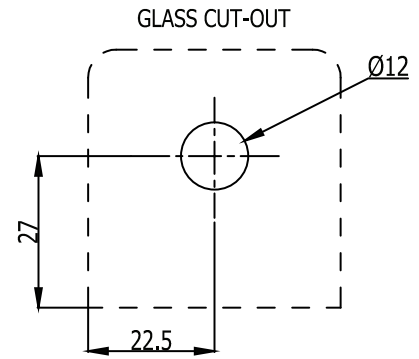
Finish	Article No.
Chrome Polished	981.55.000
Nickel Matt	981.55.001

We reserve the right to alter specifications without notice (HIN Architectural Hardware 2015).

Glass Connectors

Wall to Glass Connector 90° for 8 or 10mm

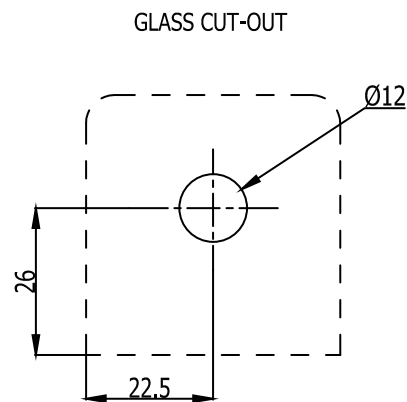
Base Material: Stainless Steel 304



Finish	Article No.
Chrome Polished	981.55.020
Nickel Matt	981.55.021

Glass to Glass Connector 90° for 8 or 10mm

Base Material: Stainless Steel 304



Finish	Article No.
SS Matt	981.55.010
SS Polished	981.55.011

We reserve the right to alter specifications without notice (HIN Architectural Hardware 2015).

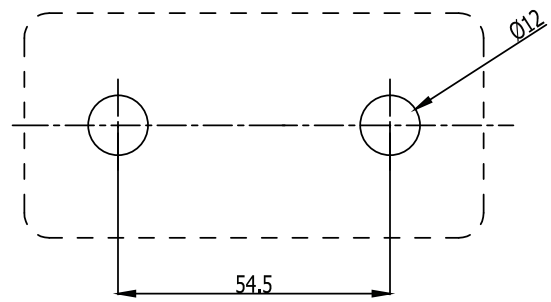
Glass Connectors

Glass to Glass Connector 180° for 8 or 10mm

Base Material: Stainless Steel 304



GLASS CUT-OUT



Finish	Article No.
SS Matt	981.55.030
SS Polished	981.55.031

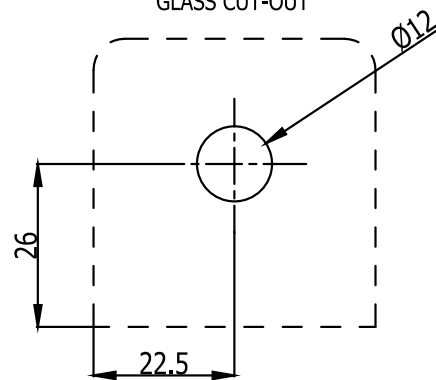
Glass to Glass Connector 135° for 8 or 10mm

Base Material: Stainless Steel 304

5



GLASS CUT-OUT



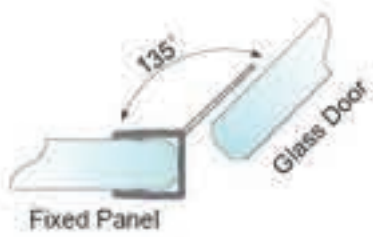
Finish	Article No.
SS Matt	981.55.040
SS Polished	981.55.041

We reserve the right to alter specifications without notice (HIN Architectural Hardware 2015).

Glass Door Seals

Wall Seal with Soft Lip for Glass

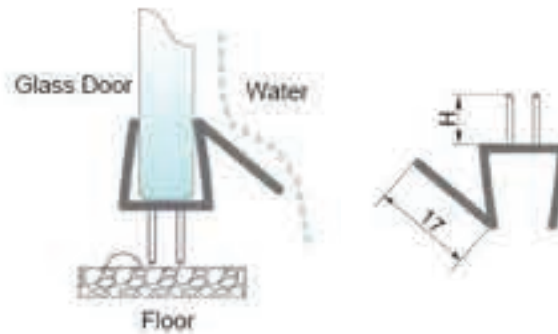
Size: 2400mm



Glass Thickness	Article No.
8mm	950.17.800
10mm	950.17.802

Wall & Bottom Seal for Glass Extruded with Water run off Plate

Size: 2400mm



Glass Thickness	Height (H)	Article No.
8mm	8mm	950.17.822
10mm	8mm	950.17.824

Weather Seal used between Door & Side Panel opposite the hinge

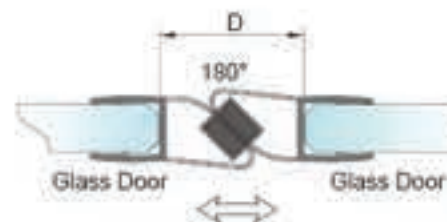
Size: 2400mm



Glass Thickness	Height (H)	Article No.
8mm	8mm	950.17.810
10mm	8mm	950.17.812
12mm	8mm	950.17.814

180° Magnetic Seal (Supplied in Pairs)

Size: 2400mm



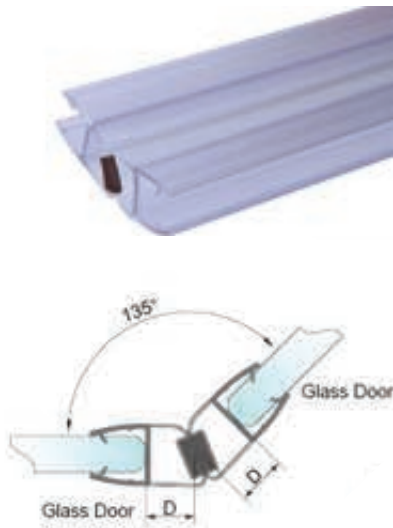
Glass Thickness	Distance (D)	Article No.
8mm	24mm	950.17.660
10mm	20mm	950.17.670

We reserve the right to alter specifications without notice (HIN Architectural Hardware 2015).

Glass Door Seals

135° Magnetic Seal (Supplied in Pairs)

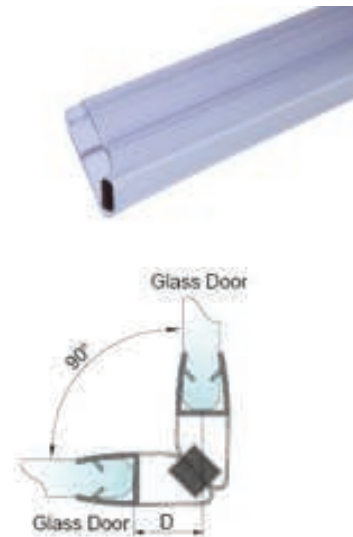
Size: 2400mm



Glass Thickness	Distance (D)	Article No.
8mm	11mm	950.17.840
10mm	11mm	950.17.842

90° Magnetic Seal (Supplied in Pairs)

Size: 2400mm

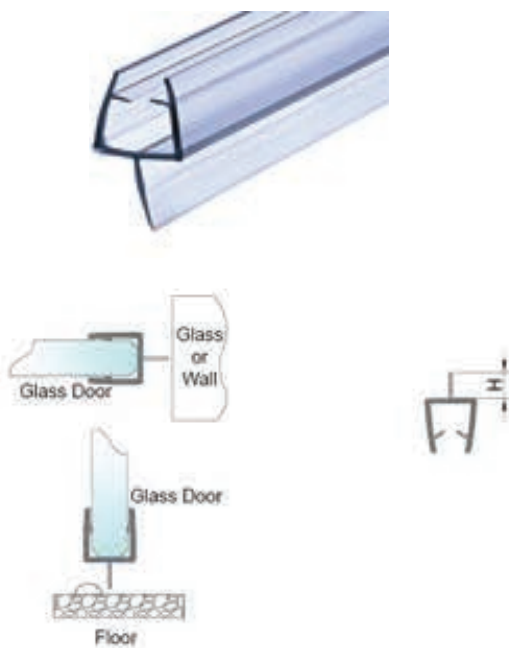


Glass Thickness	Distance (D)	Article No.
8mm	12mm	950.17.830
10mm	12mm	950.17.832

5

Central Glass Seal For Sealing Double Action Door & Wall

Size: 2400mm



Glass Thickness	Height (H)	Article No.
8mm	7mm	950.17.820

We reserve the right to alter specifications without notice (HIN Architectural Hardware 2015).

Shower Door Handles & Knobs

Towel Bar with Handle

Base Material: Stainless Steel

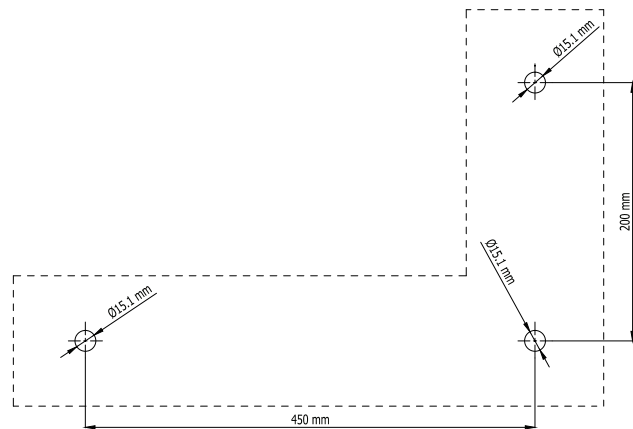
Size: 25mm Ø X 450mm C/C - Towel Bar

25mm Ø X 200mm C/C - Pull Handle



Finish	Article No.
SS Matt	980.47.000
SS Polished	980.47.001

GLASS CUT-OUT



Towel Bar with Knob

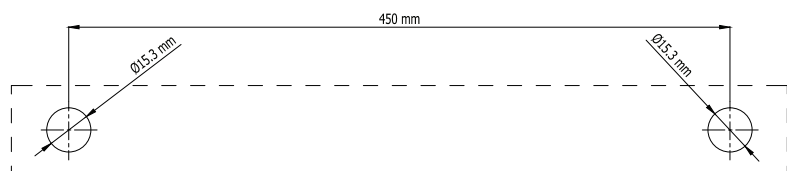
Base Material: Stainless Steel

Size: 25mm Ø X 450mm C/C - Towel Bar



Finish	Article No.
SS Matt	980.47.010
SS Polished	980.47.011

GLASS CUT-OUT



We reserve the right to alter specifications without notice (HIN Architectural Hardware 2015).

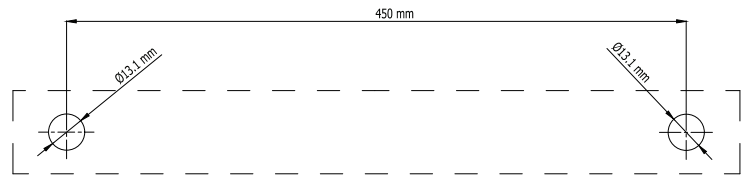
Shower Door Handles & Knobs

Solid Stainless Steel Towel Bar
 With Knob 35 x 32mm Diameter

Base Material: Stainless Steel



GLASS CUT-OUT



Finish	Size	Article No.
SS Polished	12.70 x 12.70 x 25 x 450mm c/c	981.20.201
	12.70 x 12.70 x 25 x 600mm c/c	

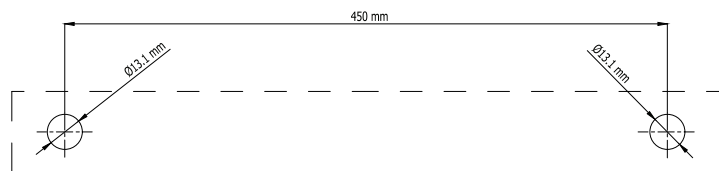
5

Solid Stainless Steel Towel Bar
 With Knob 35 x 32 mm Diameter

Base Material: Stainless Steel



GLASS CUT-OUT



Finish	Size	Article No.
SS Polished	10.0 x 22.0 x 25 x 450mm c/c	981.20.221
	10.0 x 22.0 x 25 x 600mm c/c	

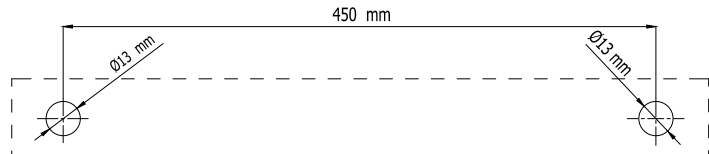
We reserve the right to alter specifications without notice (HIN Architectural Hardware 2015).

Shower Door Handles & Knobs

Solid Stainless Steel Towel Bar With Knob square
 35 x 25mm Diameter



GLASS CUT-OUT



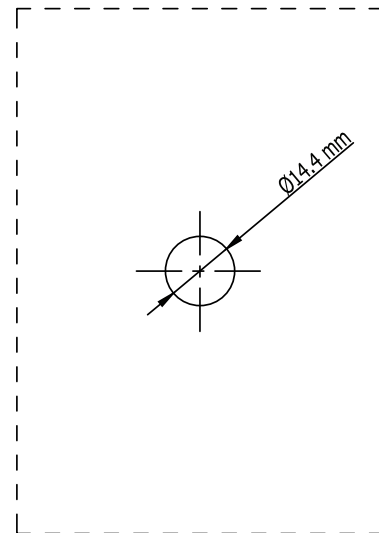
Finish	Size	Article No.
SS Matt	25.0 x 10.0 x 465mm c/c	981.20.210
SS Polished	25.0 x 10.0 x 615mm c/c	981.20.211

Back to Back Knob for Shower Doors

Base Material: Stainless Steel 304

Size: 32mm X 40mm

Suitable for 6mm to 10mm Glass



Finish	Article No.
SS Matt	981.20.130
SS Polished	981.20.131

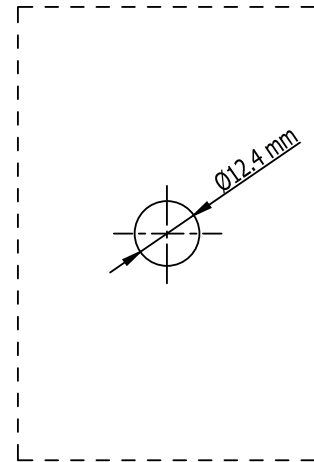
We reserve the right to alter specifications without notice (HIN Architectural Hardware 2015).

Back to Back Knob for Shower Doors

Base Material: Brass

Size: 40mm X 24.3mm

Suitable for 6mm to 10mm Glass



Finish	Article No.
Chrome Polished	981.07.302
Nickel Matt	981.07.306

5

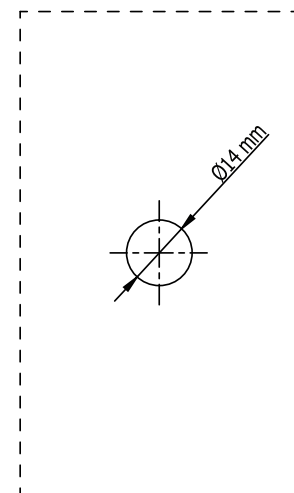
Back to Back Knob for Shower Doors

Base Material: Stainless Steel

Size: 38mm X 40mm

32mm X 40mm

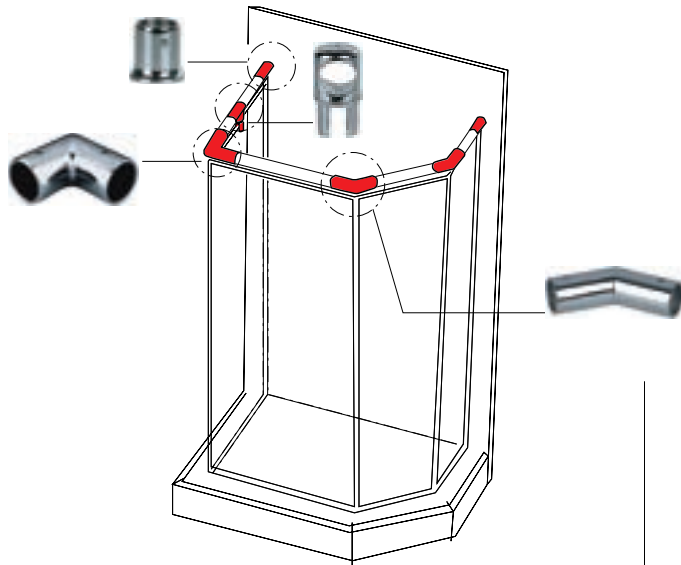
Suitable for 6mm to 10mm Glass



Finish	Size	Article No.
SS Matt	38mm x 40mm	981.20.122
SS Polished		981.20.123
SS Matt	32mm x 40mm	981.20.120
SS Polished		981.20.121

We reserve the right to alter specifications without notice (HIN Architectural Hardware 2015).

Shower Header Bars



Features

- For glass thicknesses: 8–10 mm

Installation

- Clamp fixing with hexagon socket screws

Glass middle support for header bar



Finish	Article No.
SS Matt	981.20.520
SS Polished	981.20.521

Wall support for header bar



Finish	Article No.
SS Matt	981.20.500
SS Polished	981.20.501

90° Connector for 19mm rod



Finish	Article No.
SS Matt	981.20.530
SS Polished	981.20.531

Glass end support for header bar



Finish	Article No.
SS Matt	981.20.510
SS Polished	981.20.511

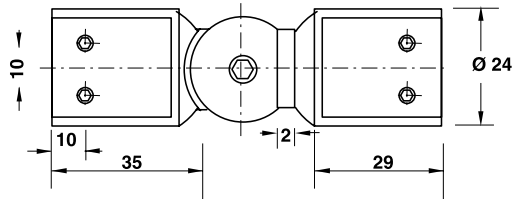
19mm SS Rod for Header Bar
 Finish: SS Matt



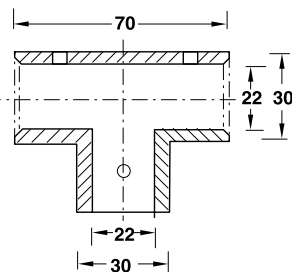
Finish	Size	Article No.
SS Matt	1200mm	981.20.612
SS Polished	1200mm	981.20.712
SS Matt	1800mm	981.20.618
SS Polished	1800mm	981.20.718
SS Matt	3000mm	981.20.61801
SS Polished	3000mm	981.20.71801

We reserve the right to alter specifications without notice (HIN Architectural Hardware 2015).

Shower rail connector



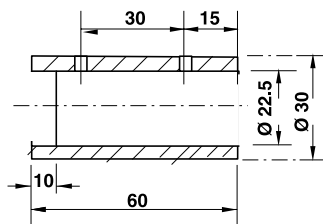
Material/finish	Article No.
SS polished (304)	981.52.141



Material/finish	Article No.
SS polished (304)	981.52.161

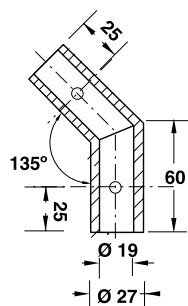
Special Order

5



Material/finish	Article No.
SS polished (304)	981.52.171

Special Order



Material/finish	Article No.
SS polished (304)	981.52.181

Special Order

We reserve the right to alter specifications without notice (HIN Architectural Hardware 2015).

Glass Door Serrature Meroni Knobs

A. Serrature Meroni Forma Knob set for Glass Door,

Entry Function (Single Door): Key Outside and Push Button Inside, Door Thickness: 32-60mm

Door Knob set with key and push button

Finish	Article No.
Chrome Matt	981.40.034

Special Order



Auxillary Latch for Glass doors
 Thickness 8-12mm
 Backset: 70mm

Finish	Article No.
Chrome Matt	981.40.104

Special Order



Strike plate for wooden door or single glass door

Finish	Article No.
SS Matt	911.39.303

Special Order



B. Serrature Meroni Forma Knob set for Glass Door

Bathroom Function (Single Door): Push Button Inside and Emergency indicator outside. Door Thickness: 32-60mm

Door knob set with indicator and push button

Finish	Article No.
Chrome Matt	981.40.044

Special Order



Auxillary Latch for Glass doors
 Thickness 8-12mm
 Backset: 70mm

Finish	Article No.
Chrome Matt	981.40.104

Special Order



Strike plate for wooden door or single glass door

Finish	Article No.
SS Matt	911.39.303

Special Order



We reserve the right to alter specifications without notice (HIN Architectural Hardware 2015).

Serrature Meroni Forma Knob set for Double Glass

Entry Function (Double Door): Key Outside and Push Button Inside,
 Thickness: 8-12mm

Door Knob set with key and push button

Finish	Article No.
Chrome Matt	981.40.034

Special Order

Auxillary Latch for Glass doors
 Thickness 8-12 mm
 Backset: 70 mm

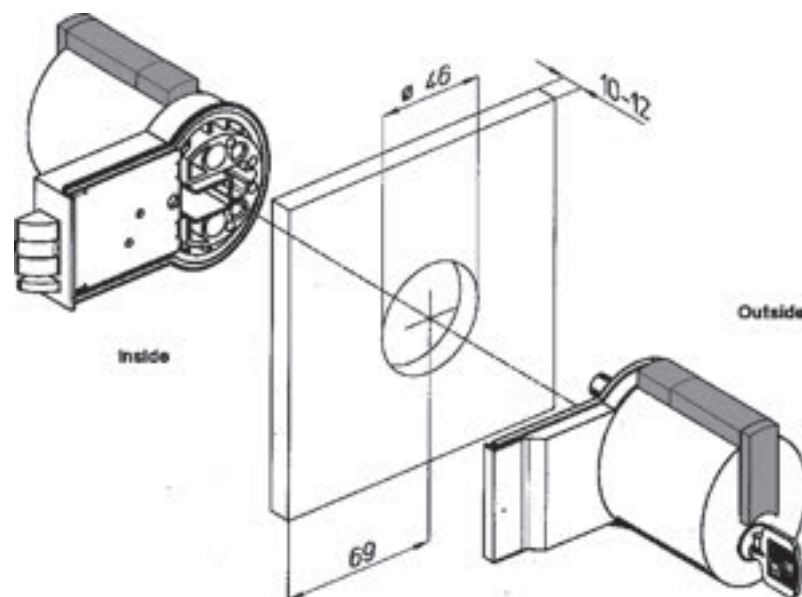
Finish	Article No.
Chrome Matt	981.40.104

Special Order

Strike plate for double glass door
 Finish : Chrome Matt

Finish	Article No.
SS Matt	981.40.114

Special Order

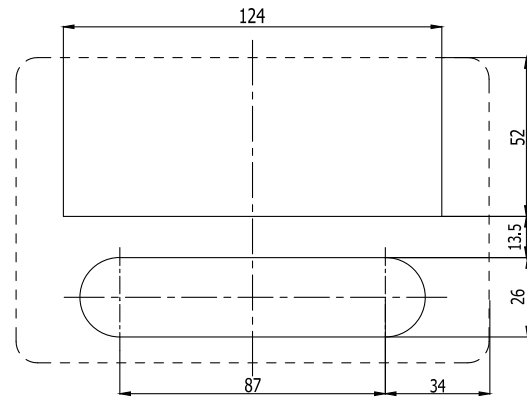


Sliding Glass Door Lock

Sliding Door Lock Suitable for 10 or 12mm Glass
Base Material: Brass



GLASS CUT-OUT



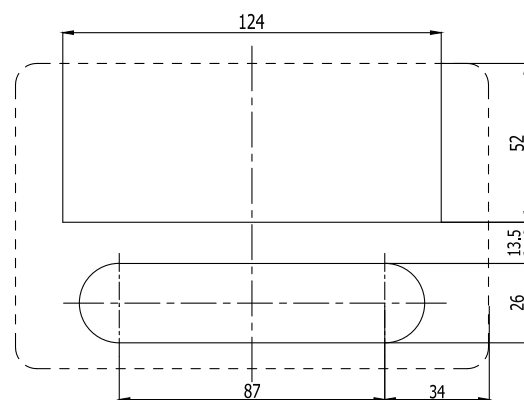
Finish	Article No.
Chrome Polished	911.26.202
Nickel Matt	911.26.206

Special Order

Strike Box for Double Door Suitable for 10, 12mm Glass
Base Material: Stainless Steel 304



GLASS CUT-OUT



Finish	Article No.
Chrome Polished	911.26.212
Nickel Matt	911.26.216

Special Order

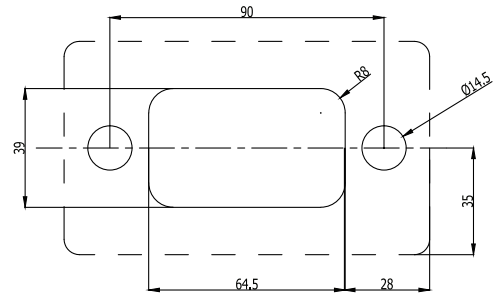
We reserve the right to alter specifications without notice (HIN Architectural Hardware 2015).

Flush Handles for Sliding Glass Doors

Base Material: Stainless Steel 304
Suitable for 10 or 12mm Glass



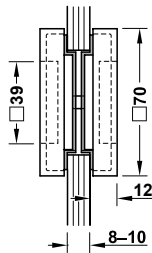
GLASS CUT-OUT



Finish	Article No.
SS Matt	981.20.140
SS Polished	981.20.141

Special Order

Flush pull handle

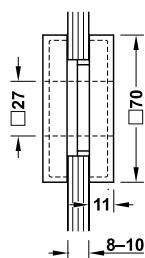
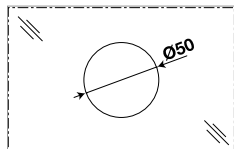


Features

- Area of application: For glass thickness 8–10mm
- Drill hole Ø: 50mm
- Installation: For clamp fixing

Material/Finish	Article No.
Aluminium stainless steel coloured anodized	981.49.340

Special Order

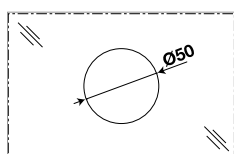


Features

- Area of application: For glass thickness 8–10mm
- Drill hole Ø: 50mm
- Installation: For clamp fixing

Material/Finish	Article No.
Aluminium stainless steel coloured anodized	981.49.330

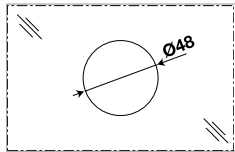
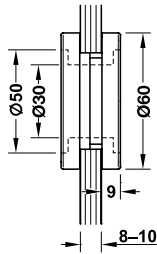
Special Order



5

We reserve the right to alter specifications without notice (HIN Architectural Hardware 2015).

Flush pull handle

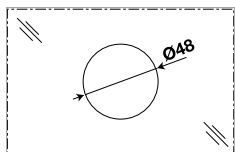
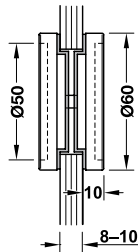


Features

- Area of application: For glass thickness 8–10mm
- Drill whole Ø: 48mm
- Installation: For clamp fixing

Material/Finish	Article No.
SS (304) matt	981.52.521

Special Order



Features

- Area of application: For glass thickness 8–10mm
- Drill whole Ø: 48mm
- Installation: For clamp fixing

Material/Finish	Article No.
SS (304) matt	981.52.531

Special Order

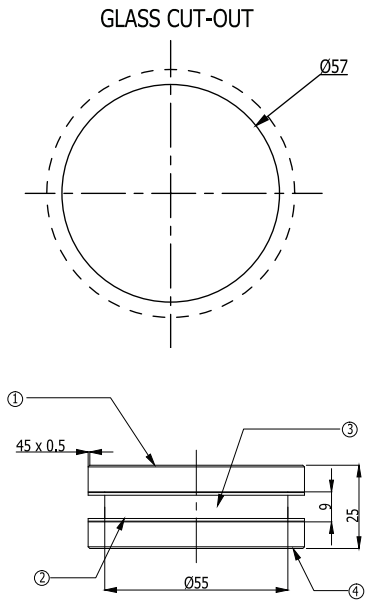
We reserve the right to alter specifications without notice (HIN Architectural Hardware 2015).

Glass Door Flush handles



Finish	Application	Article No.
SS Matt	For 8 mm glass	981.20.100
SS Matt	For 10/12 mm glass	981.20.102

Special Order

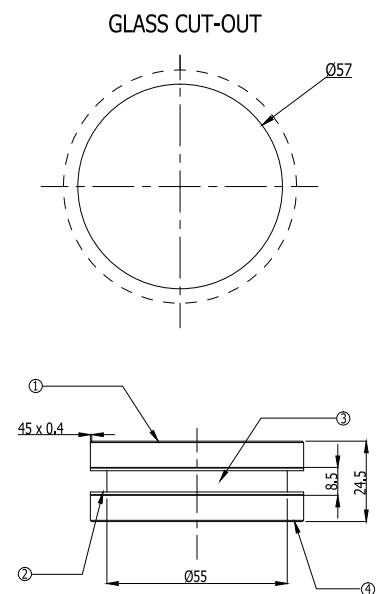


5



Finish	Application	Article No.
SS Matt	For 8mm glass	981.20.110
SS Matt	For 10/12mm glass	981.20.112

Special Order



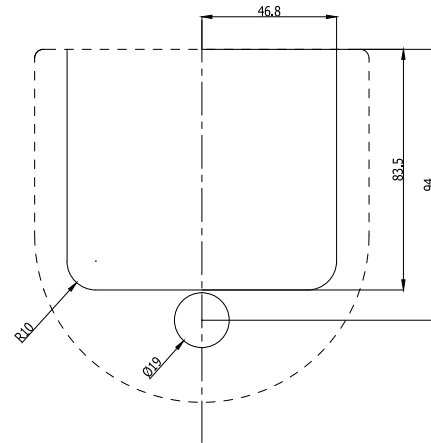
We reserve the right to alter specifications without notice (HIN Architectural Hardware 2015).

Sliding Glass Door Lock

Sliding Door Lock with Cylinder
Base Material: Aluminium
 Suitable for 10 or 12mm Glass



GLASS CUT-OUT



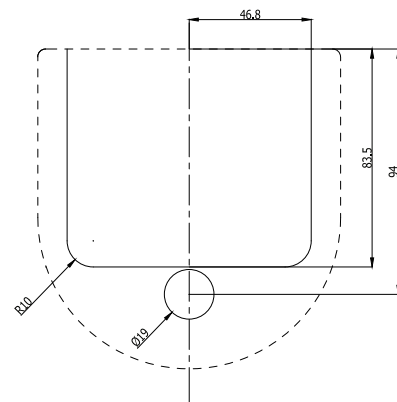
Finish	Article No.
Silver Colour	911.26.097

Special Order

Double Door Strike for Sliding Door Lock
Base Material: Aluminium



GLASS CUT-OUT



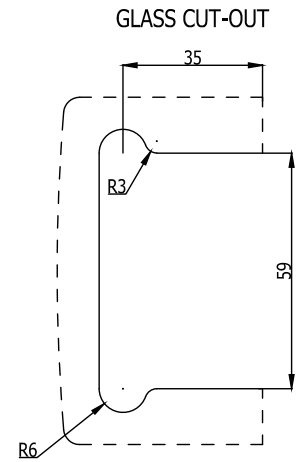
Finish	Article No.
Silver Colour	911.26.098

Special Order

We reserve the right to alter specifications without notice (HIN Architectural Hardware 2015).

WC Indicator Lock

WC Indicator Lock for Glass Doors for Single Doors
 (8 to 12mm Glass)

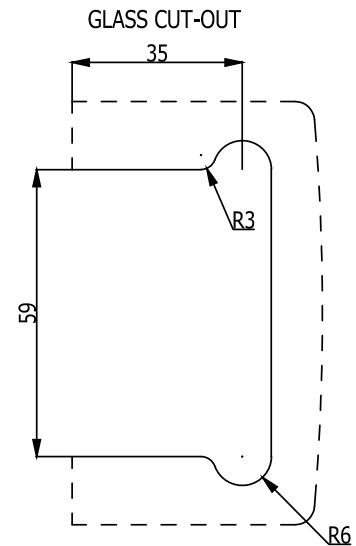
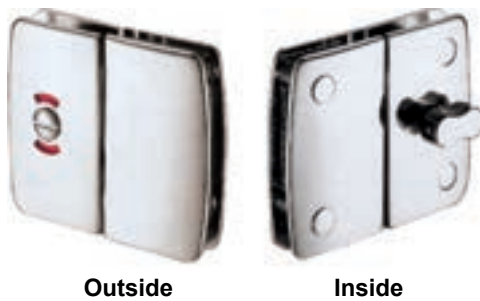


Finish	Article No.
Chrome Polished	911.12.045
Satin Chrome Polished	911.12.046

Special Order

5

WC Indicator Lock for Glass Doors for Double Door
 (8 to 12 mm Glass)



Finish	Article No.
Chrome Polished	911.12.047
Satin Chrome Polished	911.12.048

Special Order

We reserve the right to alter specifications without notice (HIN Architectural Hardware 2015).

Indicator Lockset (Without Glass cut-out)

Indicator Lock Without Cut-Out on Glass for Double Door
 (8 to 10 mm Glass)
Base Material: Brass



Finish	Article No.
Chrome Polished	981.42.912
Nickel Matt	981.42.916

Special Order

Lock Keeper for 981.07.336/332 Series Lock Without Cut-Out in
 Glass - simply clamps on suitable for 10, 12mm Glass



Finish	Article No.
Chrome Polished	981.07.336
Nickel Matt	981.07.332

Special Order

Indicator Lock Without Cut-Out on Glass for Single Door
 (8 to 10 mm Glass)
Base Material: Brass



Finish	Article No.
Chrome Polished	981.42.902
Satin Chrome Polished	981.42.906

Special Order

Side Mounted Deadbolt Lock Without Cut-Out in Glass -
 simply clamps on
 Suitable for 10, 12mm Glass



Finish	Article No.
Chrome Polished	981.07.320
Nickel Matt	981.07.321

Special Order

We reserve the right to alter specifications without notice (HIN Architectural Hardware 2015).

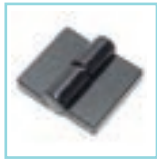
6

Toilet Partition Hardware





Nylon Partition



Self Closing Hinge.....6.3
Lockset (Turn & Indicator).....6.3
Adjustable Leg for 13mm.....6.3
Angle Bracket.....6.3
Header Bar.....6.4
Wall Bracket with Tube.....6.4
“T” Connector.....6.4
“L” Connector.....6.4
Panel Holder.....6.5
Door Knob.....6.5
Coat Hook.....6.5
Toilet Paper Holder.....6.5
Aluminium Profile6.5

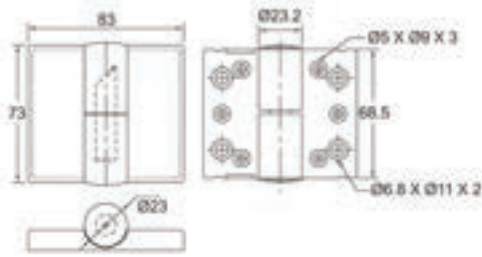
Lavabo Nylon Partition Hardware Fittings

Self Closing Hinge, Left and Right Hand, Flat Doors

(2 Active + 1 Normal)

Max. Door Weight - 30kg

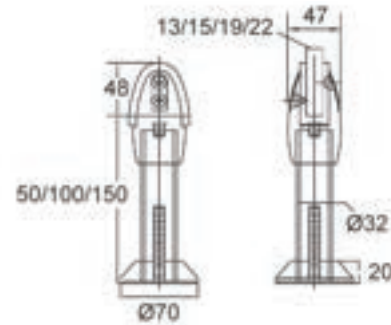
Max. Door Width - 700mm



Handling	Finish	Article No.
Left	Black	980.33.003
Right	Black	980.33.013
Left	Grey	980.33.005
Right	Grey	980.33.015

Special Order

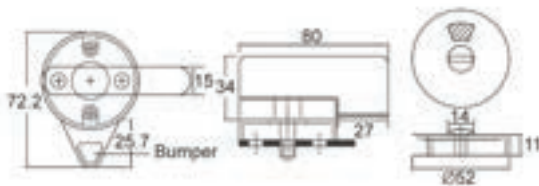
Adjustable Leg for 13mm



Finish	Article No.
Black	980.33.103
Grey	980.33.105

Special Order

Lockset (Turn & Indicator)



Finish	Article No.
Black	980.33.203
Grey	980.33.205

Special Order

Lavabo Nylon Partition Hardware Fittings

Angle Bracket (55 x 45mm)



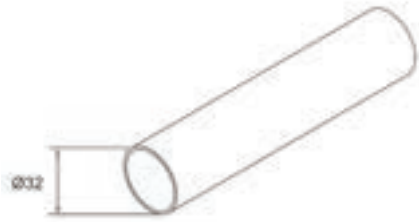
Finish	Article No.
Black	980.33.113
Grey	980.33.115

Special Order

We reserve the right to alter specifications without notice (HIN Architectural Hardware 2015).

Header Bar

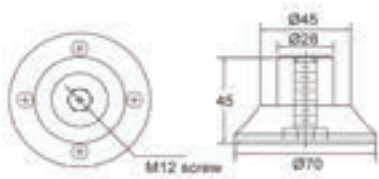
32mm ø



Finish	Size	Article No.
Alu. Black	2000 mm	980.33.303
Alu. Grey	2000 mm	980.33.305
Alu. Black	3000 mm	980.33.313
Alu. Grey	3000 mm	980.33.315

Special Order

Wall Bracket with Tube

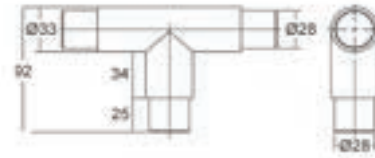


Finish	Article No.
Black	980.33.323
Grey	980.33.325

Special Order

Lavabo Nylon Partition Hardware Fittings

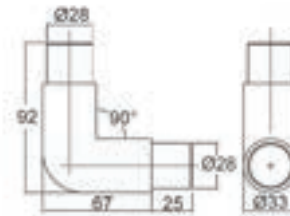
"T" Connector



Finish	Article No.
Black	980.33.333
Grey	980.33.335

Special Order

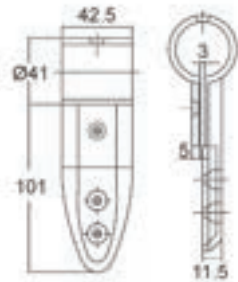
"L" Connector



Finish	Article No.
Black	980.33.343
Grey	980.33.345

Special Order

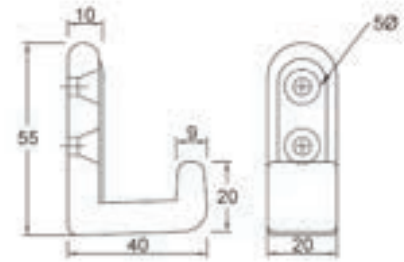
Panel Holder



Finish	Article No.
Black	980.33.353
Grey	980.33.355

Special Order

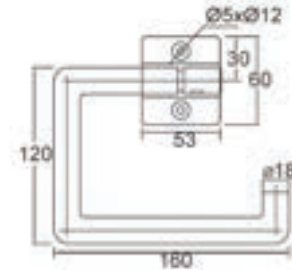
Coat Hook



Finish	Article No.
Black	980.33.403
Grey	980.33.405

Special Order

Toilet Paper Holder



Finish	Article No.
Black	980.33.413
Grey	980.33.415

Special Order

Lavabo Nylon Partition Hardware Fittings

Door Knob with Bumper



Finish	Article No.
Black	980.33.213
Grey	980.33.215

Special Order

Lavabo Nylon Partition Hardware Fittings

Aluminium Profile with Black rubber (for 13mm board), 1800mm



Finish	Article No.
Black	980.33.423
Grey	980.33.425

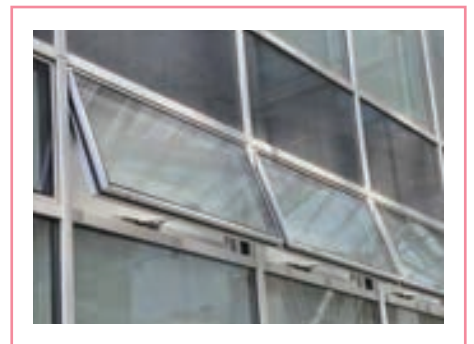
Special Order

We reserve the right to alter specifications without notice (HIN Architectural Hardware 2015).

7

Window Fittings







Window Friction Hinge.....7.4
Window Bolt System.....7.5
Window handles.....7.6

Häfele's range of efficient window systems represents convenience and functionality in day-to-day use. Our window hinge systems are available in window applications that may require a top hung installation or a side hinged installation. Catering to windows ranging from 8 to 24 inches wide, these hinge systems provide the flexibility of installing large or small windows as per the specific requirement of the customer. Made of grade 304 stainless steel, these hinge systems are highly durable even in the most corrosive environments. Complete with a host of window bolting systems for tall or short windows, Häfele's offering for window hardware holistically meets every possible requirement of its customers.



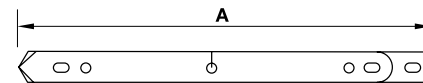
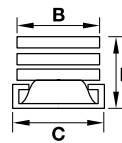
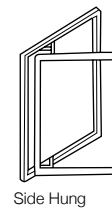
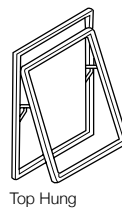
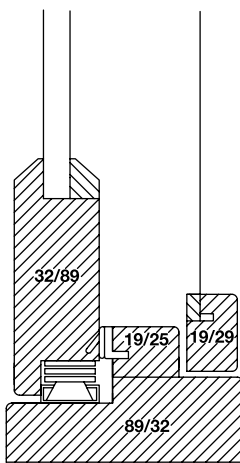
We reserve the right to alter specifications without notice (HIN Architectural Hardware 2015).

Window friction hinge - standard top hung and side hung StarTec



Features

- Manufacture from high grade austenitic stainless steel (304)
- Composite steel/ plastic slider for strength
- Durability and smooth operation
- Mainly used for light top projecting style domestic windows



Size mm	A mm	B mm	C mm	D mm	Max. vent width mm	Max. vent height mm	Max. vent weight kg	Opening angle	Article No.
Top hung windows									
203	203	16	18	14	1,200	350	11	60°	972.05.001
255	255	16	18	14		400	16	84°	972.05.002
305	305	16	18	14.5		550	18	85°	972.05.003
356	356	16	18	15.5		650	20	87°	972.05.004
406	406	19	22	16		750	40	87°	972.05.015
457	457	19	22	16		850	42	87°	972.05.016
509	509	19	22	16		1,000	45	42°	972.05.017
609	609	19	22	16		1,200	50	45°	972.05.019
Side hung windows									
305	305	16	18	14.5	600	1,200	18	85°	972.05.003
356	356	16	18	15.5	650	1,200	20	87°	972.05.004
406	406	19	22	16	700	1,200	32	87°	972.05.015

Window double bolt locking system



Description	Article No.
Locking Bolts for windows from 800-1100mm height, Satin Zinc	970.27.011
Locking Bolts for windows from 1100-1400mm height, Satin Zinc	970.27.014
Locking Bolts for windows from 1400-1700mm height, Satin Zinc	970.27.017
Locking Bolts for windows from 1700-2000mm height, Satin Zinc	970.27.020



Description	Article No.
Locking Plate for Frame Left Hand, Satin Zinc	970.27.030



Description	Article No.
Brass Lock Body, Satin Zinc	970.27.000



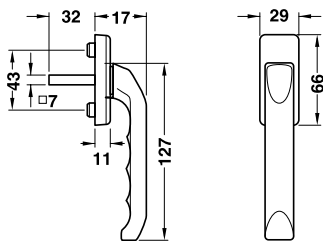
Description	Article No.
Locking Plate for Frame Right Hand, Satin Zinc	970.27.031



Description	Article No.
Brass Lever Handle 90° Travel locking Right Hand, Nickel Matt	970.32.496
Brass Lever Handle 90° Travel locking Right Hand, Brass Polished	970.32.491
Brass Lever Handle 90° Travel locking Right Hand, Chrome Polished	970.32.492
Brass Lever Handle 90° Travel locking Left Hand, Nickel Matt	970.32.486
Brass Lever Handle 90° Travel locking Left Hand, Brass Polished	970.32.481
Brass Lever Handle 90° Travel locking Left Hand, Chrome Polished	970.32.482

We reserve the right to alter specifications without notice (HIN Architectural Hardware 2015).

Window handles

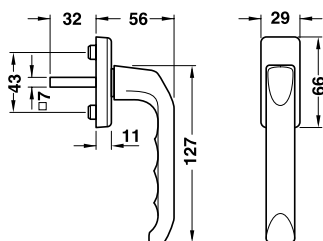


Features

- 90° ball catch mechanism for tilt and turn windows

Material/Finish	Article No.
Aluminium silver coloured	974.30.871
Aluminium white coloured	974.30.877

Special Order



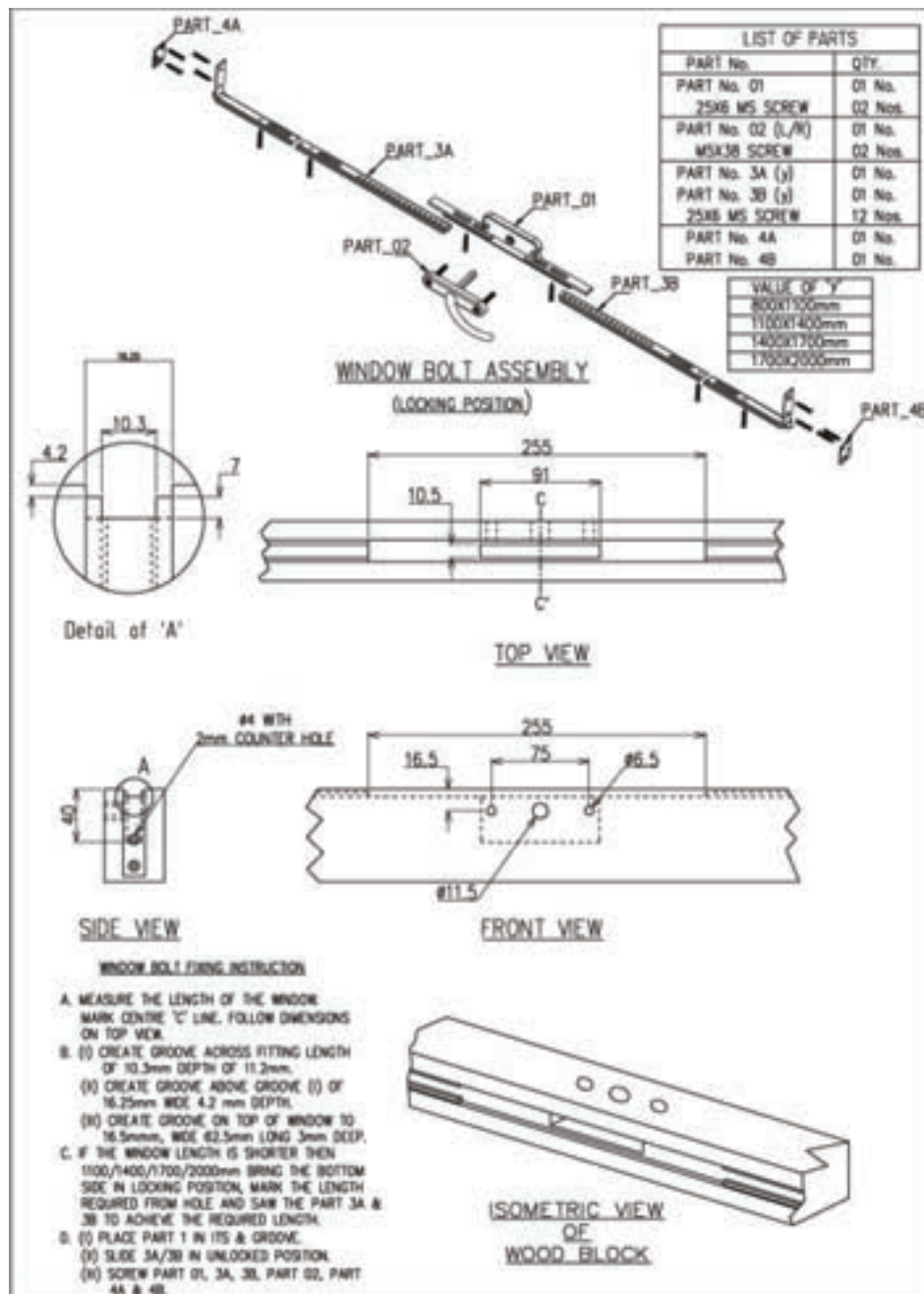
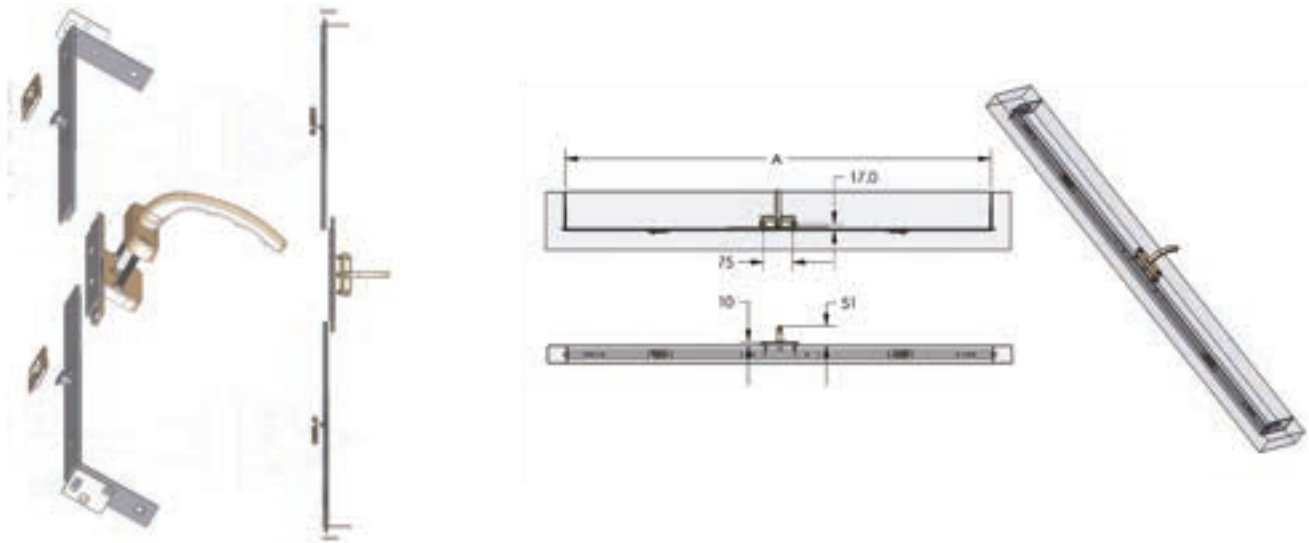
Features

- 90° ball catch mechanism for tilt and turn window

Material/Finish	Article No.
Aluminium silver coloured	974.30.201
Aluminium white coloured	974.30.209

Special Order

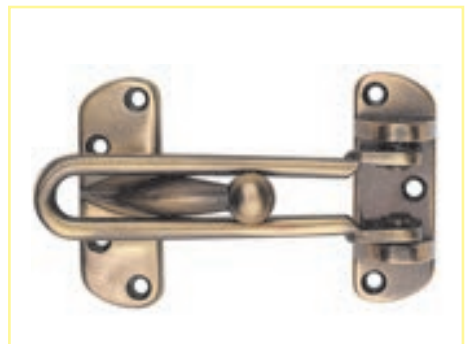
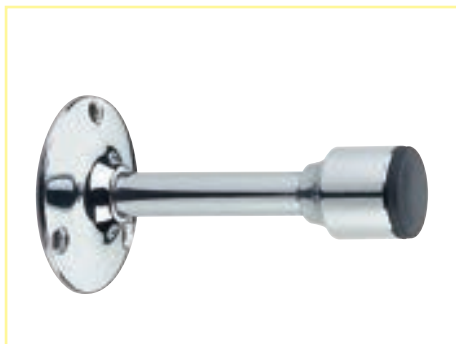
Window double bolt locking system



We reserve the right to alter specifications without notice (HIN Architectural Hardware 2015).

8

Door Accessories



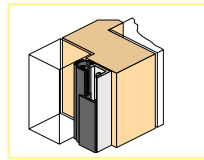
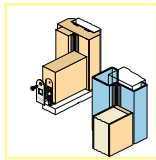
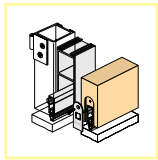


Door Stops



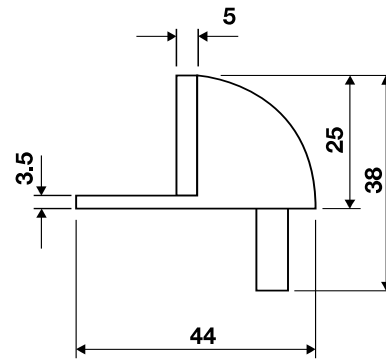
Floor Mounted Door Stopper Zinc Alloy.....8.3
Door Guards.....8.6
Accessories.....8.7
Push and Pull plate Startec.....8.9

Timber / Metal Door Seals



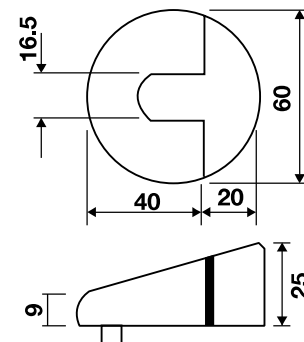
Automatic Drop Down Seals.....8.14
Self Adhesive Seals.....8.15
Acoustic Door Frame Seal.....8.18
Intumescent Fire Seals.....8.21

Floor Mounted Door Stopper Zinc Alloy



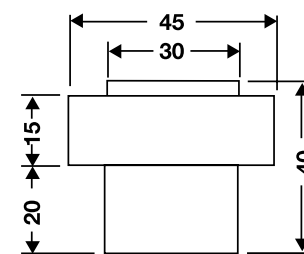
Finish	Article No.
Brass Polished	937.41.308
Nickel Matt	937.01.116
Chrome Polished	937.41.302

Zinc Alloy Door Stopper



Finish	Article No.
Nickel Matt	937.53.526
Chrome Polished	937.53.522

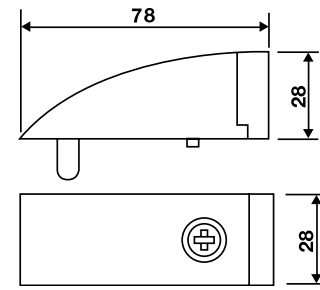
Door Stopper



Finish	Article No.
SS Matt/ Black Rubber	937.53.130

We reserve the right to alter specifications without notice (HIN Architectural Hardware 2015).

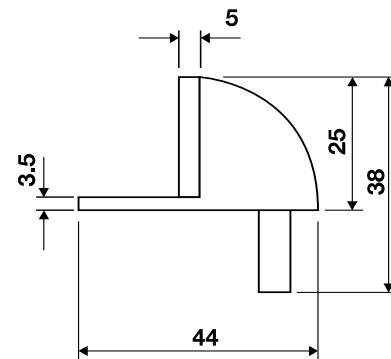
Floor Mounted Door Stopper



Finish	Article No.
SS Matt	937.53.590

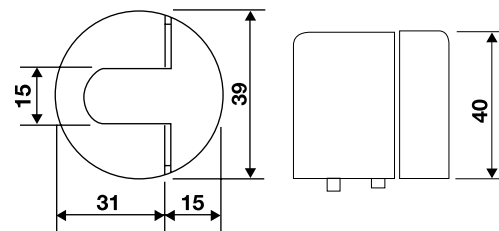
Special Order

**Floor Mounted Door Stopper
 Stainless Steel**



Finish	Article No.
SS Matt	937.55.140
SS Polished	937.55.141

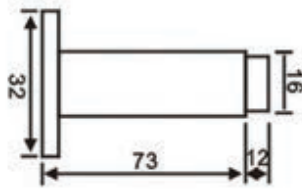
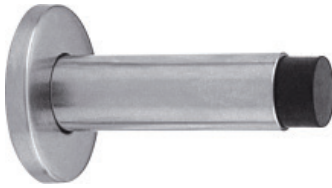
Floor Mounted Door Stopper



Finish	Article No.
SS Matt	937.51.770

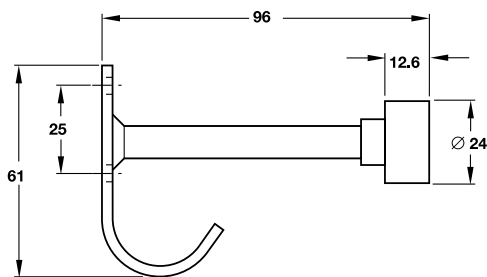
Special Order

Wall Mounted Door Stopper



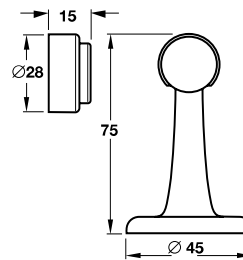
Finish	Article No.
SS Matt	937.13.530

Wall Door Stopper - Top mounted with hook



Finish	Article No.
SS Matt	938.10.400

Magnetic Door Stop



Features

- With magnetic adhesion mechanism

Finish	Article No.
Brass chrome plated polished	938.10.002
Brass matt	938.10.005
Brass nickel plated polished	938.10.007
Brass polished	938.10.008
Brass burnished	938.10.001

Special Order

We reserve the right to alter specifications without notice (HIN Architectural Hardware 2015).

Spring Loaded Security Chain

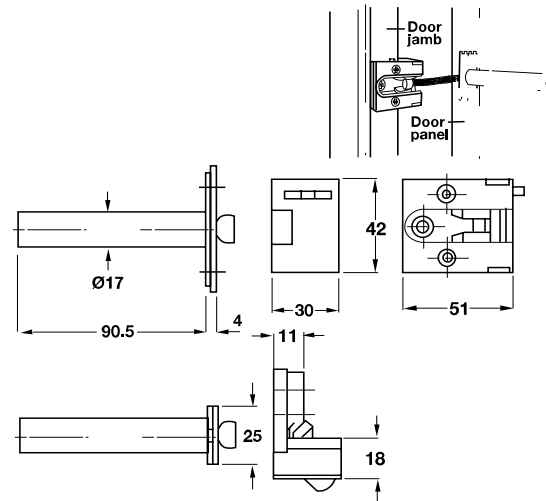


Features

- For timber door
- For inward opening doors

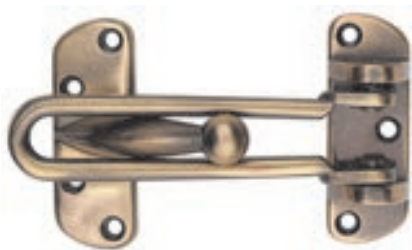
Supplied with

- 1 Door chain
- 1 Frame part
- 1 Set of fixing material



Finish	Article No.
Brass Polished	911.59.089
Nickel Matt	911.59.095
Chrome Polished	911.59.091

Security Door Guard

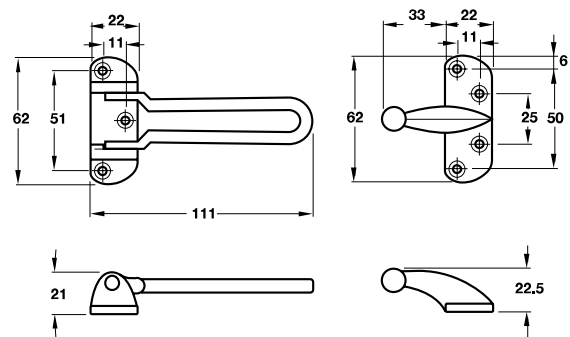


Features

- For timber doors
- For inward opening doors

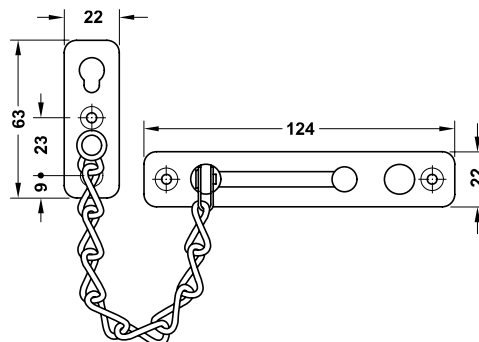
Supplied with

- 1 Door guard
- 1 Frame part with long head section
- 1 Set of fixing material



Finish	Article No.
Nickel Matt	911.59.156
Brass Polished	911.59.158
Antique Brass	911.59.151

Security door chain StarTec



Features

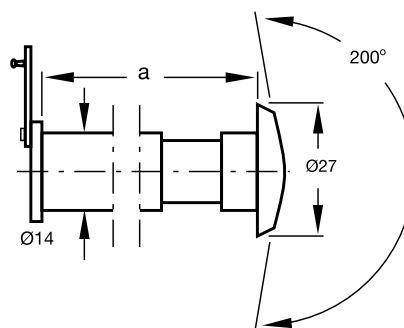
- For timber door
- For inward opening doors

Supplied with

- 1 Door chain
- 1 Set of fixing material

Finish	Article No.
Brass Polished	911.59.178
Chrome Polished	911.59.172

Door Viewer with flap



Features

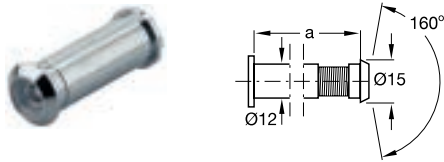
- Suitable for door thicknesses (a): 38–60mm
- With flap

Technical data

- Angle of vision: 200°

Finish	Article No.
Brass Polished	959.03.018
Nickel Matt	959.03.056
Chrome Polished	959.03.052

We reserve the right to alter specifications without notice (HIN Architectural Hardware 2015).



Features

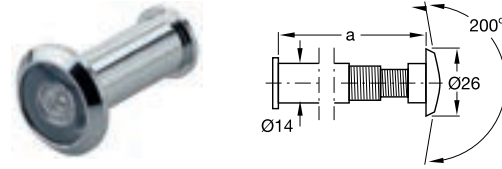
- Suitable for door thicknesses (a): 34–52 mm
- Telescopic version, without flap

Technical data

- Angle of vision: 160°
- Door drilling: 12 mm

Material/finish	Article No.
Brass chrome plated	959.01.020
Brass polished	959.01.021
Antique brass	959.01.022

Special Order



Features

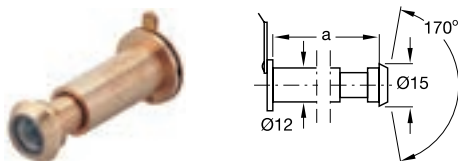
- Suitable for door thicknesses (a): 35–78 mm
- Telescopic version, without flap

Technical data

- Angle of vision: 200°
- Door drilling: 12 mm

Material/finish	Article No.
Brass chrome plated	959.01.010
Brass polished	959.01.011
Antique brass	959.01.012

Special Order



Features

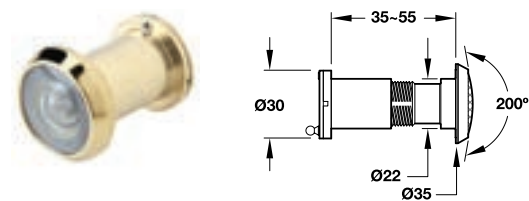
- Suitable for door thicknesses (a): 31–57mm
- With flap

Technical data

- Angle of vision: 170°
- Door drilling: 12 mm

Material/finish	Article No.
Brass chrome plated	959.00.001
Brass polished	959.00.002
Brass chrome plated polished	959.00.007
Brass nickel plated matt	959.00.000

Special Order



Features

- Suitable for door thicknesses (a): 30–45 mm
- With flap

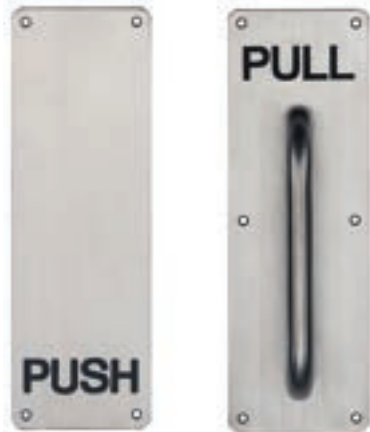
Technical data

- Angle of vision: 200°
- Door drilling: 22 mm

Material/finish	Article No.
Brass polished PVD	959.16.008



Special Order

Push and pull plate StarTec



Technical data

- Height x width: 300 x 100mm
- Thickness: 1.5mm
- Pull handle diameter: 19mm

Symbol		Stainless steel
	Push plate "PUSH"	987.11.300
	Pull plate "PULL" with pull handle	987.11.200

Special Order

Push plate StarTec



Technical data

- Rounded corners
- For screw fixing

Finish	Article No.
SS Matt	987.19.300

Special Order

Kick Plate / Trolley Plate

Size to be specified



Finish	Article No.
SS Matt	987.19.310

Special Order

We reserve the right to alter specifications without notice (HIN Architectural Hardware 2015).

Symbol

Female symbol plate



Finish	Ø	Article No.
SS Matt	76mm	987.10.200

Male symbol plate



Finish	Ø	Article No.
SS Matt	76mm	987.10.100

Handicapped symbol plate



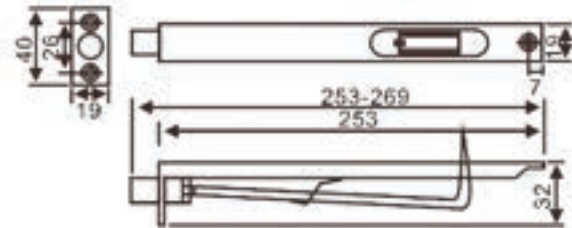
Finish	Ø	Article No.
SS Matt	76mm	987.10.300

Unisex symbol plate



Finish	Ø	Article No.
SS Matt	76mm	987.10.000

Lever action Flush bolt



Finish	Size	Article No.
Polished brass	19 x 200 mm	911.62.570
Polished brass	19 x 300 mm	911.62.572
Nickel matt	19 x 200 mm	911.62.571
Nickel matt	19 x 300 mm	911.62.573

Dust proof strike

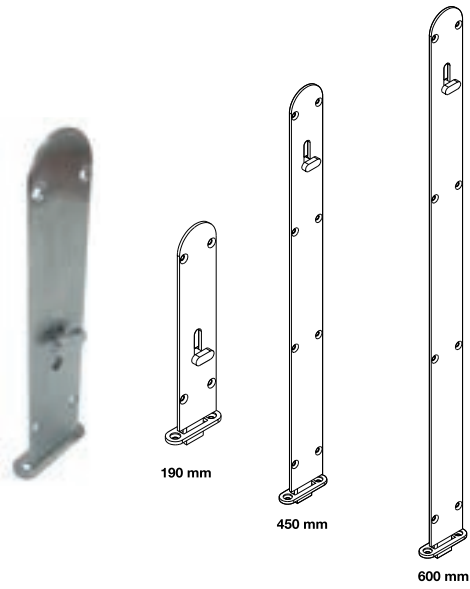
Finish: SS Matt (304)



Finish	Article No.
Brass polished	911.62.577
Nickel Matt	911.62.158

We reserve the right to alter specifications without notice (HIN Architectural Hardware 2015).

Concealed Flush bolt



Features

- With slide

Technical data

- Width: 41mm
- Stroke (a): 20mm

Supplied with

- 1 Slide flush bolt
- 1 Striking plate
- 1 Set of fastening material

Material/finish	Size A mm	Article No.
Stainless steel matt	190	911.62.670
	450	911.62.671
	600	911.62.672

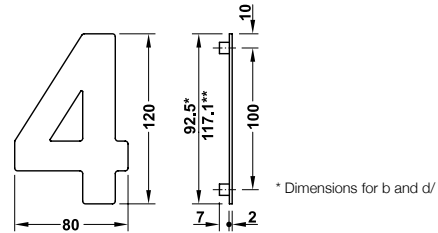
We reserve the right to alter specifications without notice (HIN Architectural Hardware 2015).

Door numbers StarTec



Stainless steel matt (304)

Brass polished PVD













* Dimensions for b and d/














Number/letter	Stainless steel matt (304)
0	987.21.100
1	987.21.110
2	987.21.120
3	987.21.130
4	987.21.140
5	987.21.150
6/9	987.21.160
7	987.21.170
8	987.21.180
a	987.21.200
b	987.21.210
c	987.21.220
d	987.21.230

Special Order

Häfele's range of Raven sealing systems are designed to meet the requirement of different interior and exterior applications and prevent infiltrations. The most common applications are as under:

Noise - Acoustic		These door seals help reduce the amount of sound that passes through a door-set
Fire & Smoke	   	These seals are used in conjunction with fire doors to meet various levels of fire/smoke safety
Weather & Energy	   	These seals are commonly used for exterior doors to prevent the infiltration of draughts, rainwater, insects/rodents, light etc.
Access & Mobility		These seals are drop-down seals that automatically drop down once the door shuts and lift once the door opens to allow easy mobility

Icon Key:

Noise	Cold Smoke	Medium Temperature Smoke	Fire & Hot Smoke	Fire	Weather	Energy	Insects/Rodents	Light	Access	Heavy Duty Seals	Medium Duty Seals	Light Duty Seals
												



ecospecifier
global

green community
trust brands

advise.verify.market.connect

Verified Product Certificate

This is to confirm that the following product has been verified as meeting the Ecospecifier Verified Product Standard and is approved for inclusion on ecospecifier.com.

A Green Building Scheme Pre-Assessment has been conducted and found this product is likely to contribute to the achievement of Green Building rating tool credits.

COMPANY **Raven Products**
PRODUCT **Doors and Window Sealing Systems**
VALID TO **19/05/2015**

Ecospecifier's role is:

- ✓ To provide a third party, independent and unbiased assessment of information provided by manufacturers and other sources.
- ✓ To assess products using International Standards, independent test data, third party research and expert opinion.
- ✓ To determine if products are eco and health preferable based on the premise that:
 - they exhibit one or more eco or health preferable characteristic compared to other products in their category; or
 - they are a member of a product category that is in itself an eco or health preferred category; and
 - they do not contain 'significant' ecological or health damaging content.

Certified by Ecospecifier Pty Ltd per

David Baggs | Technical Director
Chartered Architect, FAIA, ABSA, Green Star AP, LEED AP

www.ecospecifier.com

This assessment is current only to the valid date and shall not be reproduced in part at any time. Please refer to the Ecospecifier website for current detailed product listing information. © Ecospecifier 2014

CERTIFICATE OF COMPLIANCE

Certificate Number 20140828-R37913
Report Reference R27802-20140822
Issue Date 2014-AUGUST-28

Issued to: RAVEN PRODUCTS PTY LTD
18-22 ALDERSHOT RD
PO BOX 67, LONSDALE
5160 AUSTRALIA



This is to certify that representative samples of GASKETING MATERIALS FOR FIRE DOORS ;
GASKETING AND EDGE-SEALING MATERIALS FOR
FIRE DOORS, POSITIVE-PRESSURE TESTED
"See Addendum Page"

Have been investigated by UL in accordance with the
Standard(s) indicated on this Certificate.

Standard(s) for Safety: ANSI/UL 10C - Positive Pressure Fire Tests of Door
Assemblies
ANSI/UL 10B - Fire Tests of Door Assemblies
CAN/ULC S104 - FIRE TESTS OF DOOR ASSEMBLIES

Additional Information: See the UL Online Certifications Directory at
www.ul.com/database for additional information

Only those products bearing the UL Classification Mark for the U.S. and Canada should be considered as being covered by UL's Classification and Follow-Up Service and meeting the appropriate U.S. and Canadian requirements.

The UL Classification Mark includes: the UL in a circle symbol:  with the word "CLASSIFIED" (as shown); a control number (may be alphanumeric) assigned by UL; a statement to indicate the extent of UL's evaluation of the product; and the product category name (product identity) as indicated in the appropriate UL Directory. The UL Classification Mark for Canada includes: the UL Classification Mark for Canada:  with the word "CLASSIFIED" (as shown); a control number (may be alphanumeric) assigned by UL; a statement to indicate the extent of UL's evaluation of the product; and the product category name (product identity) in English, French, or English/French as indicated in the appropriate UL Directory.

Look for the UL Classification Mark on the product.

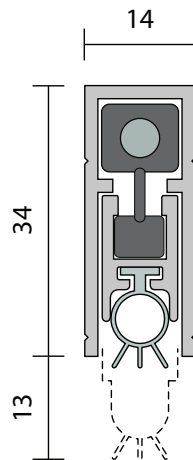
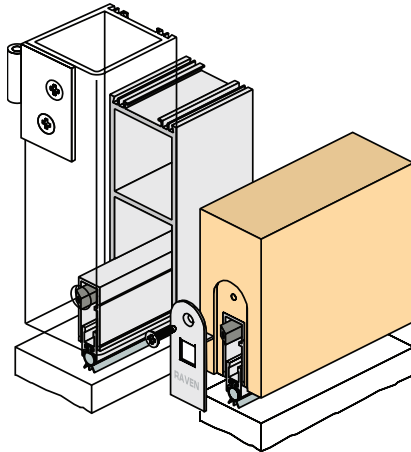


William R. Carney, Director, North American Certification Programs
UL LLC

Any information and documentation involving UL Mark services are provided on behalf of UL LLC (UL) or any authorized licensee of UL. For questions, please contact a local UL Customer Service Representative at www.ul.com/contact



Automatic Drop Down Seal



Special Features :

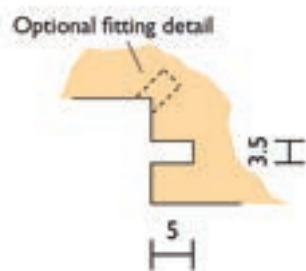
- Standard Finish: Satin Aluminum
- Seal Material: Silicon Rubber (Self Extinguishing)
- Acoustic, Fire & Smoke, Energy FRL & FRR -/240/60 and FD240
- Tested to over 1,000,000 operating cycles

Application:

Fully Mortised on single and double butt hinged door

Size	Cut to size	Article No.
920mm	820mm	950.06.301
1070mm	920mm	950.06.302
1220mm	1070mm	950.06.303
820mm	600mm	950.06.304
600mm	380mm	950.06.305

Compression Silicon Weather Seal



Special Features :

- Seal Material: Silicon Rubber (White, Brown and Black)
- Weather and Acoustic
- Compression: 1 - 2mm

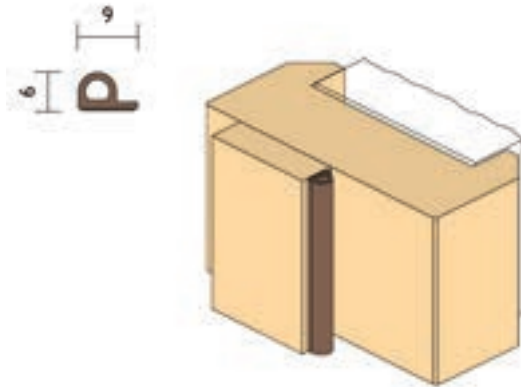
Application:

Deep Kerf Groove, push-in locking fit on door frames

Size	Article No.
2500mm	950.07.60201

We reserve the right to alter specifications without notice (HIN Architectural Hardware 2015).

Self Adhesive Seal



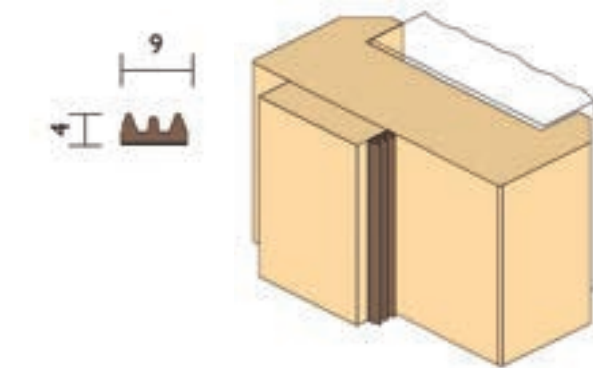
Special Features:

- Self-adhesive
- EPDM closed cell sponge (Brown)

Application: Around door frames

Finish	Article No.
Brown	950.06.331

Self Adhesive Seal



Special Features :

- **Seal Material :** EPDM closed cell sponge (White, Brown or Grey)
- Acoustic, Fire & Smoke, Energy
- **Gap Coverage:** 2 mm (min)– 4 mm (max)

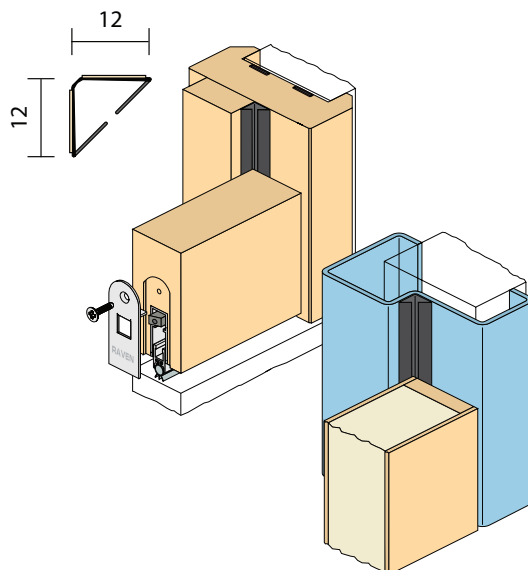
Application: Around door frames

Supplied with

Side seals X 2

Seal Size	Finish	Article No.
2 X 2500mm	Brown	950.06.33101

Delta Seal™ Acoustic & Smoke Door Frame Seal



Special Features:

- **Seal Material:** PVC
- Acoustic, Fire & Smoke, Energy
FRL & FRR -/240/30 and FD240
- **Gap Coverage:** 3mm (min)– 5.5 mm (max)

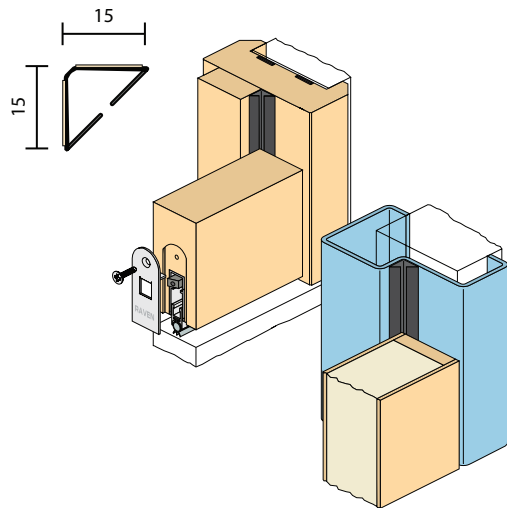
Application: Around rebated frames of single and double broad butt hinged doors (Self Adhesive)

Supplied with

- Side seals X 2
- Top seal X 1

Seal Size	Finish	Article No.
2100mm X 2 1000mm X 1	Black	950.35.11101

Delta Seal™ Acoustic & Smoke Door Frame Seal



Special Features:

- Seal Material: PVC
- Standard Finish: Aluminum Anodized, Satin Clear & Bronze
- Gap Coverage: 3mm (min)– 5.5 mm (max)
- Approvals: Acoustic, Fire & Smoke, Energy FRL & FRR -/240/30 and FD240

Application: Around rebated frames of single and double butt hinged doors (Self Adhesive)

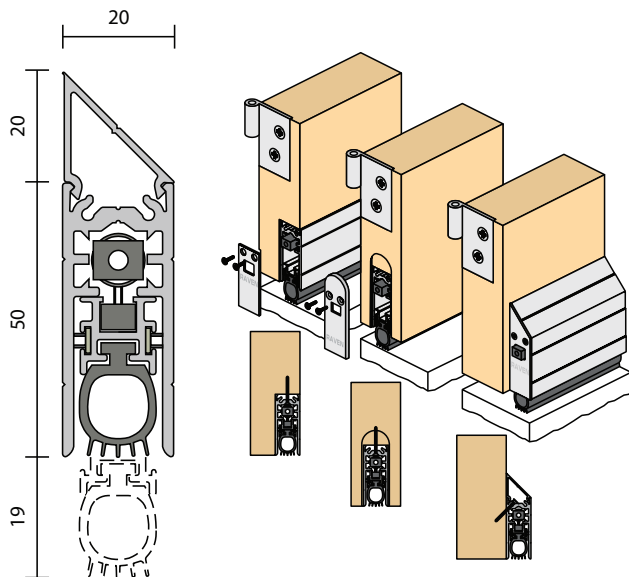
Supplied with:

- Side seals X 2
- Top seal X 1

Seal Size	Article No.
2100mm X 2 1000mm X 1	950.35.12101

Special Order

Acoustic Door Bottom Seal



Special Features :

- Standard Finish: Satin Clear
- Seal Material: Silicon Rubber and Aluminium
- Acoustic, Fire & Smoke, Energy FRL & FRR -/240/60 and FD240
- Tested to over 1,000,000 operating cycles
- Gap Coverage: 1mm (min)– 19mm (max)

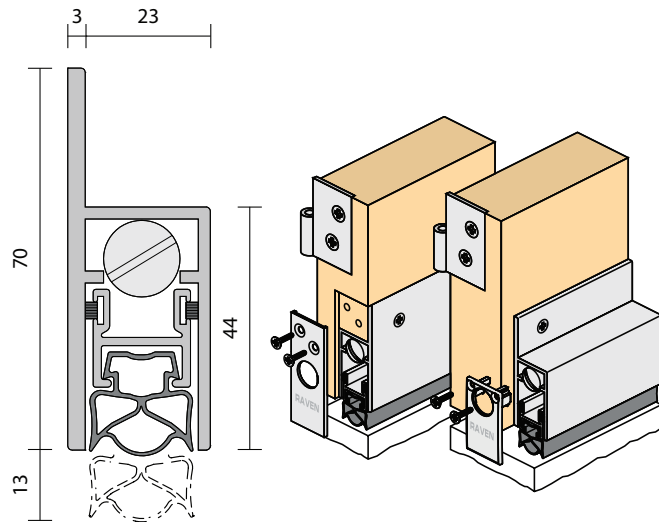
Application: Fully Mortised, Semi Mortised or Face Mounted on single and double butt hinged door, minimum door thickness 45mm

Seal Size	Cut to size	Article No.
920 mm	610mm	950.17.13101
1070 mm	920mm	950.17.13102

Special Order

We reserve the right to alter specifications without notice (HIN Architectural Hardware 2015).

Reversible Acoustic Door Bottom Seal



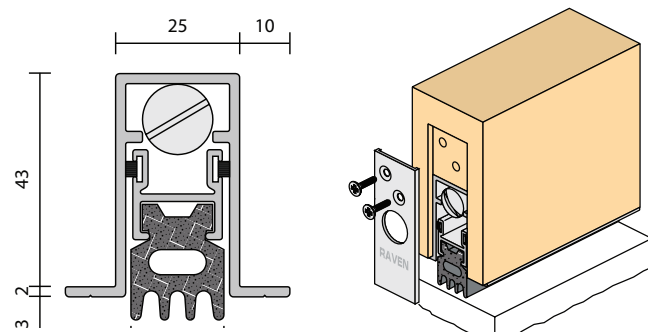
Special Features :

- Standard Finish: Satin Aluminium
- Seal Material: Silicon Rubber and Aluminium
- Acoustic, Fire & Smoke, Energy FRL & FRR -/240/60 and FD240
- Tested to over 1,000,000 operating cycles
- Gap Coverage: 3mm (min)- 13mm (max)

Application: Semi Mortised or Face Mounted on single and double butt hinged door

Seal Size	Cut to size	Article No.
920mm	610mm	950.17.90001
1070mm	920mm	950.17.90002

Reversible Acoustic Door Bottom Seal



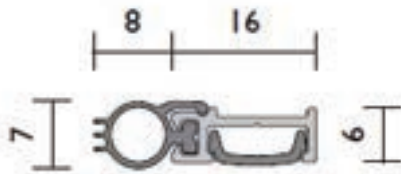
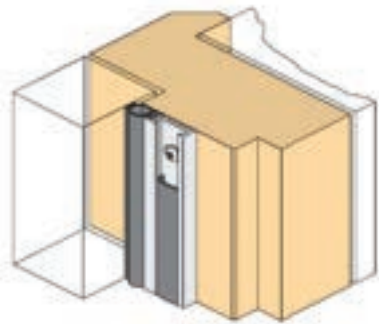
Special Features :

- Standard Finish: Satin Clear
- Seal Material: Silicon Rubber and Aluminium
- Acoustic, Fire & Smoke, Energy FRL & FRR -/240/60 and FD240
- Tested to over 1,000,000 operating cycles
- Gap Coverage: 3mm (min)- 13mm (max)

Application: Fully Mortised on single and double butt hinged door, minimum door thickness 45mm

Seal Size	Cut to size	Article No.
920mm	610mm	950.17.90003
1070mm	920mm	950.17.90004

Acoustic Door Frame Seal



Special Features :

- Standard Finish: Satin Clear
- Seal Material: Silicon Rubber and Aluminium
- Acoustic, Fire & Smoke, Energy FRL & FRR -/240/60 and FD240
- Gap Coverage: Up to 6mm

Application: Head and jambs of single and double broad butt hinged doors

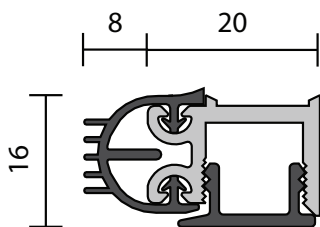
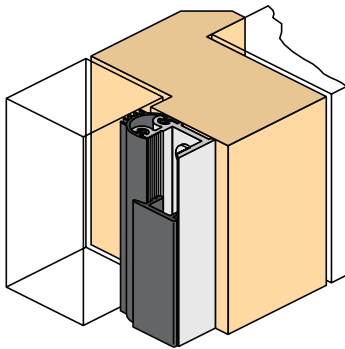
Supplied with

- Side seals X 2
- Top seal X 1

Seal Size	Article No.
2100mm X 2 1000mm X 1	950.17.99301

Special Order

Acoustic Door Stop Frame Seal



Special Features:

- Seal Material: PVC
- Standard Finish: Silicon Rubber and Aluminium
- Gap Coverage: up to 10 mm
- Approvals: Acoustic, Fire & Smoke, Energy FRL & FRR -/240/30 and FD240

Application: Head and jambs of single and double broad butt hinged doors

Supplied with:

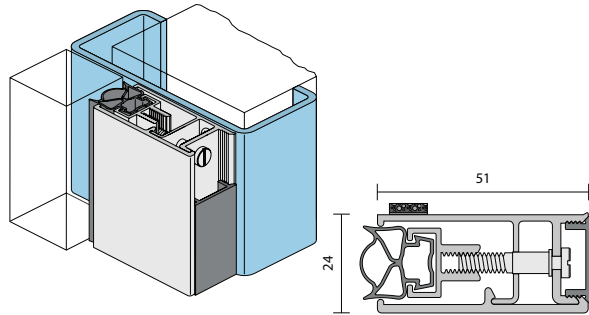
- Side seals X 2
- Top seal X 1

Seal Size	Article No.
2100mm X 2 1000mm X 1	950.35.02101

Special Order

We reserve the right to alter specifications without notice (HIN Architectural Hardware 2015).

Adjustable Door Stop Seal



Special Features:

- Seal Material: Silicon Rubber and Aluminium
- Standard Finish: Satin Clear
- Gap Coverage: up to 8 mm
- Approvals: Acoustic, Fire & Smoke, Energy
FRL & FRR -/120/30 and FD120

Application: Around rebated frames of single and double broad butt hinged doors (Self Adhesive)

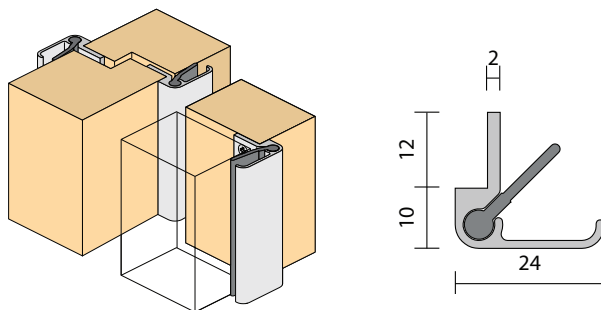
Supplied with:

- Side seals X 2
- Top seal X 1

Seal Size	Article No.
2100mm X 2 1000mm X 1	950.35.03001

Special Order

Smoke & Acoustic Astragal Seal



Special Features :

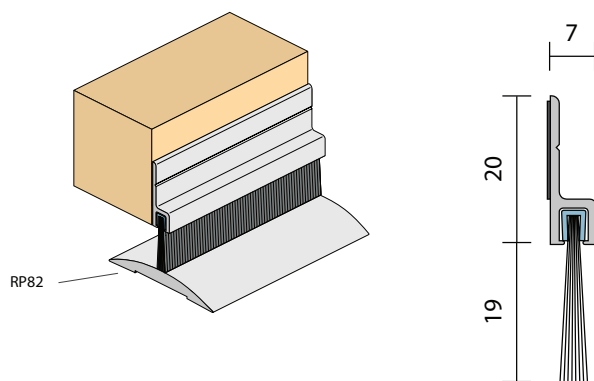
- Seal Material: Silicon Rubber and Aluminium
- Standard Finish: Satin Clear
- Gap Coverage: 2.5mm (min)-8mm (max)
- Approvals: Acoustic, Fire & Smoke, Energy

Application: Meeting stiles of double butt hinged doors

Seal Size	Article No.
2250mm	950.35.030

Special Order

**Nylon Brush Strip Seal with Aluminium Carrier
 (Solving Draught)**



Special Features :

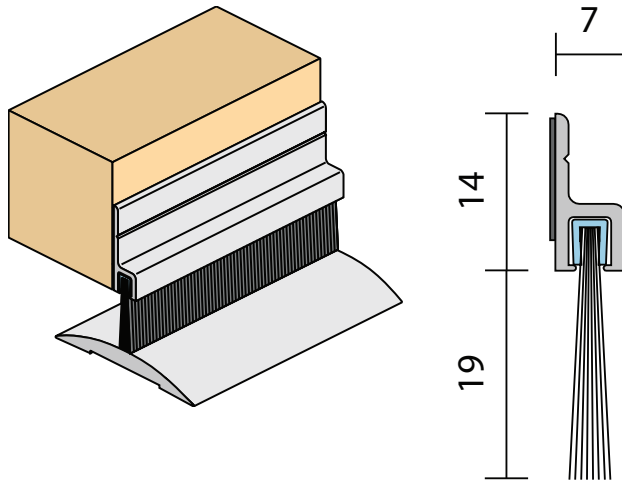
- Seal Material: Fine, dense, black nylon filaments and Aluminium
- Standard Finish: Satin Clear
- Gap Coverage : Up to 19mm

Application: Door bottoms, single, double or sliding, double acting (Self Adhesive)

Seal Size	Article No.
1000mm	950.06.60205

Special Order

Nylon Brush Strip Seal with Aluminium Carrier (Solving Draught)



Special Features :

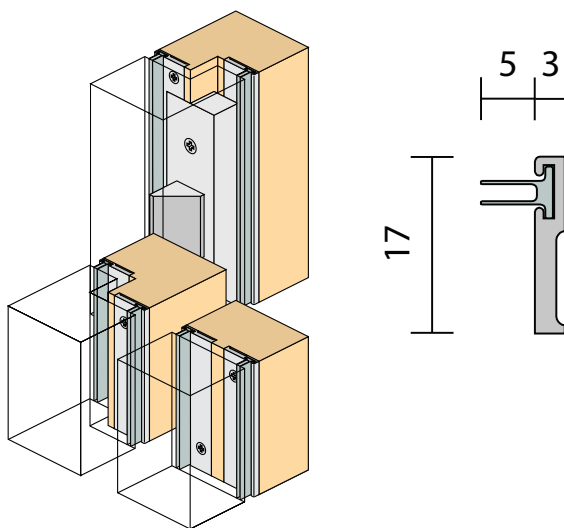
- Seal Material: Fine, dense, black nylon filaments
- Standard Finish: Satin Clear
- Gap Coverage : Up to 19mm

Application: Door bottoms, single, double or sliding, double acting, meeting stiles (Self Adhesive)

Seal Size	Article No.
1000mm	950.06.60204

Special Order

Smoke & Acoustic Astragal Seal



Special Features :

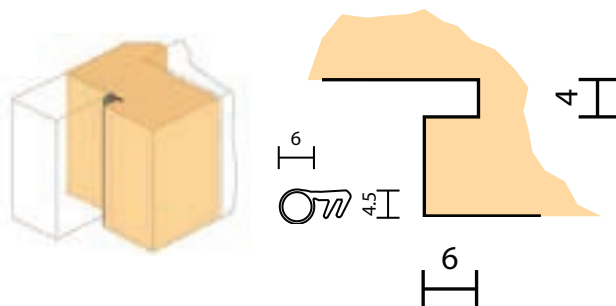
- Seal Material: Silicon Rubber and Aluminium
- Standard Finish: Satin Clear
- Gap Coverage: 3mm (min)– 5mm (max)
- Approvals: Acoustic, Fire & Smoke, Energy

Application: Double butt hinged and centre pivot double acting doors double acting, meeting stiles (Self Adhesive)

Seal Size	Article No.
1000mm	950.17.98201

Special Order

Acoustic Door Frame Seal



Special Features :

- Seal Material: Silicon Rubber (White, Brown and Black)
- Weather and Acoustic
- Compression: 1- 2mm

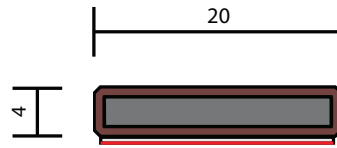
Application: Deep Kerf Groove, push-in locking fit on Door frames

Seal Size	Article No.
2500mm	950.07.60201

Special Order

We reserve the right to alter specifications without notice (HIN Architectural Hardware 2015).

Intumescent Fire Seal



Special Features :

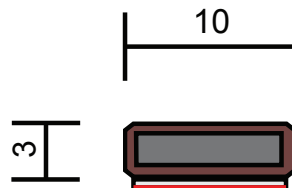
- Seal Material: Intumescent infill with rigid PVC holders (Brown or White)
- Approvals: Fire & Smoke
- Fire Rated for 60 minutes

Application: Mortised into the door or frame stiles and head (Self Adhesive)

Seal Size	Article No.
2100mm	950.06.37102

Special Order

Intumescent Fire Seal



Special Features :

- Seal Material: Intumescent infill with rigid PVC holders (Brown or White)
- Approvals: Fire & Smoke
- Fire Rated for 30 minutes

Application: Mortised into the door or frame stiles and head (Self Adhesive)

Seal Size	Article No.
1000mm	950.06.371

Imprint

This catalogue is only intended for use by the recipient.
All constituents of the catalogue are the property of Häfele.

Reprint of the catalogue or extracts thereof, reprinting or imitation
of the illustrations or imitation of the design is forbidden.

The technical representations and dimensional information in this
catalogue are non-binding, including those in the illustrations and
drawings. Right reserved to make design improvements.
All dimensions in mm unless otherwise specified.

No liability accepted for printing errors and mistakes made during
the production of the catalogue.

All deliveries will be made in accordance with Häfele terms and conditions of sale.

Issued by:
Häfele India Pvt. Ltd.
Office no.03, Building "A", BETA,
I Think Techno Campus, Off J.V.L.R
Kanjurmarg Station, Kanjurmarg (E)
Mumbai-400042.

Tel.: +91 22 6142 6100
Fax: +91 22 6695 0922
Internet: www.hafele.com
Email: info@hafeleindia.com
February 2015
© by Häfele India.
All rights reserved.
Printed in Mumbai.



Mumbai Design Centre:

#2 Filix Building, Opp. Asian Paints,
L.B.S. Marg, Bhandup (West),
Mumbai - 400 078.
Tel.: 022 2596 6728 / 2596 9689 /
2596 9660 / 2596 8265 / 2596 9787

Mumbai Corporate Office:

Office No. 3, Buliding "A", BETA,
I Think Techno Campus, Off J.V.L.R.,
Opp. Kanjurmarg East, Mumbai - 400 042.
Tel.: 022 6142 6100 • Fax: 022 6702 0531

New Delhi Design Centre:

D-89 , 1st Floor , Okhla Phase-I,
New Delhi - 110 020.
Tel.: 011-66574999 • Fax: 011-41605482

Bangalore Design Centre:

No. 2/1, "Shiv Manor",
Langford Road, Shanthi Nagar,
Bangalore - 560 027.
Tel.: 080 4132 6116 • Fax: 080 4132 6226

Hyderabad Design Centre:

Park Side, 8-2-348/3/4, Road No. 3,
Above Almond House, Banjara Hills,
Hyderabad - 500 034.
Tel.: 040 6666 8851 • Fax: 040 6666 8852

Kolkata Design Centre:

PS Pace Premises, No. 1/1A
Mahendra Roy Lane, Topsia, Kolkata 700046
Mobile: 033-40086814 / 033-40089268
Fax: 033 24988020

Chennai Design Centre:

New No. 20, (Old No. 63), 1st Main Road,
Besant Nagar, Chennai - 600 090.
Tel.: 044 - 4215 1542 • Fax: 044 2446 0922

Pune Office:

Office No. 12, Vastushree Complex,
Survey No.587, Near Hyde Park,
Gultekdi, Market Yard, Pune - 411 037.
Tel.: 020 2426 6264 • Fax: 020 2426 6274

Sri Lanka Design Centre:

448, Galle Road, Rawathawatta, Moratuwa
Tel.: +94 112 644 600
Fax: +94 112 644 600

Bangladesh:

Tilottama Design Studio
Road : 138, House : 8/A, Gulshan 1,
Dhaka - 1212
Tel.: 880-2-9886526 • Mob: 8801-672434394

Nepal

Monika Home Decor
Kathmandu Plaza, Kamalldhi,
Kathmandu, Nepal
Tel.: +977 9851 030 556/ +977 9818496082

Bhutan

S C & K Marketing and Sales
First Floor, Hotel 89 Building
Chorten Lam, Thimphu, BHUTAN
Tel.: 975 2 333419 / 77114228 / 17600663







Architectural Hardware

HÄFELE